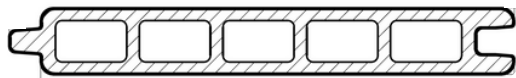


## Fencing Board UH24



Tolerance: +/-0.5 mm  
0.8 in (21 mm)

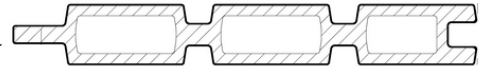


6.3 in (160 mm)  
Tolerance: +/-2 mm

## Fencing Board UH66



Tolerance: +/-0.5 mm  
0.8 in (21 mm)



6.3 in (160 mm)  
Tolerance: +/-2.5 mm

### UH24 STANDARD COLOURS



IPE



TEAK



RED CEDAR



ANTIQUE



SILVER GRAY

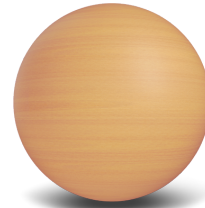


CHARCOAL

### UH66 STANDARD COLOURS



TEAK

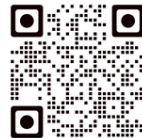


RED CEDAR



SILVER GRAY

PDF FILE  
INSTALLATION GUIDE



WEBPAGE  
FENCING



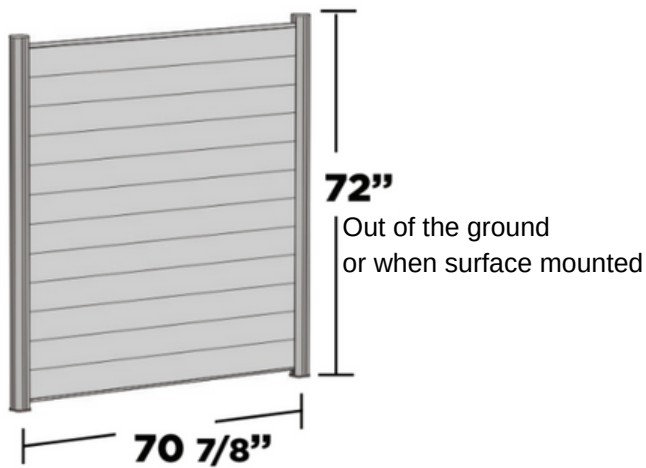
NewTechWood  
CANADA



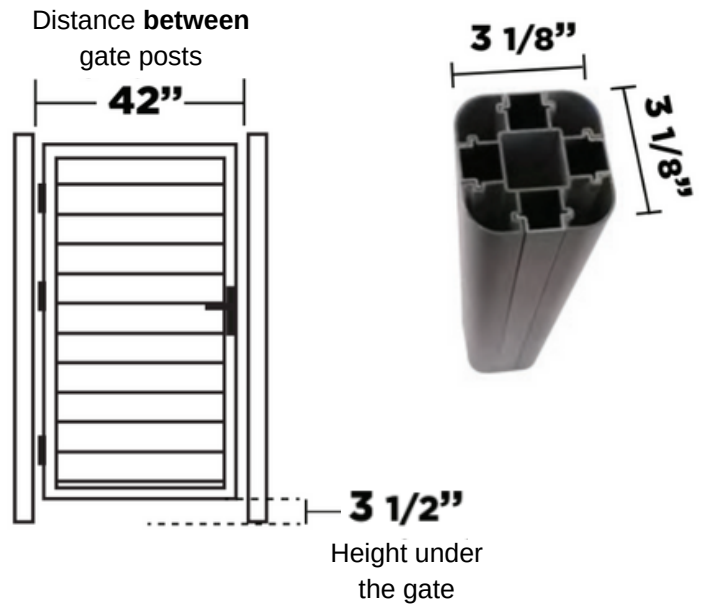
### FEATURES FENCE BOARDS

- Made from 95% recycled materials
  - Beautiful brushed wood finish
  - Matches with other NewTechWood products
  - Maintenance-free, UV-resistant
- ### FENCE SYSTEM
- Durable aluminum extrusion
  - Pre-assembled gate

## GENERAL DIMENSIONS

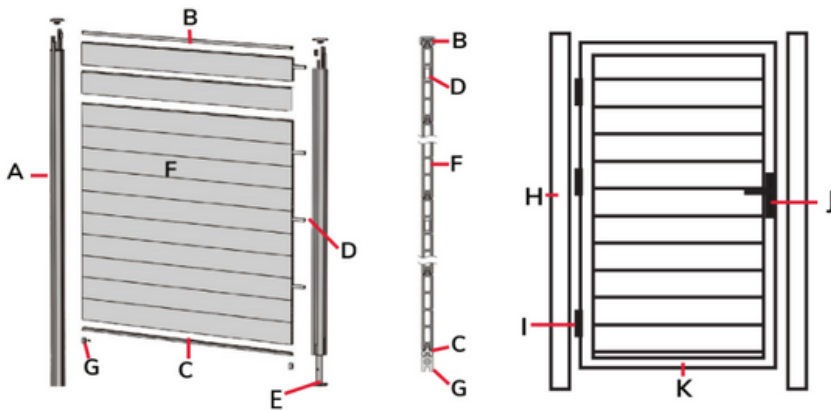


Standard distance, post **center** to post **center** when everything is installed with standard accessories.  
All boards and accessories can be cut down to the desired length.



## FENCE POST SIZE

## CONTENTS



- A - Fence post.** Comes in a 9-foot length for installation in concrete. It can also be cut to 6 feet for a surface-mounted installation (see E).
- B - Satin black top finishing trim.**
- C - Satin black bottom starting trim.**
- D - Metal reinforcement tubes.**
- E - Post feet,** optional, needed only for surface-mounted installations.
- F - Fence board** (need 12 per full panel).
- G - Stopper** with screw.
- H - Gate fence post** (kit of 2 posts, 9 feet).
- I - Hinges** (3).
- J - Contemporary handle** with lock and keys.
- K - Fence gate.** Pre-assembled. Includes satin black frame and fence boards

## PART NUMBERS WHAT'S INCLUDED

### FPGR-2740

1 x 9 feet post with 4 sliders and cap (A)

### ST-1760-4

4 x Reinforcement metal tubes (D)

### FSE-A-1760

1 x Satin black top finishing trim (B)  
1 X Satin black bottom starting trim (C)  
2 x Stoppers with screws (G)

### UH24/UH66-XX\*

1 unit Fence board (F)

### FN0219

1 x Post feet (E)

### AP16-2

2 x Gate posts, 9 feet, with 3 sliders and cap (H)

### DL02

1 x Handle with lock & keys (J)  
3 x Hinges (I)

**\*XX = COLOR CODE**  
(IP, TK, RCE, AT, SI, CH)

# HOW TO QUOTE A FENCE?

## 1 - CALCULATE THE AMOUNT OF PANELS NEEDED

**FORMULA:** 
$$\frac{(\text{Total linear feet of fence}) - (\text{Nb. of gates} \times 3,75)}{5,906} = \text{PANELS NEEDED}$$
  
*(round that number up)*

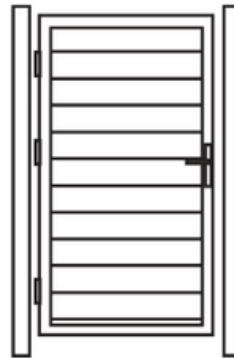
## 1 - CALCULATE THE REQUIRED MATERIAL LIST FOR THE QUOTE

\*XX = Color Code (IP, TK, RCE, AT, SI, CH)



Parts to be ordered per fence panels

- 1x FPGR-2740
- 1x ST-1760-4
- 1x FSE-A-1760
- 12x UH24/UH66-XX\*



Parts to be ordered per fence gate

- 1x FG04-UH24/UH66-XX\*
- 1x AP16-2
- 1x DL02

**IMPORTANT - Always add 1 fence post on your quote (FPGR-2740) when no gate is installed**

### EXAMPLE 1

35 linear feet of fence, no gate, Teak color  
 $(35 / 5,906 = 6)$

7 x FPGR-2740  
 6 x ST-1760-4  
 6 x FSE-A-1760  
 72 x UH24/UH66-TK

### EXAMPLE 2

28 linear feet of fence, with 1 gate, Teak color  
 $((28 - 3,75) / 5,906 = 5)$

5 x FPGR-2740  
 5 x ST-1760-4  
 5 x FSE-A-1760  
 60 x UH24/UH66-TK  
 1 x FG04-UH24/UH66-TK  
 1 x AP16-2  
 1 x DL02



### CONTACT US

TEL: (1) 866.689-2262  
 INFO@NTWCANADA.CA

[newtechwood.ca](http://newtechwood.ca)