

NewTechWood

CANADA



FLAT SIDING

VERTICAL INSTALLATION GUIDE



PROFILES UH67, US31 & US09

TABLE OF CONTENTS

2-4

IMPORTANT NOTES

SIDING PARTS

5-8

9-10

WALL PREPARATION (INCLUDING SOFFIT SPECS)

EXPANSION AND CONTRACTION
TABLE

11

12-13

LOCKING THE SIDING BOARD

BUTT JOINTS GUIDELINES

14

15-35

INSTALLATION

17-21

BETWEEN THE OUTERMOST EDGE & THE INSIDE CORNER

22-25

BETWEEN THE INSIDE CORNER & THE OUTSIDE CORNER

26-29

BETWEEN 2 OUTSIDE CORNERS

30-34

BETWEEN THE OUTSIDE CORNER & THE OUTERMOST EDGE

35

FINISH THE TOP

IMPORTANT

READ ALL SECTIONS BEFORE YOU START

Prior to installing any composite cladding system, it is recommended that you check with local building codes for any special requirements or restrictions. The diagrams and instructions outlined in this guide are for illustration purposes only and are not meant or implied to replace a licensed professional. Any construction or use of NewTechWood must be in accordance with all local zoning and/or building codes. The consumer assumes all risks and liability associated with the construction and use of this product.

Ensure that the delivered product matches the order (color, model, size, quantity, accessories); inspect each piece before installation.

Do not install a product that appears or is believed to be defective.

A defective product will not be covered by the warranty if it is installed.

Stocking

NewTechWood siding boards are a finished product. Boards **MUST** be stored flat and off the ground prior to installation. NewTechWood recommends storing on pallets.

NewTechWood products **MUST** be kept dry and stored in a covered area. Material on-site must be covered with a tarp before installation. Moisture saturation before installation may result in swelling, shrinkage or board damage. Do not install saturated boards.

NewTechWood is not responsible for damage caused by improper storage and handling of the NewTechWood product.

Safety

When dealing with any type of construction project, it is necessary to wear appropriate safety equipment to avoid any risk of injuries. NewTechWood recommends, but is not limited to the following safety equipment, when handling, cutting, and installing NewTechWood: gloves, respiratory protection, long sleeves, pants, and safety glasses.

Tools

Standard woodworking tools may be used. Begin each project with a new blade. It is recommended that all blades have a carbide tip. Standard stainless steel or acceptable coated deck screws are recommended.

Environment

A clean, smooth, flat, and strong surface is needed to install NewTechWood's products correctly. Please check with local building codes before ever installing any type of cladding. If installation does not occur immediately, NewTechWood's products need to be put on a flat surface at all times. It should **NEVER** be put on a surface that is **NOT** flat.

IMPORTANT

READ ALL SECTIONS BEFORE YOU START

Planning

Plan a layout for your cladding before starting it to ensure the best possible looking cladding for your project. Building codes and zoning ordinances generally apply to permanent structures, meaning anything that is anchored to the ground or attached to the house. So nearly every kind of cladding requires permits and inspections from a local building department. We recommend drawing out a site plan of your proposed project that you intend to do to minimize errors and make your perfect wall cladding.

Pressure wash on a scrap piece of material before using a pressure washer on the profiles to make sure that your settings will not damage the Ultrashield coating.

Construction

NewTechWood UltraShield is NOT intended for use as columns, support posts, beams, joist stringers, support against a force, or other primary load-bearing members. NewTechWood must be supported by a code-compliant substructure. While NewTechWood products are great for retrofits, NewTechWood's products CANNOT be installed on existing cladding boards.

Heat and Fire

Excessive heat on the surface of NewTechWood products from external sources such as but not limited to fire or reflection of sunlight from energy efficient window products. This extreme elevation of surface temperatures, which exceeds that of normal exposure, can possibly cause NewTechWood products to melt, sag, warp, discolor, increase expansion/contraction, and accelerate weathering.

Fasteners

When fastening NewTechWood's products all screws that are face fastened should always be driven in at a 90 degree angle to the cladding surface. Toe nailing/screwing should never be done to the products. An extra furring strip should be added if a 90 degree angle cannot be driven into the board. All fasteners should be on their own independent furring strips, when two boards ends meet each other there must be a sister furring strip. The end of each board must sit on its own furring strip.

Use white chalk, straight boards, or string lines as templates for straight lines. **NEVER USE COLORED CHALK.** Colored chalk will permanently stain NewTechWood's products and are highly not recommended.

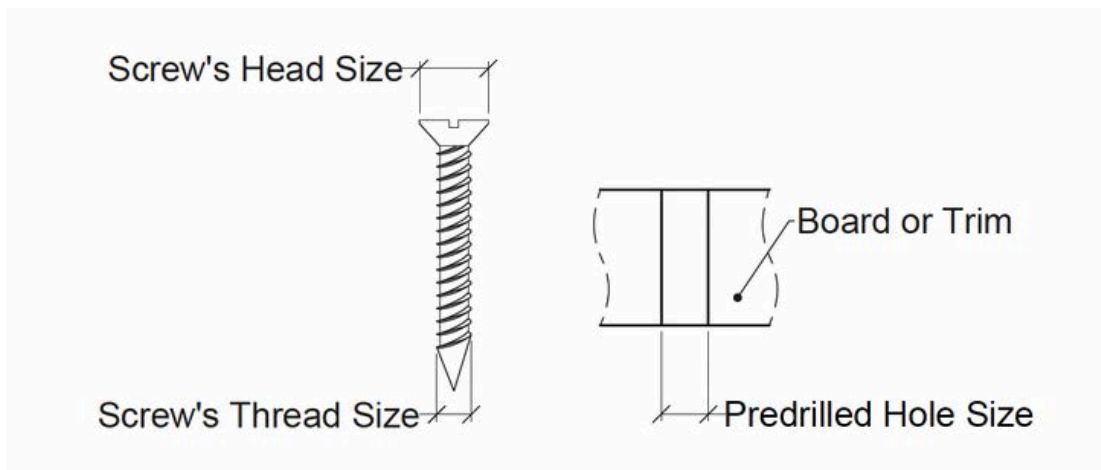
All screws that are face fixed should always be NewTechWood coloured stainless steel screws (CS-100).

IMPORTANT

READ ALL SECTIONS BEFORE YOU START

Predrill





It is recommended to use NewTechWood's #8 pan head colour screw for face fixing the profiles onto the furring strips. When face fixing, it is recommended to predrill the holes slightly larger on the profiles to allow for expansion and contraction response to temperature change, as shown in below diagram.



The predrilled hole size should be larger than the screw thread size, from 1/16" (1.5 mm) to 5/64" (2 mm). Moreover, the predrilled hole size should also be smaller than the screw head size, at least 5/64" (2 mm). A washer can be applied if the predrilled hole size is smaller than the screw head size below 5/64" (2 mm).







Flat Siding

- BOARDS AND TRIMS

PRODUCT	PURPOSE	PART
UH67	Shiplap Siding Available in 12 & 16 feet.	
US31	Gap Siding Available in 12 & 16 feet.	
US09	Shou Sugi Ban Available in 12 & 16 feet.	
US44	End Trim, used on the outermost edges. Available in 16 feet.	
US45	I-Trim, used if there is a break between two boards to cover up the gap. Available in 16 feet.	
US46	Outside Corner Trim, used on the inside corners. Available in 16 feet.	

Flat Siding

- TRIMS AND ACCESSORIES

PRODUCT	PURPOSE	PART
US47	Inside Corner Trim, used on the inside corners. Available in 16 feet.	
AW02	Siding Starter Bar	
AW24	Double clip designed to secure butt joints	
AW08	Siding Clip used at every furring strip to support each board to the strip.	
T7	Rubber Stopper, serves as a spacer to support the final board when clips cannot be installed	
CS	Coloured Screws	

Flat Siding

- SCREWS FOR WOOD FURRING STRIP

The table below shows the screws recommended to use for the installation, but not included.




PRODUCT	PURPOSE	PART
#5 x 1/2" Stainless Steel SS304	Used when locking the board into AW08	
#8 x 1" Stainless Steel SS304 (pan head)	Used when installing the Clip (AW08) and the Rubber Stopper (T-7) onto wood joists	
#8 x 1 1/4" Stainless Steel SS304 (flat head)	Used when installing the boards and the trims onto the wood joists	

Table 1




***Note:** All screws are based on our recommendation and if the installation requires something different than what is shown, a professional should be consulted before installing.

The following installation guide will use the above screw sizes.

Flat Siding

- SCREWS FOR ALUMINUM FURRING STRIP

The table below shows the screws recommended to use for the installation, but not included.

PRODUCT	PURPOSE	PART
#5 x 1/2" Stainless Steel SS304	Used when locking the board into the clip (AW08)	
#8 x 1" Self-tapping Stainless Steel SS410 (pan head)	Used when installing the clip (AW08) and the Rubber Stopper (T7) onto aluminum furring strips	
#8 x 1 1/4" Self-tapping Stainless Steel SS410 (flat head)	Used when fixing the trims onto the aluminum furring strips	

***Note:** All screws are based on our recommendation and if the installation requires something different than what is shown, a professional should be consulted before installing.

The following installation guide will use the above screw sizes.

Flat Siding

- **WALL PREPARATION**

We recommend for the under construction aluminum or wood furring strips. Each cladding board needs to be supported by a furring strip **NO MORE than 16 inches (406 mm)** from center to center. Extra care is required in order to provide sufficient strapping in and around obstacles such as windows, fascia's, soffits, guttering, ventilation points etc.

When used as **SOFFIT or CEILING**, the maximum distance between furring strips, center-to-center is **12 inches (305mm)**.

Double furring is highly recommended for any vertical installation of NewTechWood siding products.

DOUBLE FURRING

Double furring is mandatory in Quebec and the Atlantic provinces to allow continuous ventilation and wall drainage, and it is highly recommended in the rest of Canada.

- First, apply vertical furring strips with a minimum thickness of 3/8", secured to the wall framework.
- Then, install 1" x 3" horizontal furring strips over the vertical ones, spaced at a maximum of 16" apart.

DIAGONAL FURRING

- *Diagonal furring is permitted in Quebec, Ontario, and the Maritimes.* The furring must be at least 1" thick and nailed directly into the framework and primary wood sheathing.

HORIZONTAL FURRING

- *Horizontal furring alone is permitted in Ontario, provided that:*
 - The strips are spaced every 16".
 - There is a 1" gap between the ends of the strips to allow for water drainage.
 - There is a true 1" nailing base, either by combining a strip with OSB or plywood, or using a true 1" or 2" x 3" strip.

INSTALLATION ON ICF / RIGID INSULATION

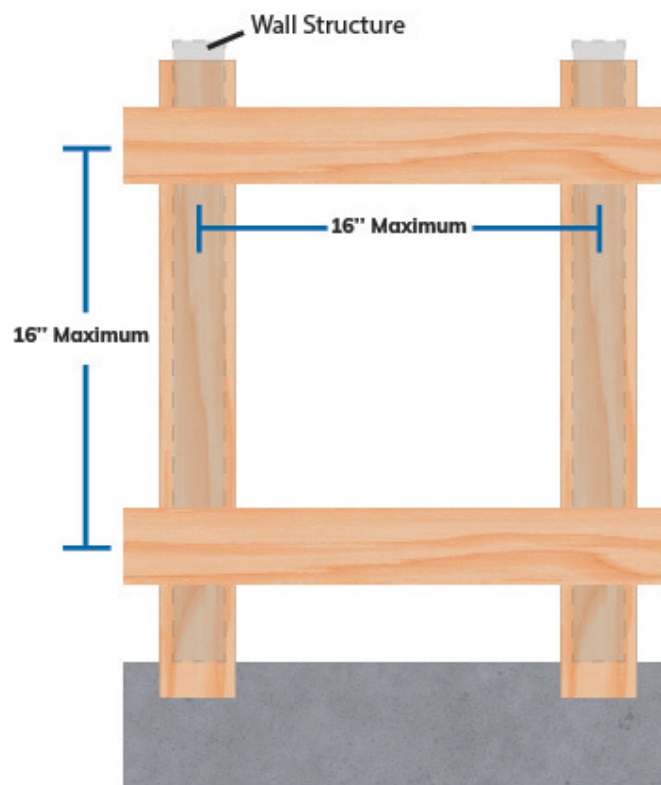
For installation on rigid insulation or ICF, double furring is highly recommended to more effectively evacuate heat/moisture that may accumulate between the cladding and the rigid insulation/ICF. It is also recommended to level the strips well with shims or use sufficiently thick aluminum strips to have perfectly straight and leveled strips.

Flat Siding

- WALL PREPARATION

NOTE:

For all illustrations in this manual, only the horizontal strips will be shown for visual clarity. Double furring remains mandatory in certain provinces and is highly recommended throughout the country.



Flat Siding

- EXPANSION AND CONTRACTION VALUES

NewTechWood siding boards will experience expansion and contraction with changes in temperature. Expansion and contraction are most significant where extreme temperature changes occur. Fastening the boards according to the gapping requirements noted in the following table accommodates for this movement.

Expansion and Contraction table of values for Canada

Installation temperature (°C)	12 feet (3.66 m)	16 feet (4.88 m)
0	3/16 in	1/4 in
5	3/16 in	1/4 in
10	1/8 in	3/16 in
15	1/8 in	3/16 in
20	1/16 in	1/8 in
25	1/16 in	1/16 in
30	3/64 in	1/16 in

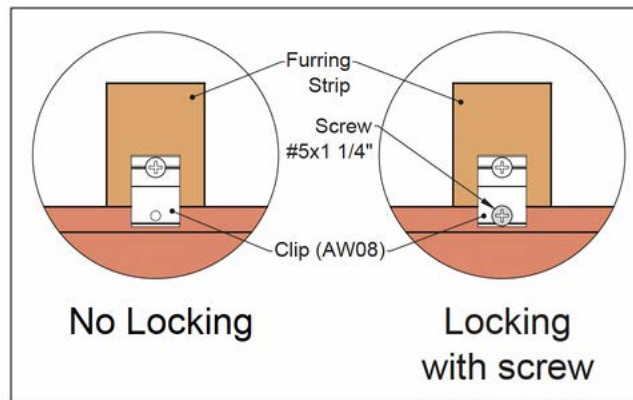
Note: If you are still unsure of what gapping to use, contact the manufacturer and they will give you the correct gapping requirements based on your environment and area.

Flat Siding

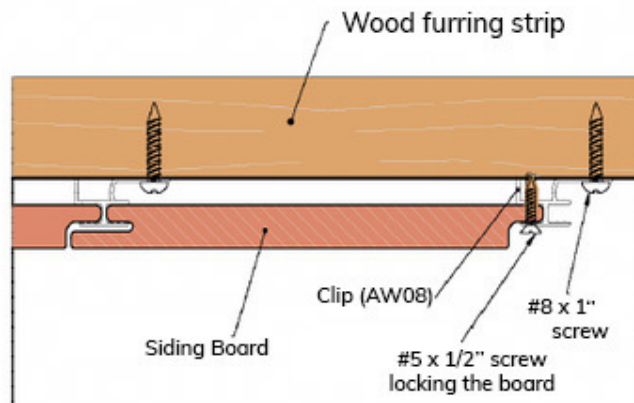
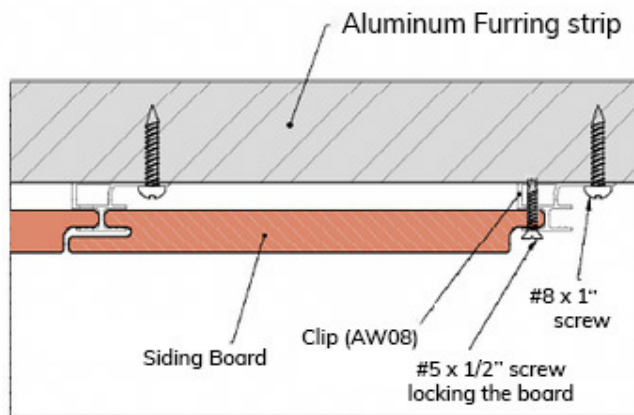
- LOCKING SIDING BOARD

Since the composite wood must allow for expansion and contraction due to temperature change, the board must be locked at one fixed point but only one point to allow the remaining board to expand and contract freely. In the case there is a need to lock the board, Clip (AW08) comes with a separate hole.

It is important that DO NOT LOCK any other clips for the same board.



Vertical Installation



Flat Siding

- LOCKING SIDING BOARD

Note:

1. When the board's length is below 78 3/4" (2m), it is ok to lock only the first clip (AW08) at the top of the board.
2. When the board's length is equal to or longer than 78 3/4" (2 m), it is required to lock the first and second clip (AW08) counted from the top of the board.
3. For stronger support, we recommend the use of AW24 double clips to replace the AW08 when locking the board at the top furring strip.

DO NOT LOCK any other Clips for the same board.

When installing vertically, it is required to lock the Clip (AW08) at the top of the board as shown in **Diagram 1**.

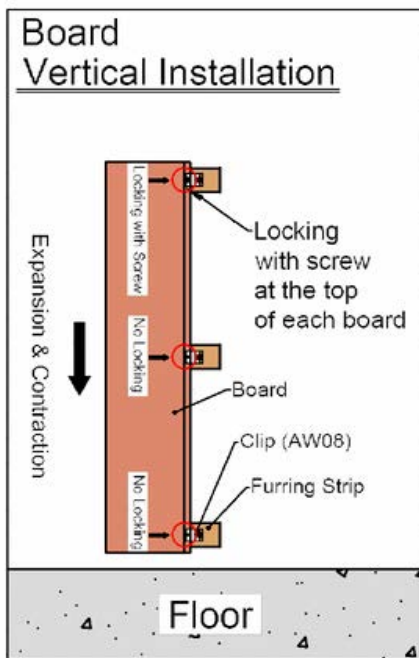


Diagram 1

When installing more than one board vertically, it is recommended to utilize the I-Trim (US45) at each butt joint.

It is also required to lock the Clip (AW08) at the top of each board, as shown in **Diagram 2**.

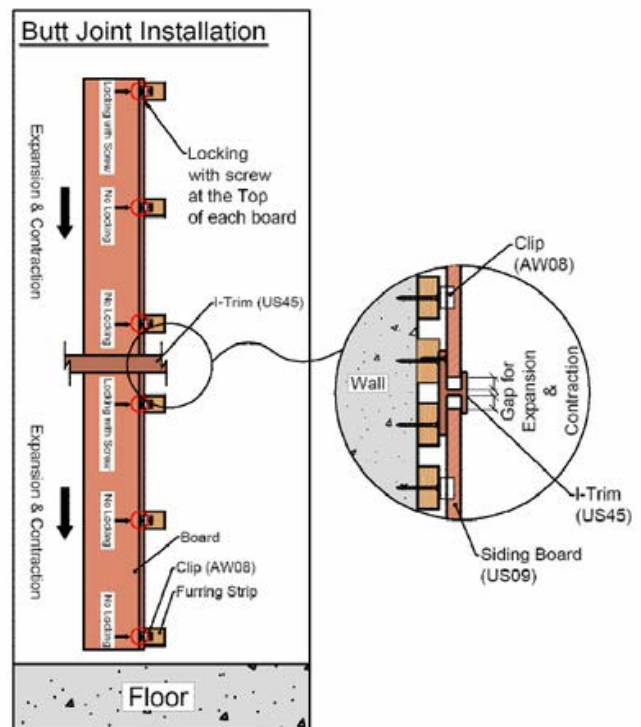


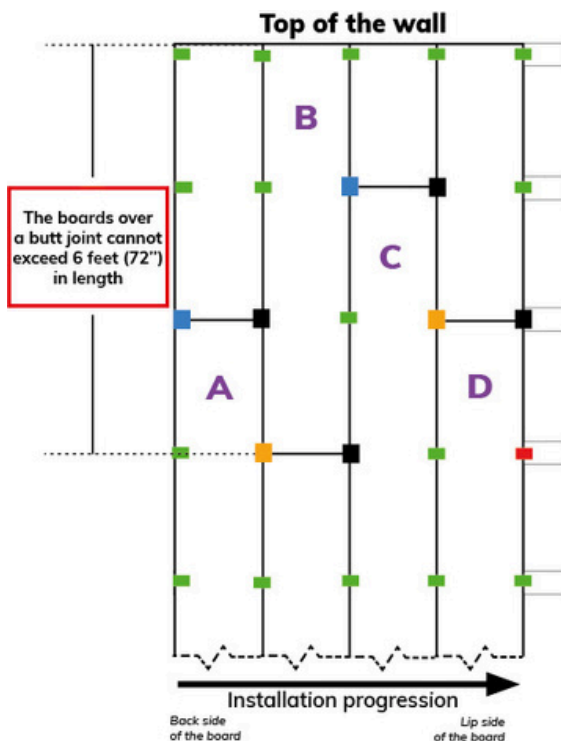
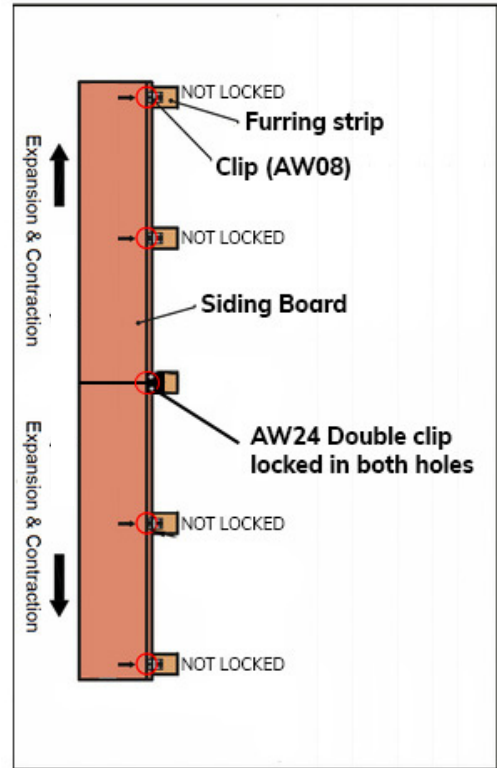
Diagram 2

Flat siding - vertical installation

- LOCKING SIDING BOARD – BUTT JOINTS

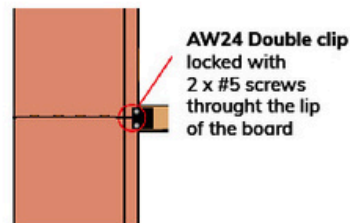
IMPORTANT NOTES

1. Butt joints must be centered on furring strips
2. Never join more than 2 boards in the same line
3. Top board must not exceed 6 feet (72 inches)
4. Remember to always lock the first AW08 clip to the board on the first furring strip under the butt joint when the bottom board is longer than 78 inches.



CLIPS

- AW24 Double Clip - LOCKED
- AW24 Double Clip - Not Locked
- AW24 Double Clip - Locked only if the previous board it's attached to is higher than 78" (Boards A & C)
- AW08 - LOCKED
- AW08 - Not Locked



Flat siding - vertical installation

- INSTALLATION

For all illustrations in this manual, only the horizontal strips will be shown for visual clarity. Double furring remains mandatory in certain provinces and is highly recommended throughout the country.

The frame needs to be level before installing the Siding boards.

Note:

An adequate span between the joists is required to keep the Siding boards from bending. Please review page 11 of this installation guide to see what span is needed.

The below diagram shows the wall replicating different scenarios potentially occurring when installing the Siding boards.

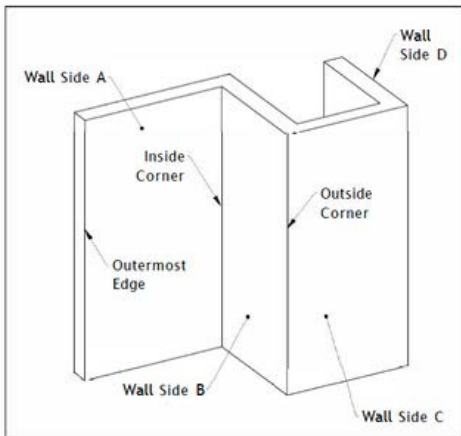


Diagram 3

Note:

We are using wood joists for this installation. If you are using aluminum joists, please refer to page 9 of this installation guide for the correct recommended screws.



Measure and chalk the joists according to the span data specified on page 11 of this installation guide, as shown in Diagram 64.

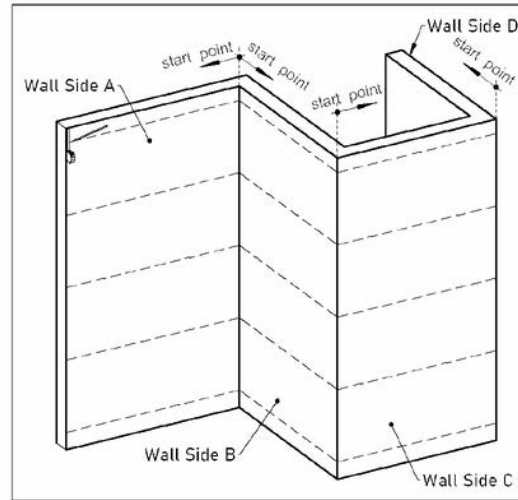


Diagram 64



Fix the furring strip onto the wall that you intend to install with screws. The distance between the screws should be at least 19 5/8" (500mm) and max to 39 3/8" (1000mm) on center, as shown on Diagram 65.

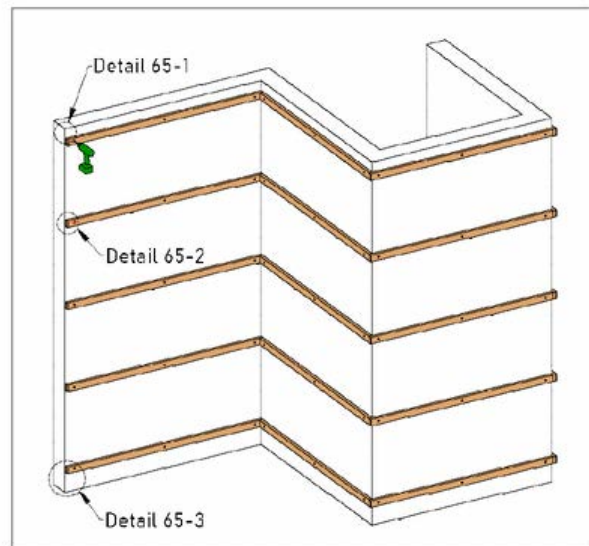


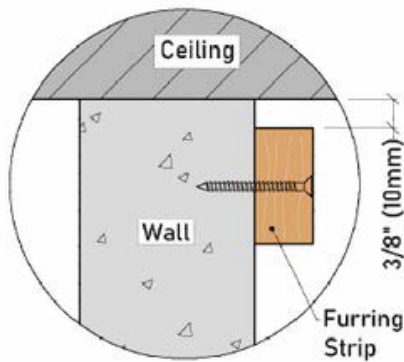
Diagram 65

Flat siding - vertical installation

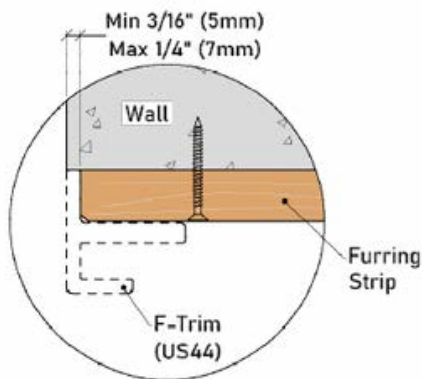
- INSTALLATION

Note:

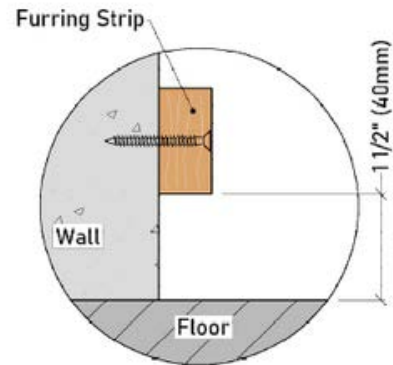
1. A minimum gap of 3/8" (10mm) needs to be left between the upper first furring strip and ceiling, as shown in Detail 65-1.
2. It is recommended to leave a gap from min 3/16" (5 mm) and max to 1/4" (7mm) between the wall's outermost edge and the furring strips, as shown in Detail 65-2.
3. A minimum gap of 1 1/2" (40mm) needs to be left between the lowest furring strip and the floor, as shown in Detail 65-3.



Detail 65-1



Detail 65-2



Detail 65-3

Flat siding - vertical installation

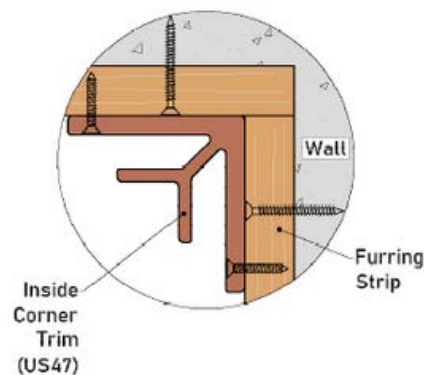
- INSTALLATION

For all illustrations in this manual, only the horizontal strips will be shown for visual clarity. Double furring remains mandatory in certain provinces and is highly recommended throughout the country.

3

Wall Side A (Between the Outermost Edge and the Inside Corner)

Fasten the Inside Corner Trim (US47) with screws onto the furring strips. It is recommended to begin the installation from the inside corner, as shown in Diagram 66 and Detail 66-1 .



Detail 66-1

Note:

1. Pre-drill the screw holes for the Inside Corner Trim (US47) before installation.
2. A minimum gap of 3/4" (20mm) needs to be left between the Inside Corner Trim (US47) and the floor, as shown in Detail 66-2.

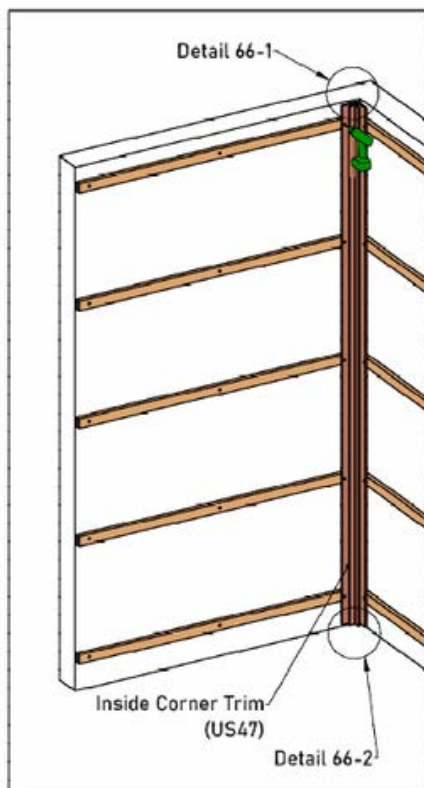
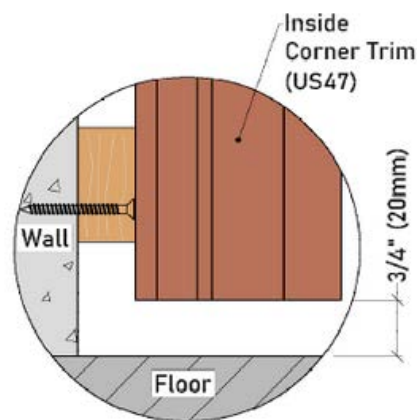


Diagram 66



Detail 66-2

Flat siding - vertical installation

- INSTALLATION

For all illustrations in this manual, only the horizontal strips will be shown for visual clarity. Double furring remains mandatory in certain provinces and is highly recommended throughout the country.

4

Insert the first Siding Board into the Inside Corner Trim (US47) and fasten it to the furring strips using Clip (AW08), as shown in Diagram 67.

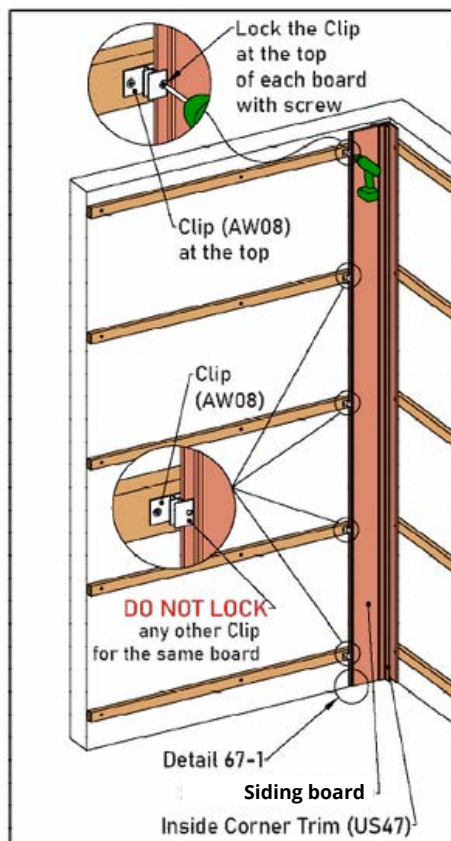


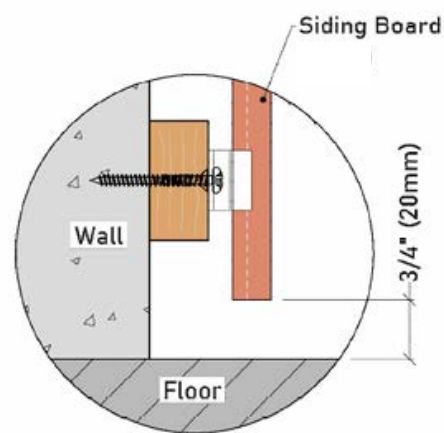
Diagram 67

Note:

1. Since the composite wood must allow for expansion and contraction due to temperature changes, **the board must be locked at one fixed point but only one point** to allow the remaining board to move freely. When installing vertically, it is required to **lock the Clip (AW08) at the top of each board**, as shown in Diagram 67.

DO NOT LOCK any other Clip (AW08) for the same board. Please review page 12, "Locking the Siding Board" of this installation guide for further information.

2. The distance between the Siding Board and the floor should be at least **3/4" (20mm)**, as shown in Detail 67-1.



Detail 67-1

Flat siding - vertical installation

- INSTALLATION

For all illustrations in this manual, only the horizontal strips will be shown for visual clarity. Double furring remains mandatory in certain provinces and is highly recommended throughout the country.

5

When you are at the Siding's last board, measure the distance between the furring strip's end and the Clip (AW08), as shown in [Diagram 68](#) and [Detail 68-1](#).

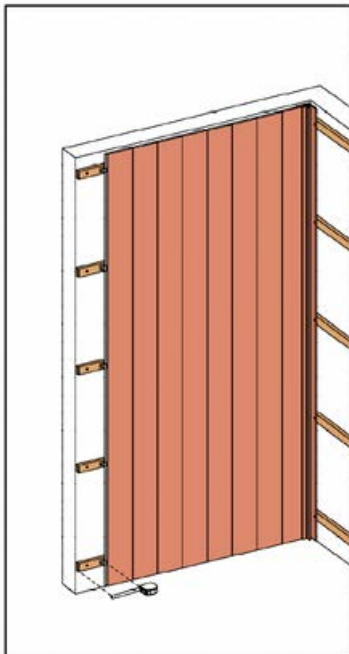
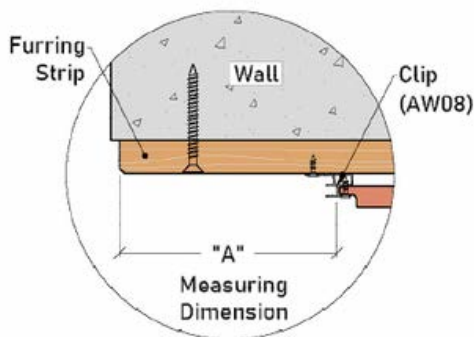


Diagram 68



Detail 68-1

6

Cut the Siding Board according to the measured length, as shown in [Diagram 69](#) and [Detail 69-1](#).

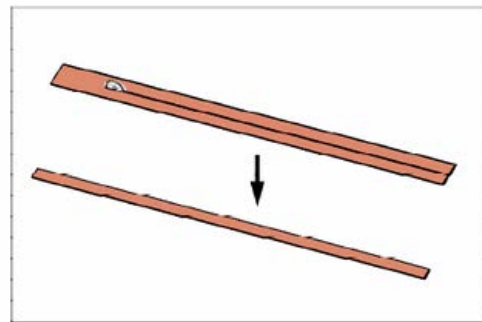
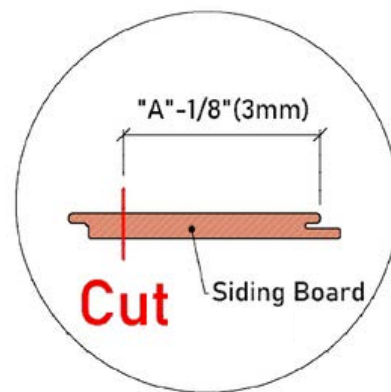


Diagram 69



Detail 69-1

Flat siding - vertical installation

- INSTALLATION

For all illustrations in this manual, only the horizontal strips will be shown for visual clarity. Double furring remains mandatory in certain provinces and is highly recommended throughout the country.

7

Put the cut Siding Board in place and put a block under it to guarantee the board is at the same level as the other boards, as shown in [Diagram 70](#) and [Detail 70-1](#).

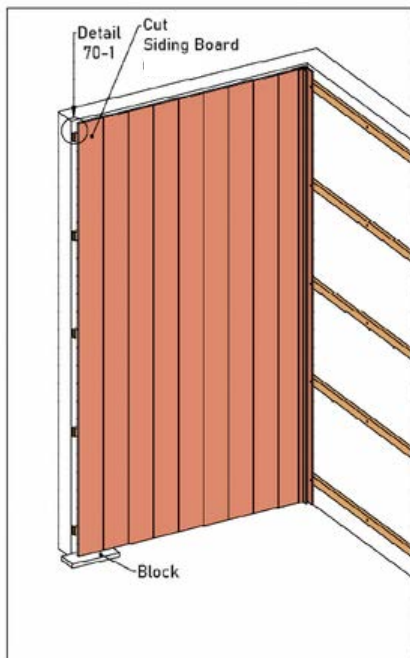
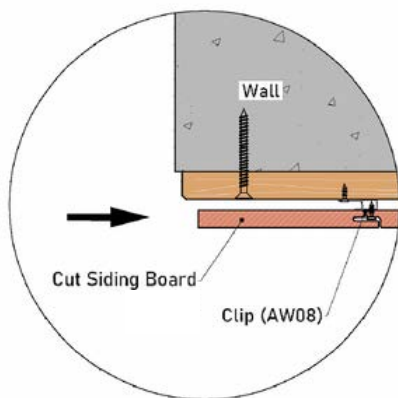


Diagram 70



Detail 70-1

8

Insert the F-Trim (US44) in place. On the top of the cut Siding Board, face fix it together with the F-Trim (US44) onto the furring strip, as shown in [Diagram 71](#) and [Detail 71-1](#).

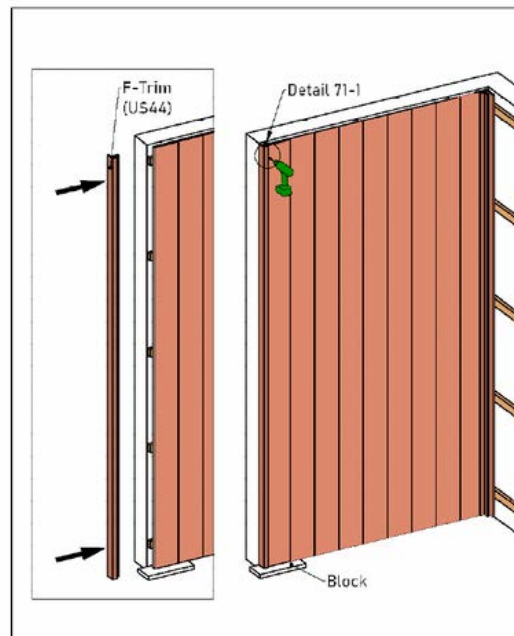
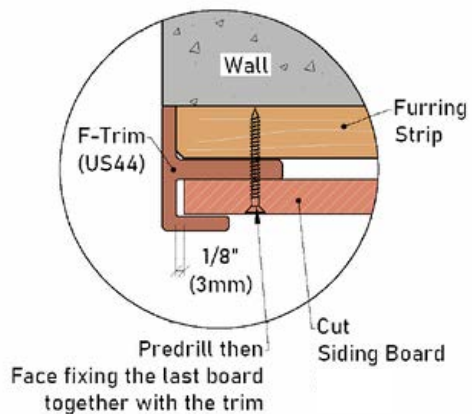


Diagram 71



Detail 71-1

Flat siding - vertical installation

- INSTALLATION

For all illustrations in this manual, only the horizontal strips will be shown for visual clarity. Double furring remains mandatory in certain provinces and is highly recommended throughout the country.

9

Secure the F-Trim (US44) onto the furring strip with screws, as shown in [Diagram 72](#) and [Detail 72-1](#).

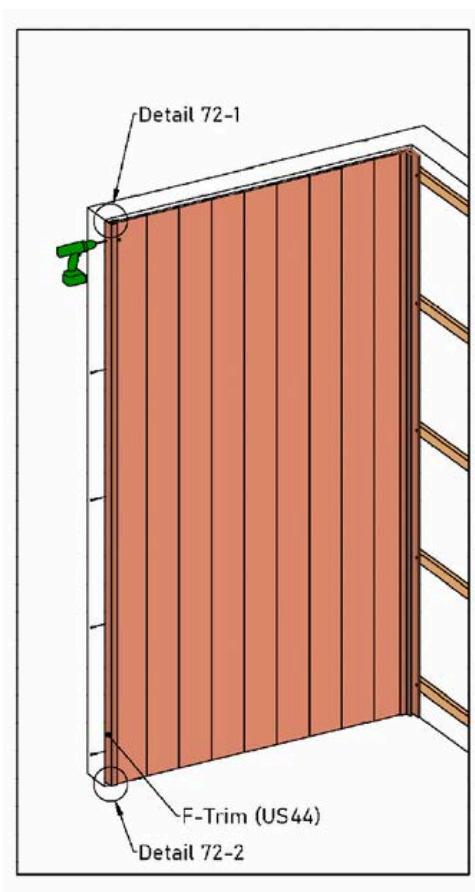
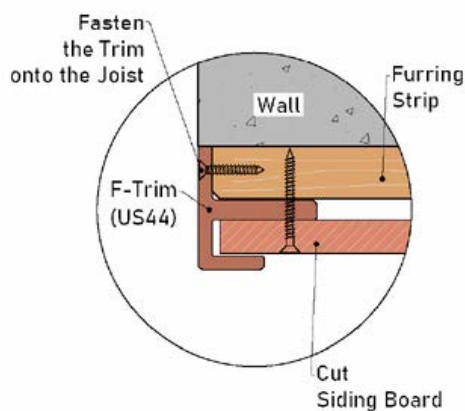


Diagram 72

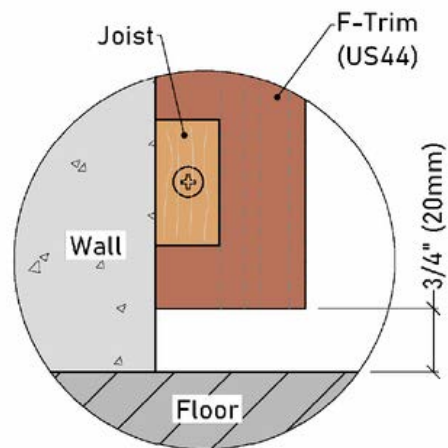


Detail 72-1

Note:

1. Pre-drill the screw holes for the F-Trim (US44) before the installation. Make sure to also pre-drill into the furring strip to prevent splitting of the strip.

2. A minimum gap of 3/4" (20mm) needs to be left between the F-Trim (US44) and the floor, as shown in [Detail 72-2](#).



Detail 72-2

Flat siding - vertical installation

• INSTALLATION

For all illustrations in this manual, only the horizontal strips will be shown for visual clarity. Double furring remains mandatory in certain provinces and is highly recommended throughout the country.

10

Wall Side B (Between the Inside Corner and the Outside Corner)

It is recommended to begin the siding board installation from the inside corner. Insert the first Siding Board into the Inside Corner Trim (US47) and fasten it to the furring strip with Clip (AW08) as shown in Diagram 73 and Detail 73.1.

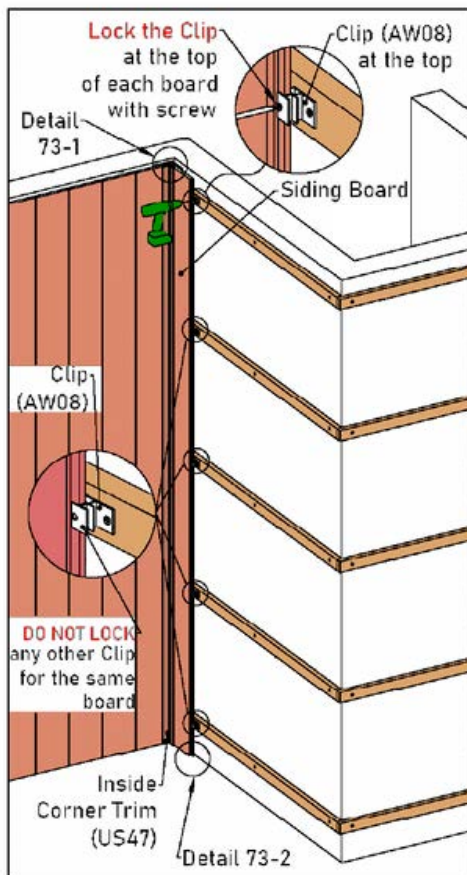


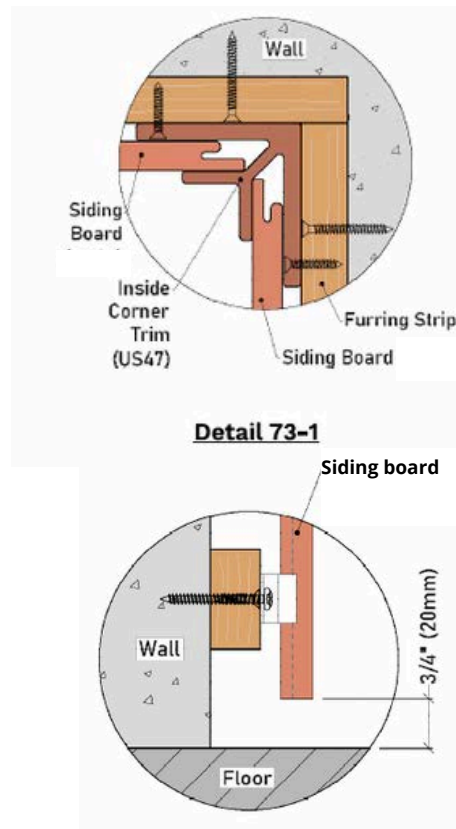
Diagram 73

Note:

1. Since the composite wood must allow for expansion and contraction due to temperature change, **the board must be locked at one fixed point but only one point** to allow the remaining board to move freely. When installing vertically, it is required to **lock the Clip (AW08) at the top of each board**, as shown in Diagram 73.

DO NOT LOCK any other Clip (AW08) for the same board. Please review page 12, "Locking the Siding Board" of this installation guide for further information.

2. The distance between the Siding Board and the floor should be at least 3/4" (20mm), as shown in Detail 73.2.



Detail 73-2

Flat siding - vertical installation

- INSTALLATION

For all illustrations in this manual, only the horizontal strips will be shown for visual clarity. Double furring remains mandatory in certain provinces and is highly recommended throughout the country.

11

When you are at Siding's last board, measure the distance between the furring strip and the Clip (AW08), as shown in [Diagram 74](#) and [Detail 74-1](#).

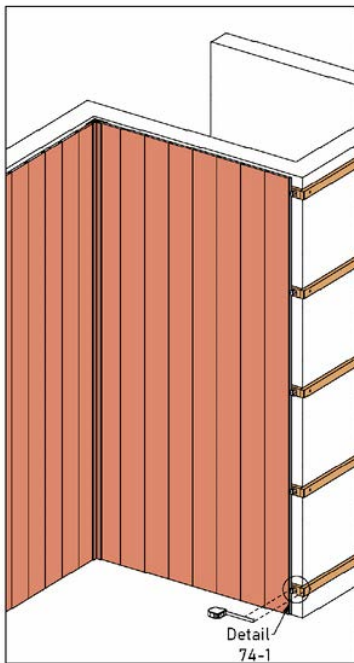
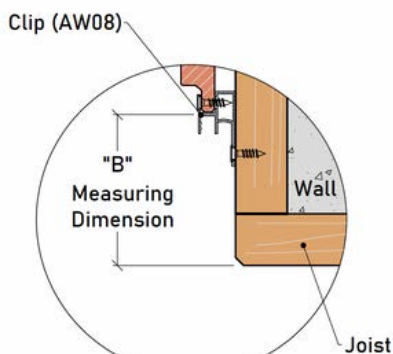


Diagram 74



Detail 74-1

12

Cut the Siding Board according to the measured length, as shown in [Diagram 75](#) and [Detail 75-1](#).

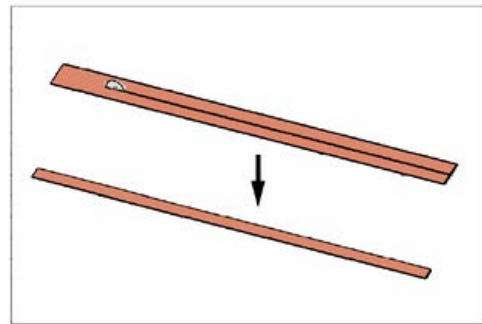
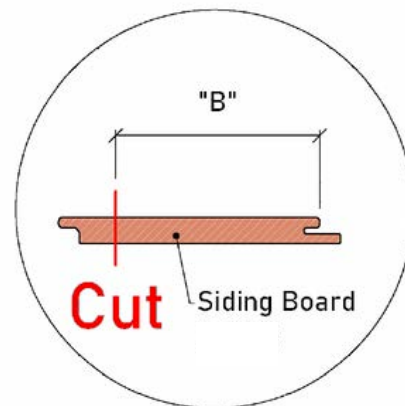


Diagram 75



Detail 75-1

Flat siding - vertical installation

- INSTALLATION

For all illustrations in this manual, only the horizontal strips will be shown for visual clarity. Double furring remains mandatory in certain provinces and is highly recommended throughout the country.

13

Put the cut Siding Board in place and put a block under it to guarantee the board is at the same level as the other boards, as shown in [Diagram 76](#) and [Detail 76-1](#).

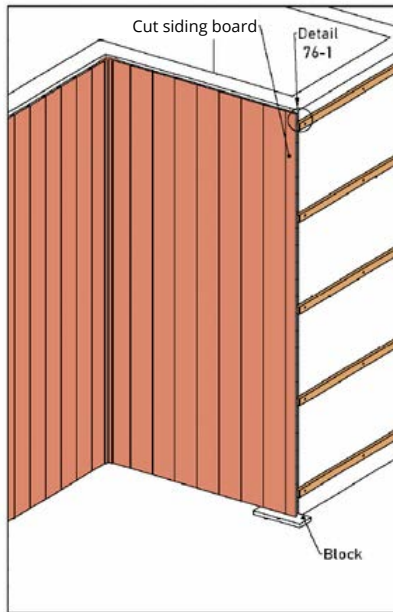
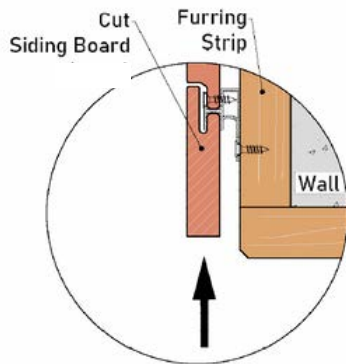


Diagram 76



Detail 76-1

14

Insert the Outside Corner (US46) in place. On the top of the cut Siding Board, face fix it together with the Outside Corner Trim (US46) onto the furring strip, as shown in [Diagram 77](#) and [Detail 77-1](#).

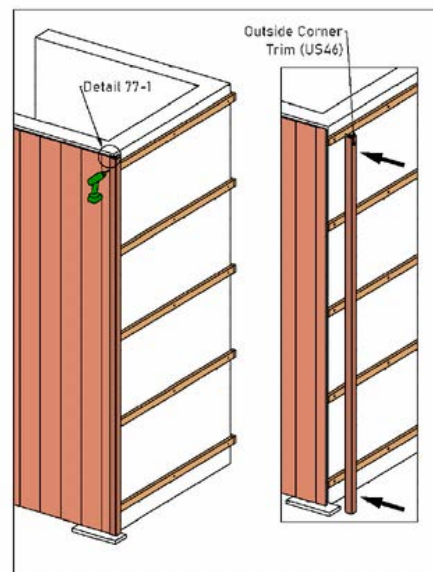
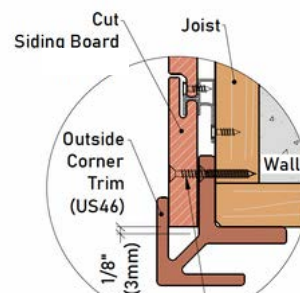


Diagram 77



Face fixing the board together with the trim onto the joist

Detail 77-1

Flat siding - vertical installation

- INSTALLATION

For all illustrations in this manual, only the horizontal strips will be shown for visual clarity. Double furring remains mandatory in certain provinces and is highly recommended throughout the country.

15

Secure the Outside Corner Trim (US46) onto the furring strips with screws, as shown in Diagram 78 and Detail 78-1.

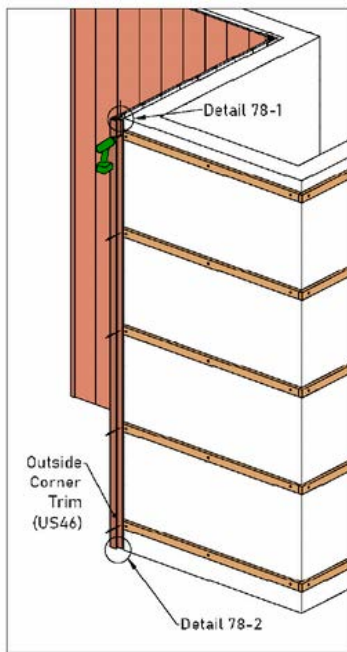
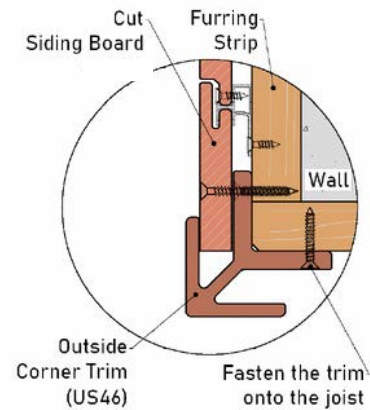


Diagram 78

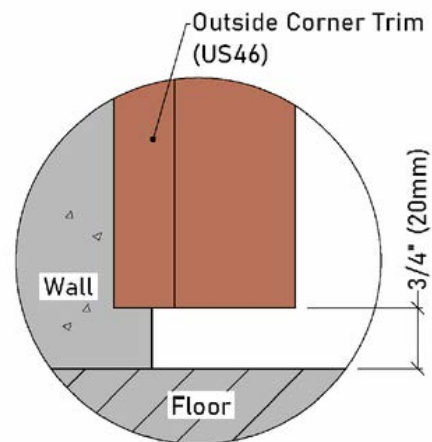


Detail 78-1

Note:

1. Pre-drill the screw holes for the Outside Corner Trim (US46) before the installation.

2. A minimum gap of 3/4" (20mm) needs to be left between the Outside Corner Trim (US46) and the floor, as shown in Detail 78-2.



Detail 78-2

Flat siding - vertical installation

• INSTALLATION

For all illustrations in this manual, only the horizontal strips will be shown for visual clarity. Double furring remains mandatory in certain provinces and is highly recommended throughout the country.

16

Wall Side C (Between two Outside Corners)

Insert the first Siding Board into the Outside Corner Trim (US46) and fasten it to the furring strip with Clip (AW08) as shown in Diagram 79 and Detail 79.1.

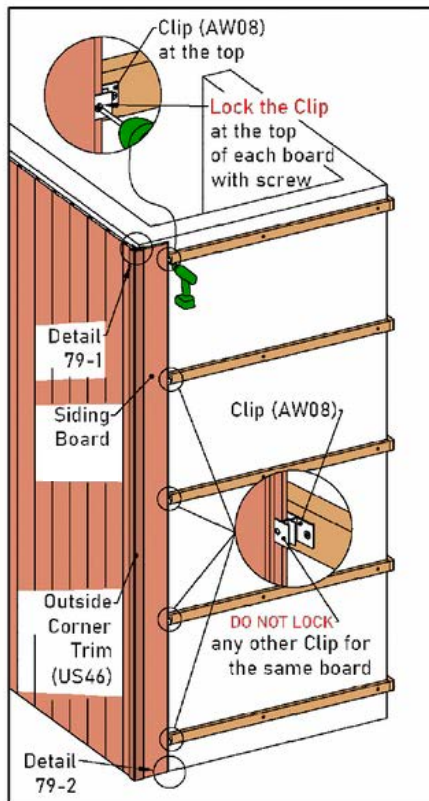


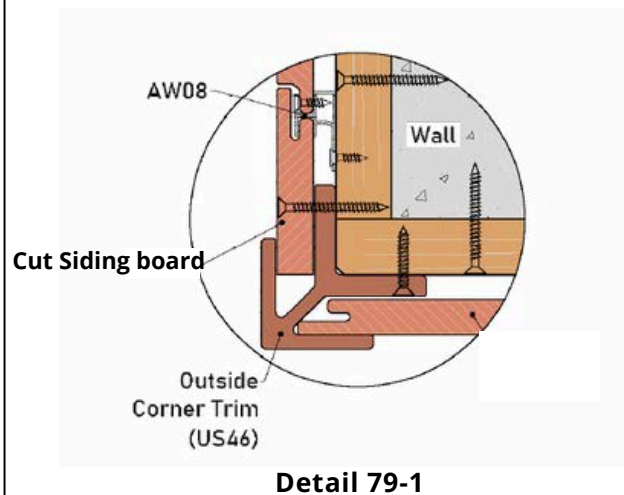
Diagram 79

Note:

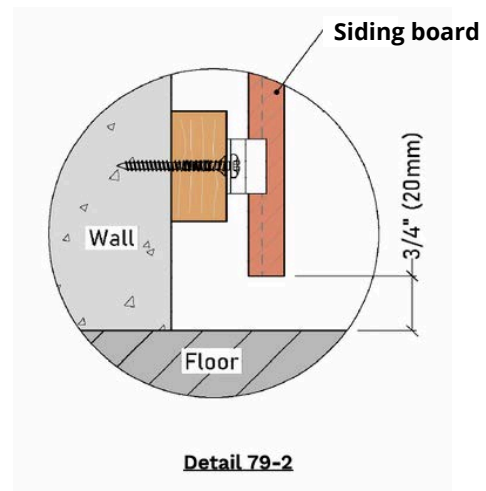
1. Since the composite wood must allow for expansion and contraction due to temperature change, **the board must be locked at one fixed point but only one point** to allow the remaining board to move freely. When installing vertically, it is required to **lock the Clip (AW08) at the top of each board**, as shown in Diagram 79.

DO NOT LOCK any other Clip (AW08) for the same board. Please review page 12, “Locking the Siding Board” of this installation guide for further information.

2. The distance between the Siding Board and the floor should be at least 3/4" (20mm), as shown in Detail 79.2.



Detail 79-1



Detail 79-2

Flat siding - vertical installation

- INSTALLATION

For all illustrations in this manual, only the horizontal strips will be shown for visual clarity. Double furring remains mandatory in certain provinces and is highly recommended throughout the country.

17

When you are at Siding's last board, measure the distance between the Outside Corner Trim (US46) and the Clip (AW08), as shown in [Diagram 80](#) and [Detail 80-1](#).

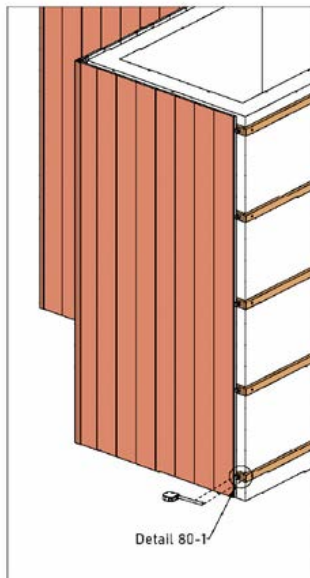
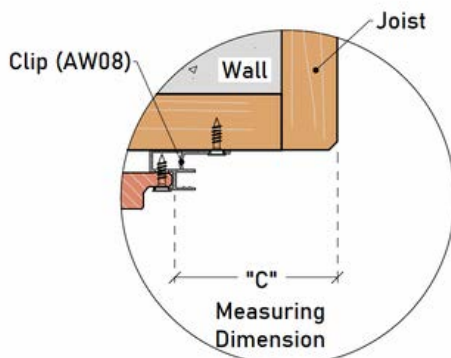


Diagram 80



Detail 80-1

18

Cut the Siding Board according to the measured length, as shown in [Diagram 81](#) and [Detail 81-1](#).

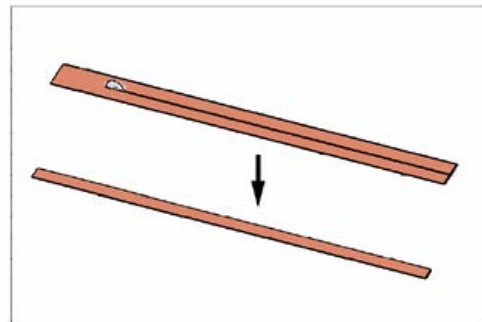
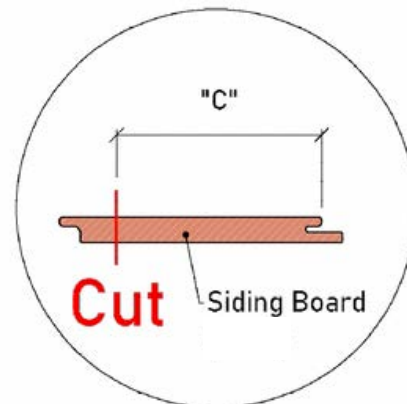


Diagram 81



Detail 81-1

Flat siding - vertical installation

- INSTALLATION

For all illustrations in this manual, only the horizontal strips will be shown for visual clarity. Double furring remains mandatory in certain provinces and is highly recommended throughout the country.

19

Put the cut Siding Board in place and put a block under it to guarantee the board is at the same level as the other boards), as shown in Diagram 82 and Detail 82-1.

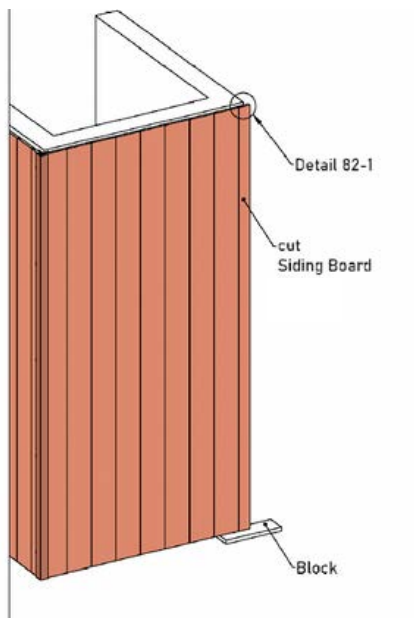
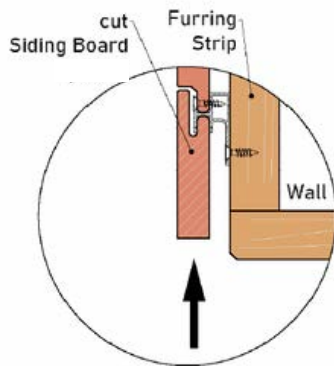


Diagram 82



Detail 82-1

20

Insert the Outside Corner Trim (US46) in place. On the top of the cut Siding Board, face fix it together with the Outside Corner Trim (US46) onto the furring strip, as shown in Diagram 83 and Detail 83-1.

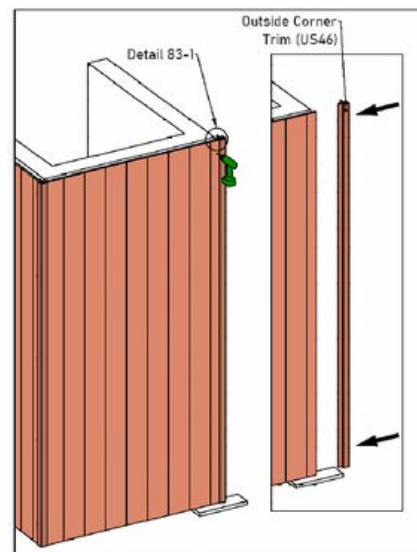
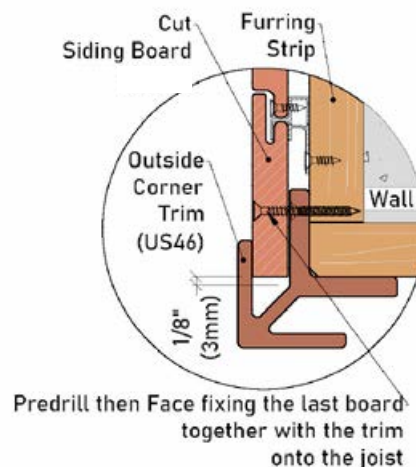


Diagram 83



Detail 83-1

Flat siding - vertical installation

- INSTALLATION

For all illustrations in this manual, only the horizontal strips will be shown for visual clarity. Double furring remains mandatory in certain provinces and is highly recommended throughout the country.

21

Secure the Outside Corner Trim (US46) onto the furring strips with screws, as shown in [Diagram 84](#) and [Detail 84.1](#).

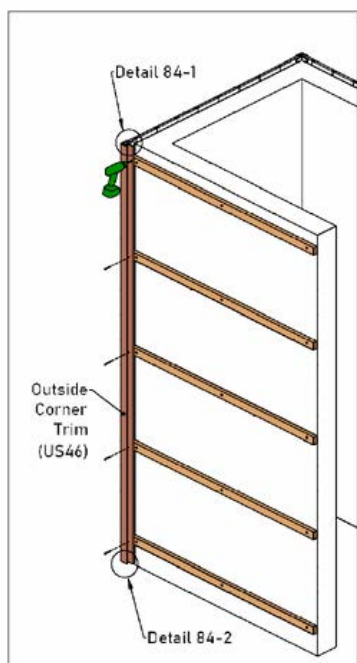
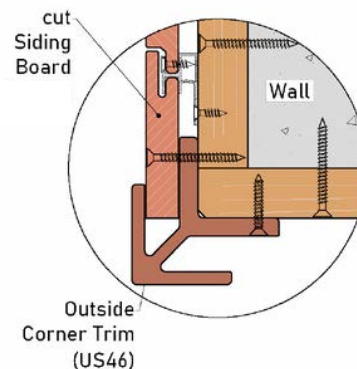


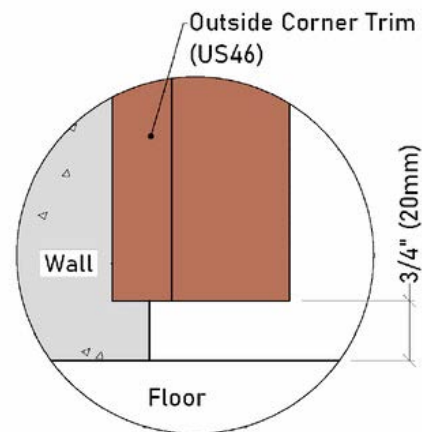
Diagram 84



Detail 84-1

Note:

1. Pre-drill the screw holes for the Outside Corner Trim (US46) before installation.
2. A minimum gap of 3/4" (20mm) needs to be left between the Outside Corner Trim (US46) and the floor, as shown in Detail 84-2.



Detail 84-2

Flat siding - vertical installation

- INSTALLATION

For all illustrations in this manual, only the horizontal strips will be shown for visual clarity. Double furring remains mandatory in certain provinces and is highly recommended throughout the country.

22

Wall Side D (Between the Outside Corner and the Outermost Edge)

Insert the first Siding Board into the Outside Corner Trim (US46) and fasten it to the furring strip with Clip (AW08) as shown in [Diagram 85](#) and [Detail 85.1](#).

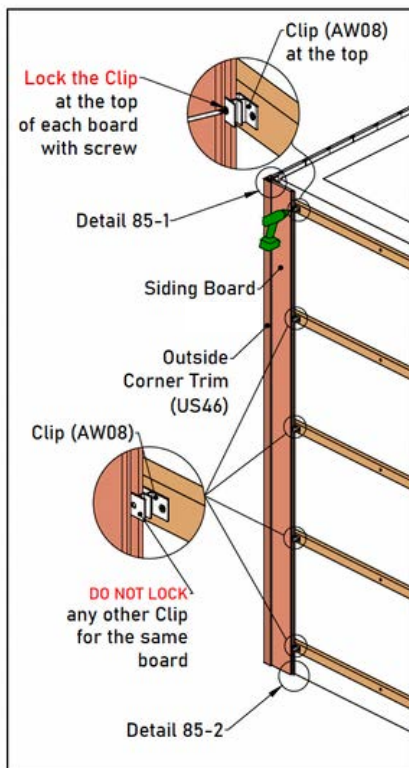


Diagram 85

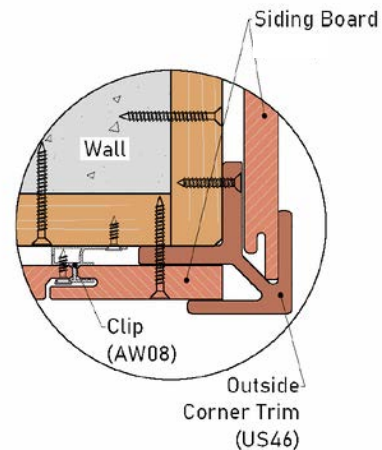
Note:

1. Since the composite wood must allow for expansion and contraction due to temperature change, **the board must be locked at one fixed point but only one point** to allow the remaining board to move freely. When installing vertically, it is required to **lock the Clip (AW08) at the top of each board**, as shown in [Diagram 85](#).

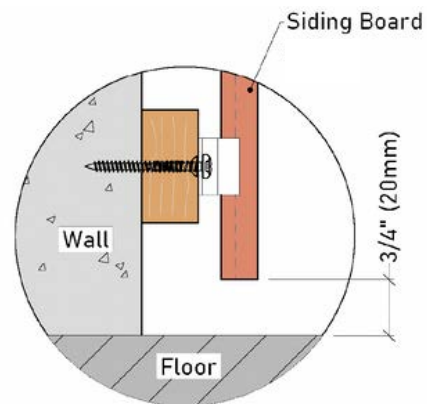
DO NOT LOCK any other Clip (AW08) for the same board.

Please review [page 12](#), "[Locking the Siding Board](#)" of this installation guide for further information.

2. The distance between the Siding Board and the floor should be at least 3/4" (20mm), as shown in [Detail 85.2](#).



Detail 85-1



Detail 85-2

Flat siding - vertical installation

- INSTALLATION

For all illustrations in this manual, only the horizontal strips will be shown for visual clarity. Double furring remains mandatory in certain provinces and is highly recommended throughout the country.

23

When you are at Siding's last board, measure the distance between the furring strip and the Clip (AW08), as shown in [Diagram 86](#) and [Detail 86-1](#).

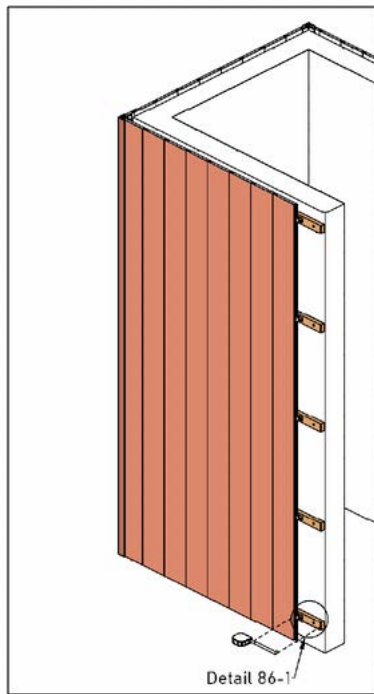
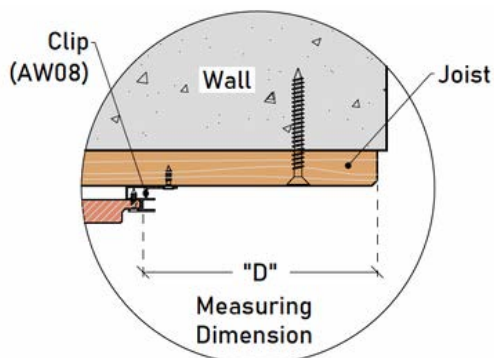


Diagram 86



Detail 86-1

24

Cut the Siding Board according to the measured length, as shown in [Diagram 87](#) and [Detail 87-1](#).

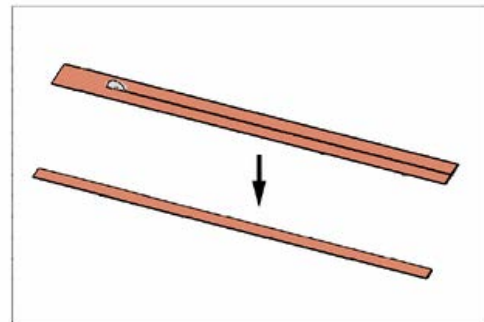
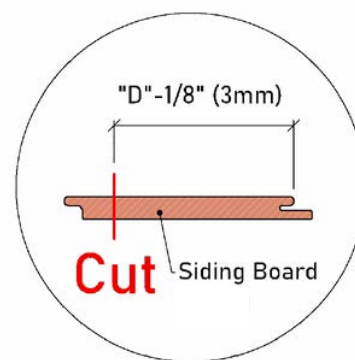


Diagram 87



Detail 87-1

Flat siding - vertical installation

- INSTALLATION

25

Put the cut Siding Board in place and put a block under it to guarantee the board is at the same level as the other boards, as shown in [Diagram 88](#) and [Detail 88-1](#).

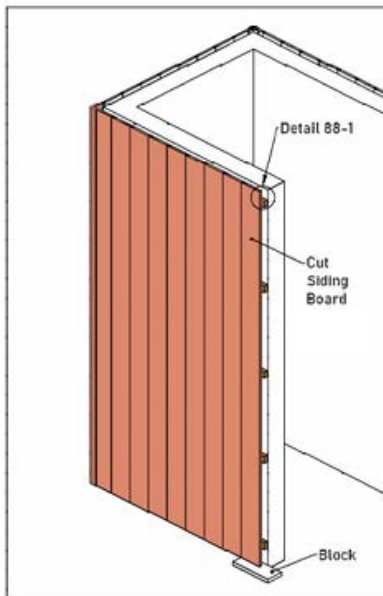
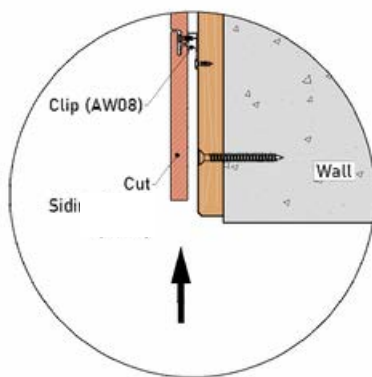


Diagram 88



Detail 88-1

26

Insert the F-Trim (US44) in place. On the top of the cut Siding Board, face fix it together with the F-Trim (US44) onto the furring strip, as shown in [Diagram 89](#) and [Detail 89-1](#).

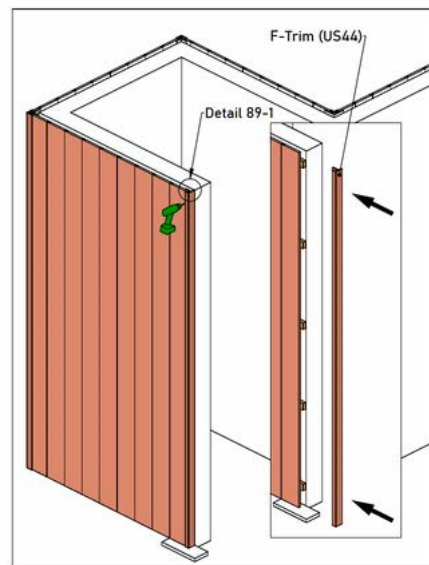
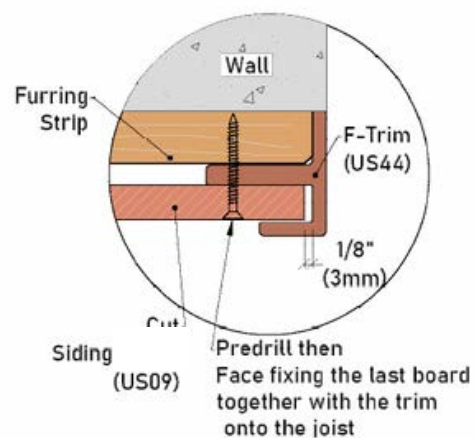


Diagram 89



Detail 89-1

Flat siding - vertical installation

- INSTALLATION

27

Secure the F-Trim (US44) onto the furring strips with screws, as shown in [Diagram 90](#) and [Detail 90.1](#).

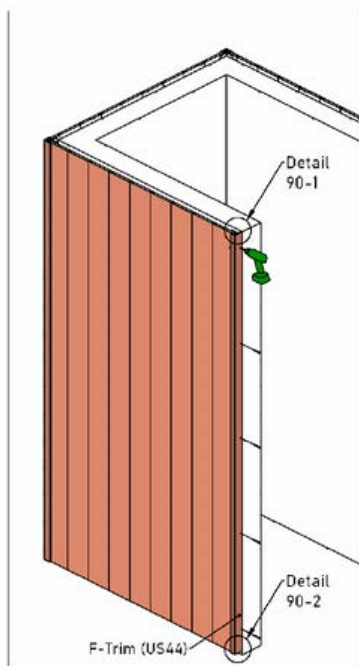
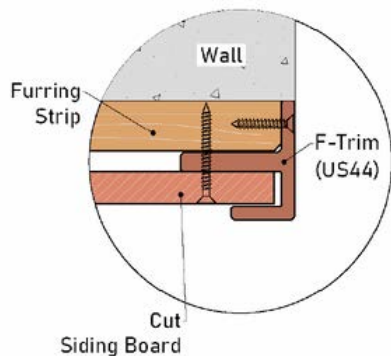


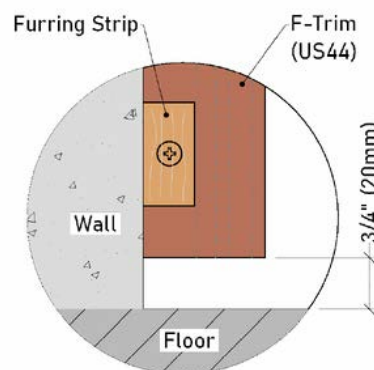
Diagram 90



Detail 90-1

Note:

1. Pre-drill the holes on the F-Trim (US44) before installation.
2. A minimum gap of 3/4" (20mm) needs to be left between the F-Trim (US44) and the floor, as shown in Detail 90-2.



Detail 90-2

Flat siding - vertical installation

- INSTALLATION

29 Diagram 91 presents the final appearance after completing the installation.

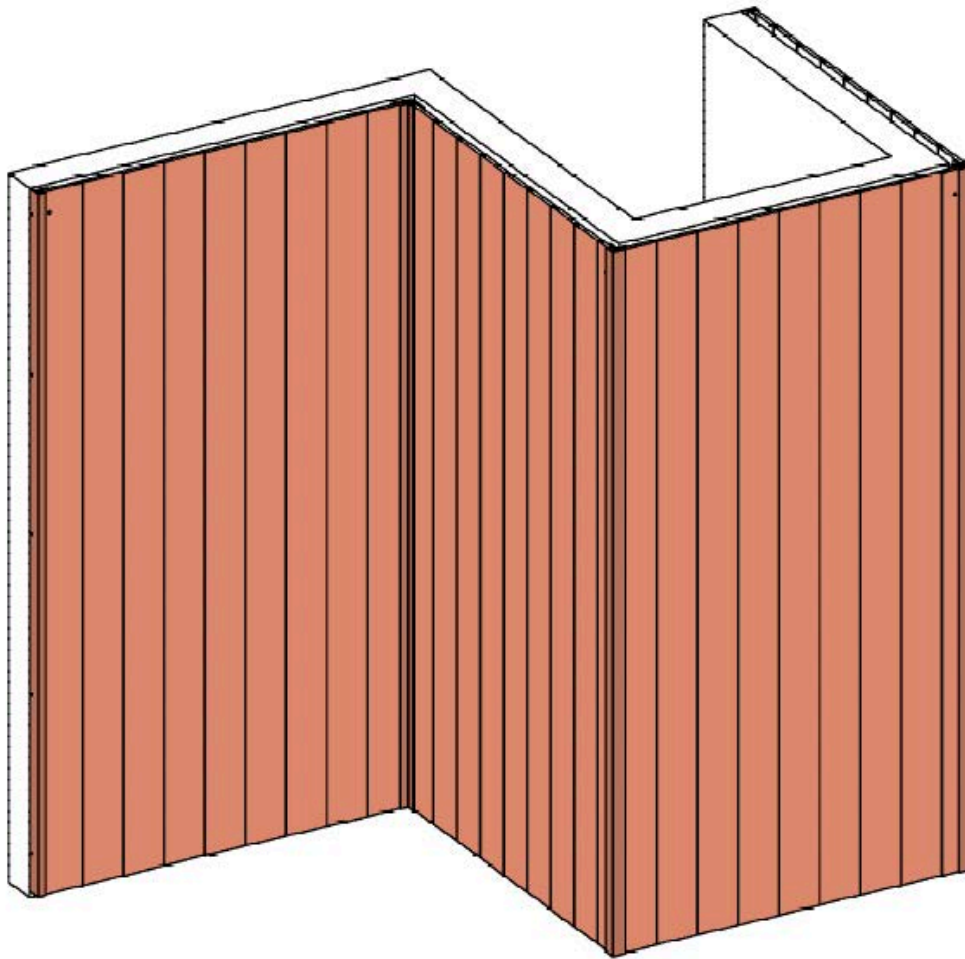


Diagram 91

Flat siding - vertical installation

- INSTALLATION – FINISH THE TOP

There are two options recommended to finish the top of the siding

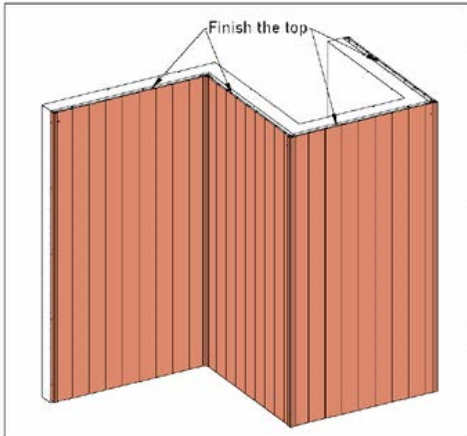


Diagram 92

29

Option 1

Put a metal flashing over the siding top and fix it onto the furring strip with screws, as shown in [Diagram 93](#),

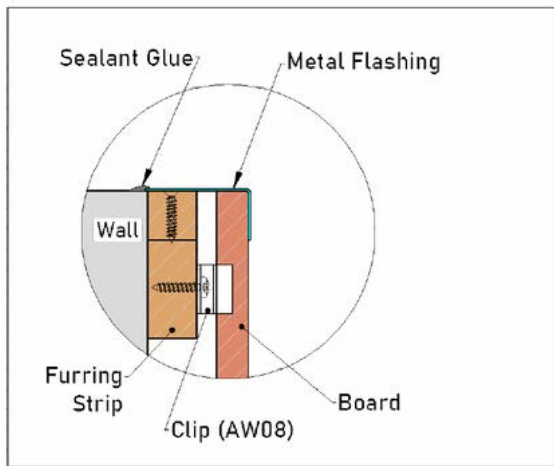


Diagram 93

30

Option 2

Cut the F-trim (US44) to make the centerpiece shorter without interfering with the Clip (AW08), as shown in [Diagram 94](#)

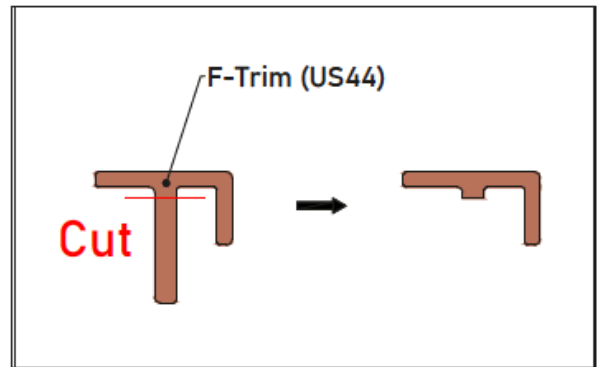


Diagram 94

31

Put the cut F-Trim (US44) in place and secure it onto the furring strip with screws, as shown in [Diagram 95](#).

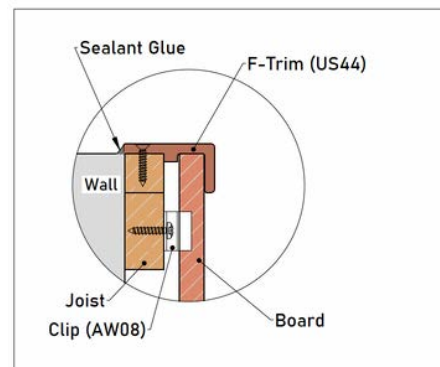


Diagram 95

FLAT SIDING

VERTICAL INSTALLATION GUIDE



NewTechWood is a registered trademark of NewTechWood Corporation. To obtain a copy of the most current version of this installation guide, visit us online at www.newtechwood.ca

NewTechWood
CANADA

V2024-08-CAD