

# NewTechWood

CANADA



## FLAT SIDING

HORIZONTAL INSTALLATION GUIDE



---

PROFILES UH67, US31 & US09

# TABLE OF CONTENTS

2-4

IMPORTANT NOTES

SIDING PARTS

5-8

9

WALL PREPARATION (INCLUDING SOFFIT SPECS)

EXPANSION AND CONTRACTION

TABLE

10

11

LOCKING THE SIDING BOARD

BUTT JOINTS GUIDELINES

12-13

14-15

FRAMING

16-22

BETWEEN THE OUTERMOST EDGE & THE INSIDE CORNER

23-28

BETWEEN THE INSIDE CORNER & THE BUTT JOINT

29-35

BETWEEN THE BUTT JOINT & THE OUTSIDE CORNER

35-41

BETWEEN THE OUTSIDE CORNERS

42-48

BETWEEN THE OUTSIDE CORNER & THE OUTERMOST EDGE

49-50

FINISH THE TOP

## IMPORTANT

### READ ALL SECTIONS BEFORE YOU START

Prior to installing any composite cladding system, it is recommended that you check with local building codes for any special requirements or restrictions. The diagrams and instructions outlined in this guide are for illustration purposes only and are not meant or implied to replace a licensed professional. Any construction or use of NewTechWood must be in accordance with all local zoning and/or building codes. The consumer assumes all risks and liability associated with the construction and use of this product.

**Ensure that the delivered product matches the order (color, model, size, quantity, accessories); inspect each piece before installation.**

**Do not install a product that appears or is believed to be defective.**

**A defective product will not be covered by the warranty if it is installed.**

### Stocking

NewTechWood siding boards are a finished product. Boards **MUST** be stored flat and off the ground prior to installation. NewTechWood recommends storing on pallets.

NewTechWood products **MUST** be kept dry and stored in a covered area. Material on-site must be covered with a tarp before installation. Moisture saturation before installation may result in swelling, shrinkage or board damage. Do not install saturated boards.

NewTechWood is not responsible for damage caused by improper storage and handling of the NewTechWood product.

### Safety

When dealing with any type of construction project, it is necessary to wear appropriate safety equipment to avoid any risk of injuries. NewTechWood recommends, but is not limited to the following safety equipment, when handling, cutting, and installing NewTechWood: gloves, respiratory protection, long sleeves, pants, and safety glasses.

### Tools

Standard woodworking tools may be used. Begin each project with a new blade. It is recommended that all blades have a carbide tip. Standard stainless steel or acceptable coated deck screws are recommended.

### Environment

A clean, smooth, flat, and strong surface is needed to install NewTechWood's products correctly. Please check with local building codes before ever installing any type of cladding. If installation does not occur immediately, NewTechWood's products need to be put on a flat surface at all times. It should **NEVER** be put on a surface that is **NOT** flat.

## IMPORTANT

### READ ALL SECTIONS BEFORE YOU START

#### Planning

Plan a layout for your cladding before starting it to ensure the best possible looking cladding for your project. Building codes and zoning ordinances generally apply to permanent structures, meaning anything that is anchored to the ground or attached to the house. So nearly every kind of cladding requires permits and inspections from a local building department. We recommend drawing out a site plan of your proposed project that you intend to do to minimize errors and make your perfect wall cladding.

Pressure wash on a scrap piece of material before using a pressure washer on the profiles to make sure that your settings will not damage the Ultrashield coating.

#### Construction

NewTechWood UltraShield is NOT intended for use as columns, support posts, beams, joist stringers, support against a force, or other primary load-bearing members. NewTechWood must be supported by a code-compliant substructure. While NewTechWood products are great for retrofits, NewTechWood's products CANNOT be installed on existing cladding boards.

#### Heat and Fire

Excessive heat on the surface of NewTechWood products from external sources such as but not limited to fire or reflection of sunlight from energy efficient window products. This extreme elevation of surface temperatures, which exceeds that of normal exposure, can possibly cause NewTechWood products to melt, sag, warp, discolor, increase expansion/contraction, and accelerate weathering.

#### Fasteners

When fastening NewTechWood's products all screws that are face fastened should always be driven in at a 90 degree angle to the cladding surface. Toe nailing/screwing should never be done to the products. An extra furring strip should be added if a 90 degree angle cannot be driven into the board. All fasteners should be on their own independent furring strips, when two boards ends meet each other there must be a sister furring strip. The end of each board must sit on its own furring strip.

Use white chalk, straight boards, or string lines as templates for straight lines. NEVER USE COLORED CHALK. Colored chalk will permanently stain NewTechWood's products and are highly not recommended.

All screws that are face fixed should always be NewTechWood coloured stainless steel screws (CS-100).

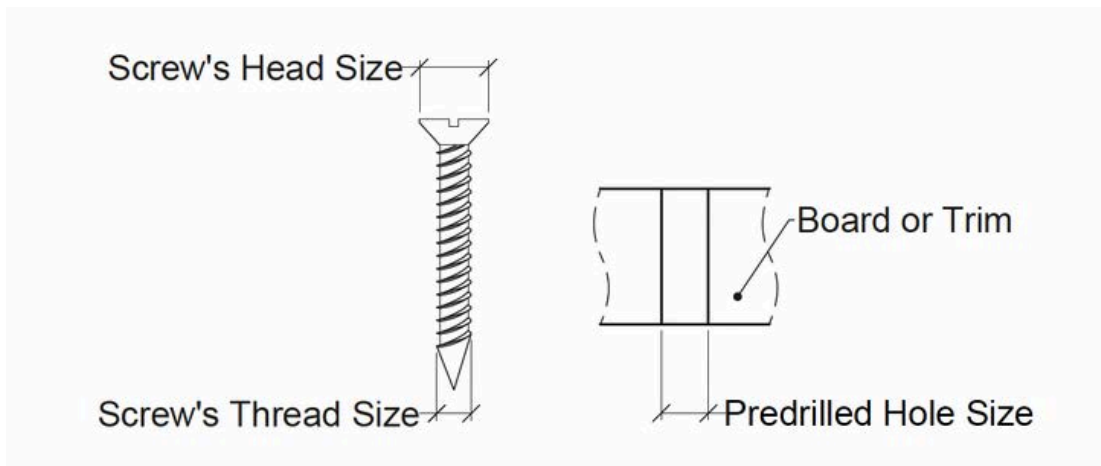


# IMPORTANT

## READ ALL SECTIONS BEFORE YOU START

### Predrill







It is recommended to use NewTechWood's #8 pan head colour screw for face fixing the profiles onto the furring strips. When face fixing, it is recommended to predrill the holes slightly larger on the profiles to allow for expansion and contraction response to temperature change, as shown in below diagram.



The predrilled hole size should be larger than the screw thread size, from 1/16" (1.5 mm) to 5/64" (2 mm). Moreover, the predrilled hole size should also be smaller than the screw head size, at least 5/64" (2 mm). A washer can be applied if the predrilled hole size is smaller than the screw head size below 5/64" (2 mm).







# Flat Siding

- BOARDS AND TRIMS

PRODUCT	PURPOSE	PART
UH67	Shiplap Siding Available in 12 & 16 feet.	
US31	Gap Siding Available in 12 & 16 feet.	
US09	Shou Sugi Ban Available in 12 & 16 feet.	
US44	End Trim, used on the outermost edges. Available in 16 feet	
US45	I-Trim, used if there is a break between two boards to cover up the gap. Available in 16 feet	
US46	Outside Corner Trim, used on the inside corners. Available in 16 feet	

# Flat Siding




- TRIMS AND ACCESSORIES

PRODUCT	PURPOSE	PART
US47	Inside Corner Trim, used on the inside corners	
AW02	Siding Starter Bar	
AW24	Double clip designed to secure butt joints	
AW08	Siding Clip used at every furring strip to support each board to the strip.	
T7	Rubber Stopper, serves as a spacer to support the final board when clips cannot be installed	
CS	Coloured Screws	

# Flat Siding

- SCREWS FOR WOOD FURRING STRIP

The table below shows the screws recommended to use for the installation, but not included.

PRODUCT	PURPOSE	PART
#5 x 1/2" Stainless Steel SS304	Used when locking the board into AW08	
#8 x 1" Stainless Steel SS304 (pan head)	Used when installing the Clip (AW08) and the Rubber Stopper (T-7) onto wood joists	
#8 x 1 1/4" Stainless Steel SS304 (flat head)	Used when installing the boards and the trims onto the wood joists	

**\*Note:** All screws are based on our recommendation and if the installation requires something different than what is shown, a professional should be consulted before installing.




The following installation guide will use the above screw sizes.



# Flat Siding

- SCREWS FOR ALUMINUM FURRING STRIP

The table below shows the screws recommended to use for the installation, but not included.

PRODUCT	PURPOSE	PART
#5 x 1/2" Stainless Steel SS304	Used when locking the board into the clip (AW08)	
#8 x 1" Stainless Steel SS410 (pan head)	Used when installing the clip (AW08) and the Rubber Stopper (T7) onto aluminum furring strips	
#8 x 1 1/4" Stainless Steel SS410 (flat head)	Used when fixing the trims onto the aluminum furring strips	

**\*Note:** All screws are based on our recommendation and if the installation requires something different than what is shown, a professional should be consulted before installing.

The following installation guide will use the above screw sizes.

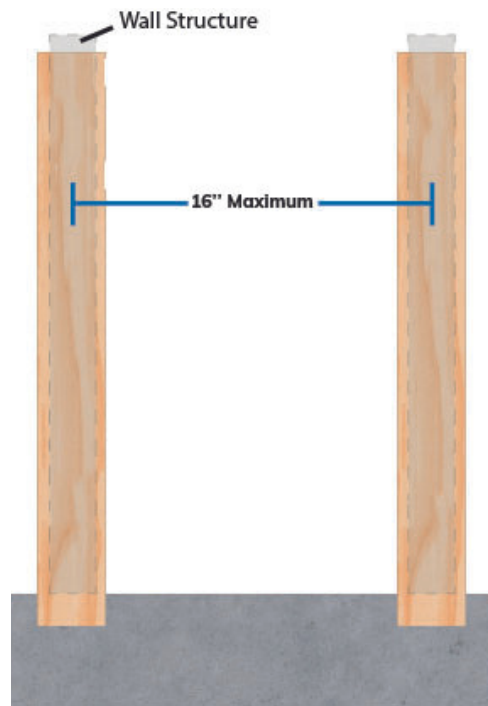
# Flat Siding

---

- WALL PREPARATION

We recommend for the under construction aluminum or pressure treated wood furring strips. Each cladding board needs to be supported by a furring strip **NO MORE than 16 inches (406 mm)** from center to center. Extra care is required in order to provide sufficient strapping in and around obstacles such as windows, fascia's, soffits, guttering, ventilation points etc.

When used as **SOFFIT or CEILING**, the maximum distance between furring strips, center-to-center is **12 inches (305mm)**.



## INSTALLATION ON ICF / RIGID INSULATION

For installation on rigid insulation or ICF, double furring is highly recommended to more effectively evacuate heat/moisture that may accumulate between the cladding and the rigid insulation/ICF. It is also recommended to level the strips well with shims or use sufficiently thick aluminum strips to have perfectly straight and leveled strips.

# Flat Siding

---

- EXPANSION AND CONTRACTION VALUES

NewTechWood siding boards will experience expansion and contraction with changes in temperature. Expansion and contraction are most significant where extreme temperature changes occur. Fastening the siding planks according to the gapping requirements noted in the following table accommodates for this movement.

## Expansion and Contraction table of values for Canada

Installation temperature (°C)	12 feet (3.66 m)	16 feet (4.88 m)
0	3/16 in	1/4 in
5	3/16 in	1/4 in
10	1/8 in	3/16 in
15	1/8 in	3/16 in
20	1/16 in	1/8 in
25	1/16 in	1/16 in
30	3/64 in	1/16 in

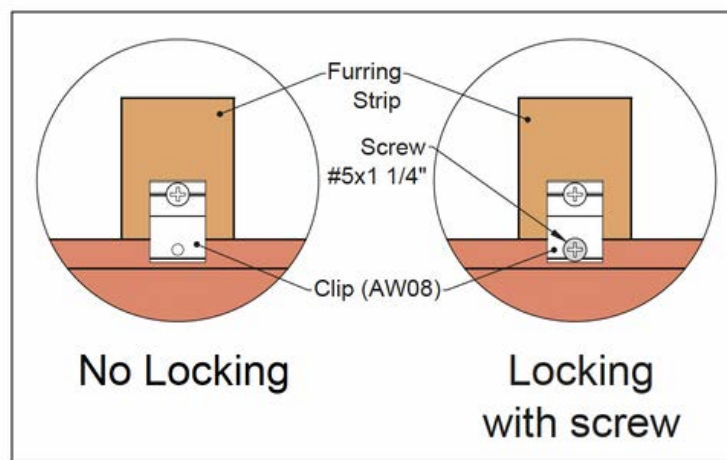
**Note: If you are still unsure of what gapping to use, contact the manufacturer and they will give you the correct gapping requirements based on your environment and area.**

# Flat Siding

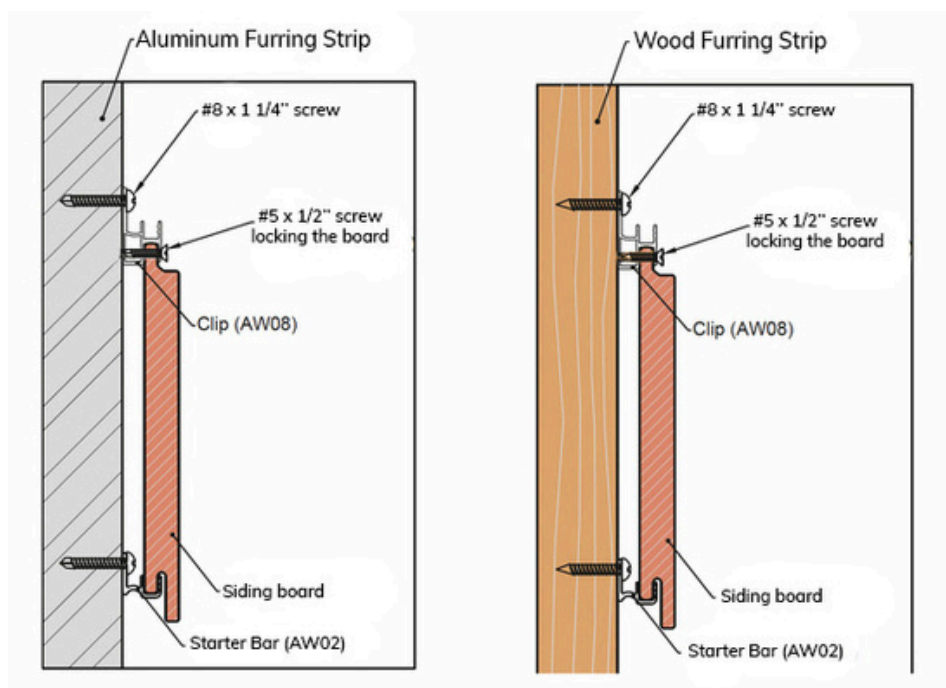
- LOCKING SIDING BOARD

Since the composite wood must allow for expansion and contraction due to temperature change, the board must be locked at one fixed point but only one point to allow the remaining board to expand and contract freely. In the case there is a need to lock the board, Clip (AW08) comes with a separate hole.

It is important **NOT TO LOCK** any other clips for the same board.



## Horizontal Installation



# Flat Siding

- LOCKING SIDING BOARD

When installing horizontally, it is required to lock the clip (AW08) at the middle of the board to allow the remaining board to expand and contract freely, as shown in Diagram A1.

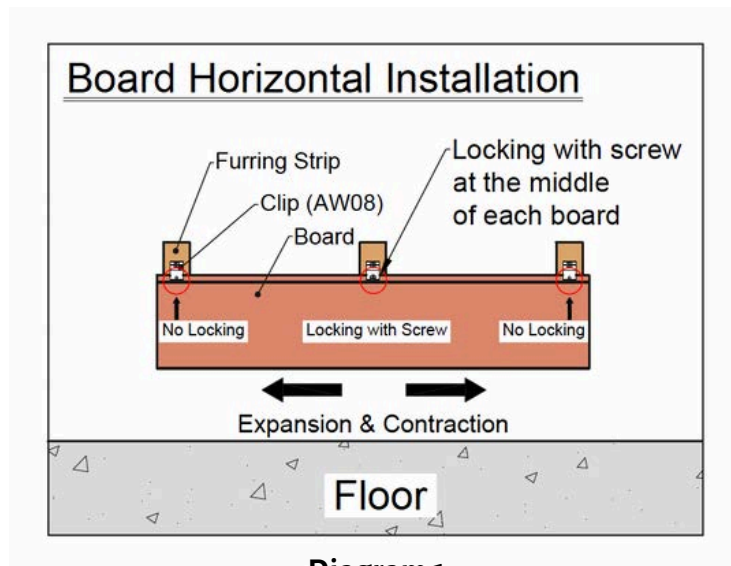


Diagram 1

When installing more than one board horizontally, it is recommended to utilize the I-Trim (US45) at each butt joint. It is also required to lock the Clip (AW08) at the middle of each board, as shown in Diagram 2.

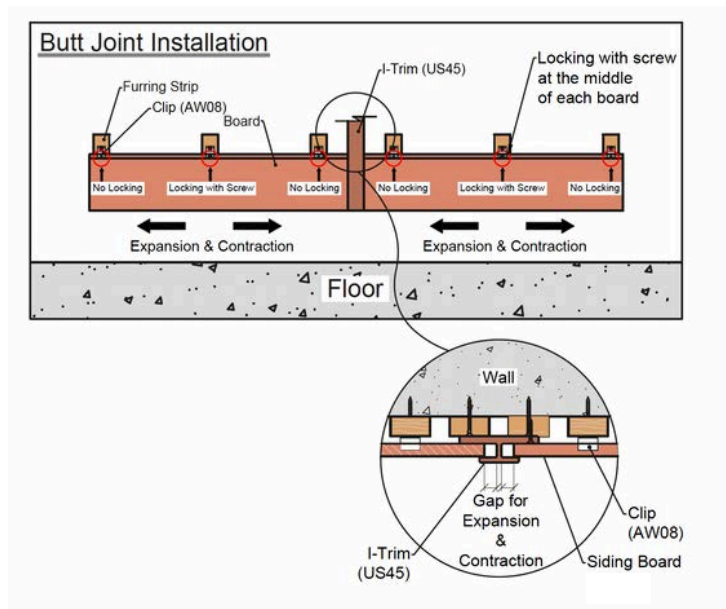


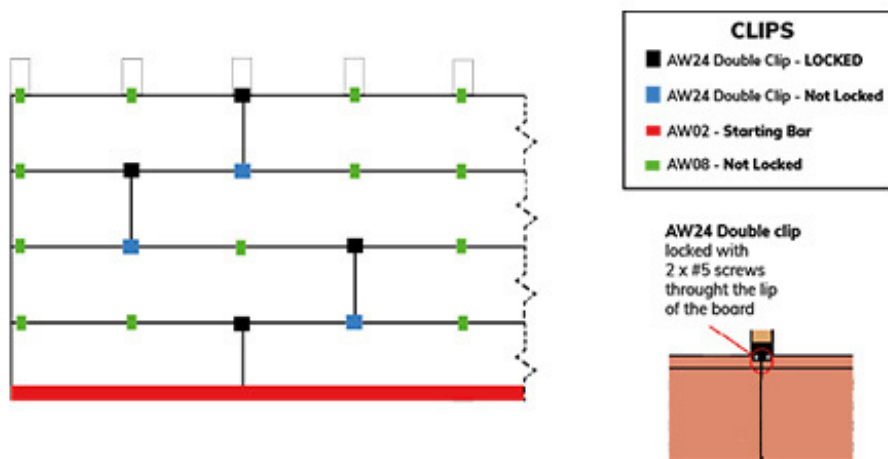
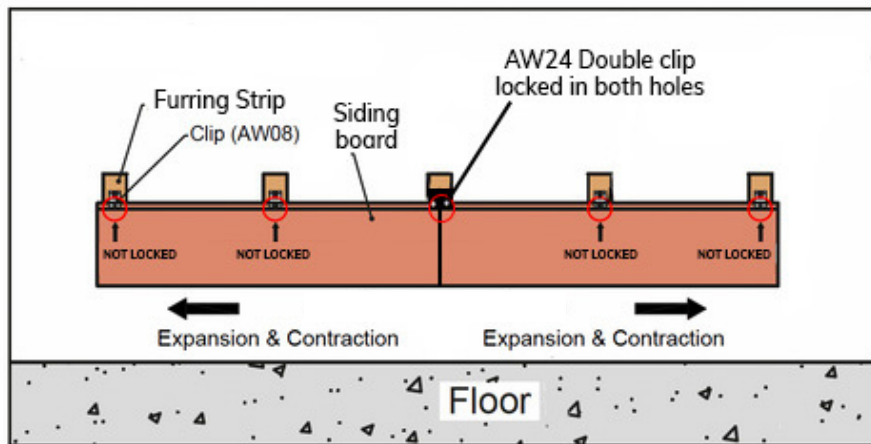
Diagram 2

# Flat siding - horizontal installation

- LOCKING THE SIDING BOARD – **BUTT JOINTS**

There is also the possibility of making direct butt joints with our product. These guidelines must be followed:

1. Butt joints must be centered on a furring strip.
2. Never make two butt joints on the same line.
3. Do not lock a clip anywhere else on the board when you installed a locked butt joint.



**ALWAYS ALIGN BUTT JOINTS WITH THE CENTER OF A FURRING STRIP**



# Flat siding - horizontal installation

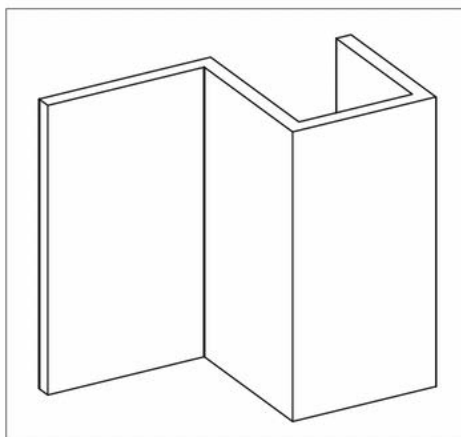
- FRAMING

The frame needs to be level before installing the Siding boards.

**Note:**

**An adequate span between the joists is required to keep the Siding boards from bending. Please review page 10 of this installation guide to see what span is needed.**

The below diagram shows the wall replicating different scenarios potentially occurring when installing the Siding boards.



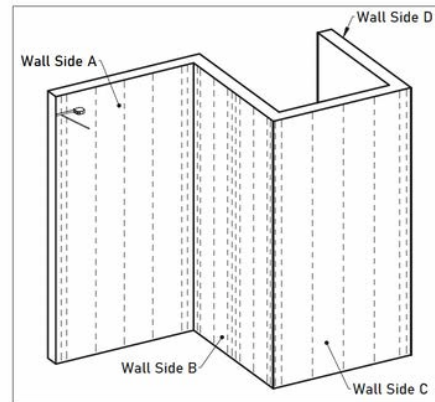
**Diagram 4**

**Note:**

**We are using wood joists for this installation. If you are using aluminum joists, please refer to page 8 of this installation guide for the correct recommended screws.**



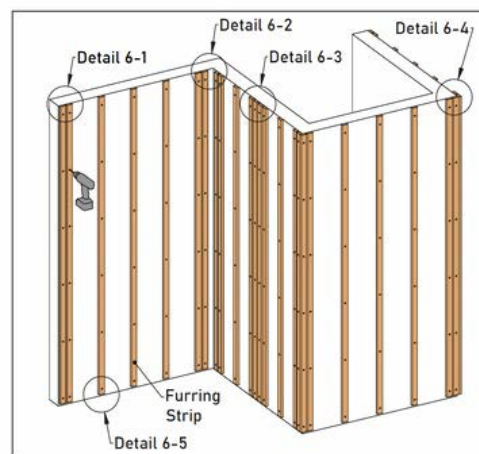
Measure and chalk the joists according to the span data specified on page 8 of this installation guide, as shown in Diagram 5.



**Diagram 5**



Fix the joists onto the wall that you intend to install with screws, as shown in Diagram 6. The distance between the screws should be at least 19 5/8" (500mm) and max to 39 3/8" (1000mm). Detail 6-1 to Detail 6-4 show the recommended joist distance to install the various trims securely.



**Diagram 6**

# Flat siding - horizontal installation

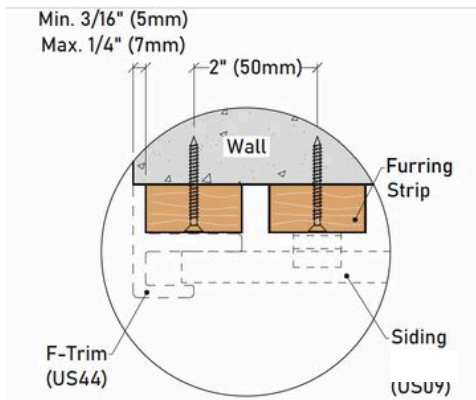
- FRAMING

2.1 For the Outermost Edge, please install according to Detail 6-1.

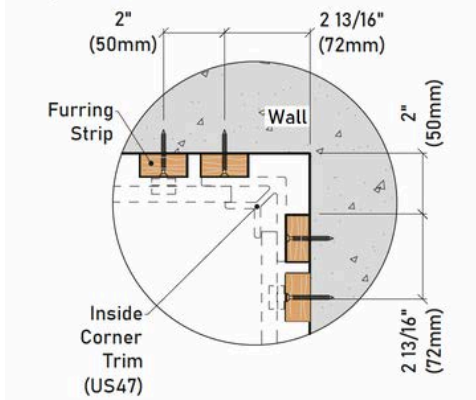
2.2 For the Inside Corner, please install according to Detail 6-2.

2.3 For the Butt Joint of two-column boards with I-Trim (US45), please install according to Detail 6-3.

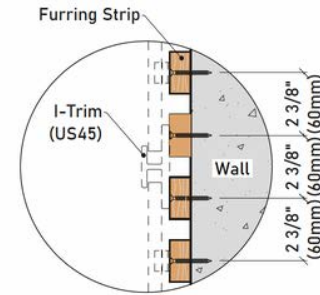
2.4 For the Outside Corner, please install according to Detail 6-4.



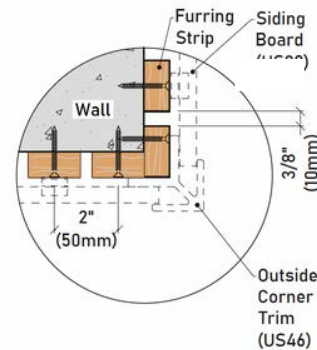
Detail 6-1



Detail 6-2



Detail 6-3

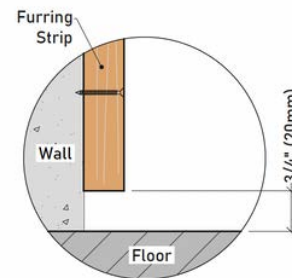


Detail 6-4

**Note:**

1. It is recommended to leave a gap from min 3/16" (5mm) and Max. to 1/4" (7mm) between the wall's outermost edge and the joist, as shown in Detail 6-1.

2. A minimum gap of 3/4" (20mm) needs to be left between the bottom of the joist and the floor, as shown in Detail 6-5.



Detail 6-5

# Flat siding - horizontal installation

- INSTALLATION

3

## Wall Side A (Between the Outermost Edge and the Inside Corner)

Fasten the Inside Corner Trim (US47) onto the joists with screws. The screws in-between distance should be at least 19 5/8" (500mm), and Max. to 39 3/8" (1000mm). It is recommended to begin the installation from the inside corner, as shown in Diagram 7 and Detail 7-1 .

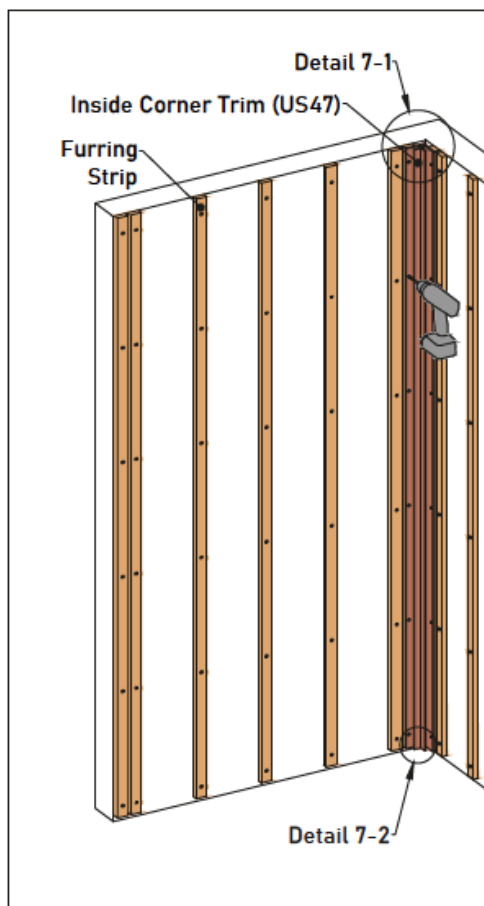
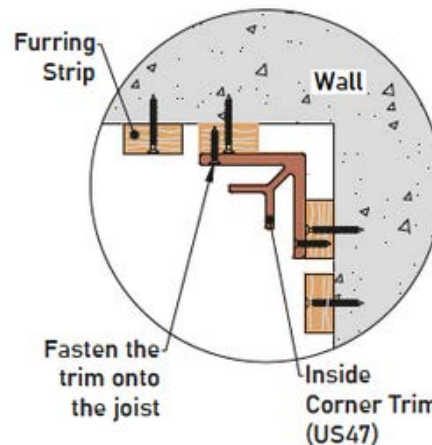


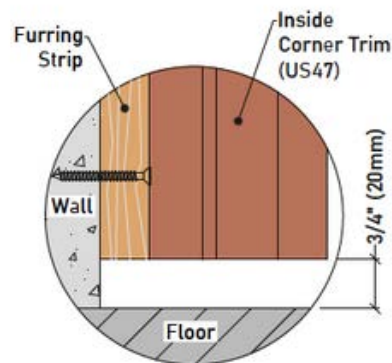
Diagram 7



Detail 7-1

### Note:

1. Pre-drill the screw holes for the Inside Corner Trim (US47) before installation.
2. A minimum gap of 3/4" (20mm) needs to be left between the Inside Corner Trim (US47) and the floor, as shown in Detail 7-2.



Detail 7-2

# Flat siding - horizontal installation

- INSTALLATION

4

Install the Starting Trim (AW02) at the joist's bottom with screws, as shown in Diagram 8.

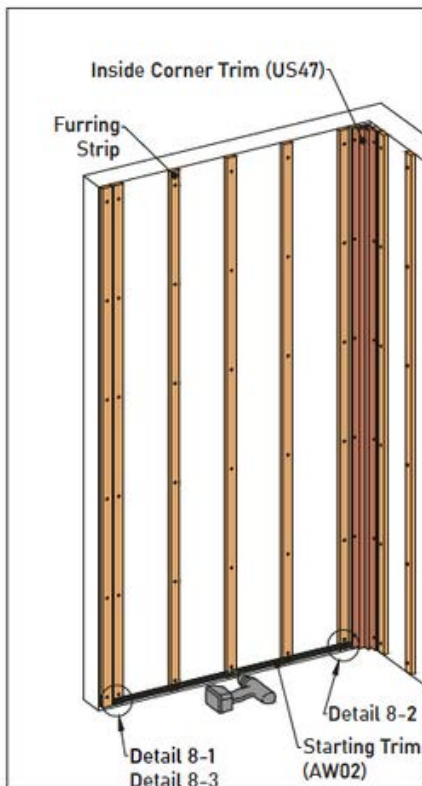


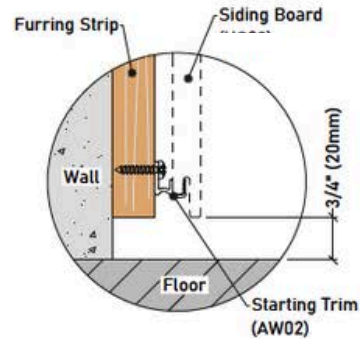
Diagram 8

**Note:**

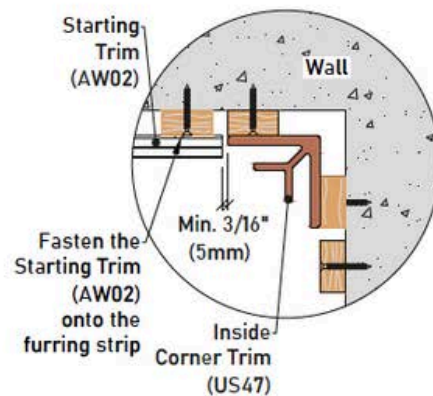
1. Pre-drill the screw holes for the Starting Trim (AW02) before installation.
2. A minimum gap of 3/4" (20mm)

needs to be left between the Starting Trim (AW02) and the floor, as shown in Detail 8-1 .

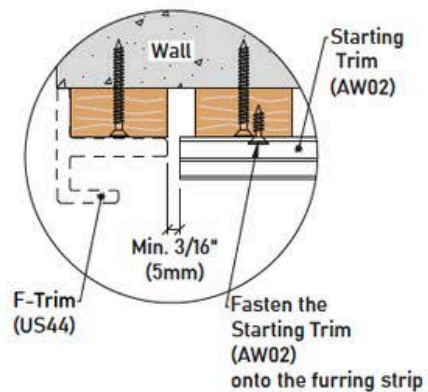
3. A minimum gap of 3/16" (5mm) needs to be left between the Starting Trim (AW02) and the F-Trim (US44), as shown in Detail 8-2 and Detail 8-3.



Detail 8-1



Detail 8-2



Detail 8-3

# Flat siding - horizontal installation

- INSTALLATION

5

Put the Siding Board over the Starting Trim (AW02) and fasten it to the joist with Clip (AW08), as shown in [Diagram 9](#).

**Note:**

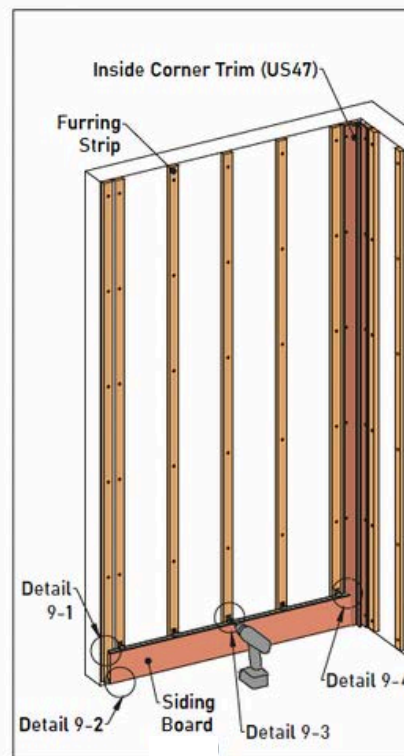
1. Since the composite wood must allow for expansion and contraction due to temperature change, **the board must be locked at one fixed point but only one point** to allow the remaining board to move freely. When installing horizontally, it is required to **lock the Clip (AW08) at the middle of each board**, as shown in [Detail 9-1](#).

**DO NOT LOCK** any other Clip (AW08) for the same board.

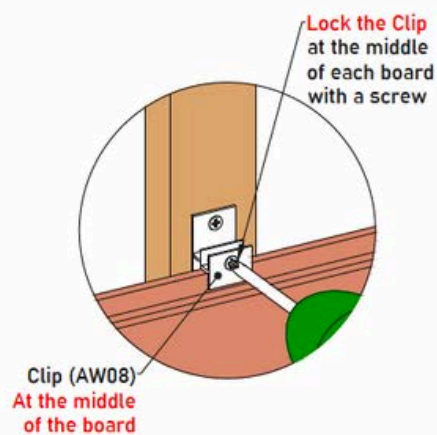
Please review [page 11](#), "[Locking the Siding Board](#)" of this installation guide for further information.

2. The gap between the Siding Board, F-Trim (US44), and the Inside Corner Trim (US47) is vital to avoid warping or buckling, as shown in [Detail 9-2](#) and [Detail 9-3](#). Please select the appropriate gap value according to the [Expansion and Contraction Values Table on page 10](#) of this installation guide.

3. The distance between the Siding Board and the floor should be at least 3/4" (20mm), as shown in [Detail 9-4](#).



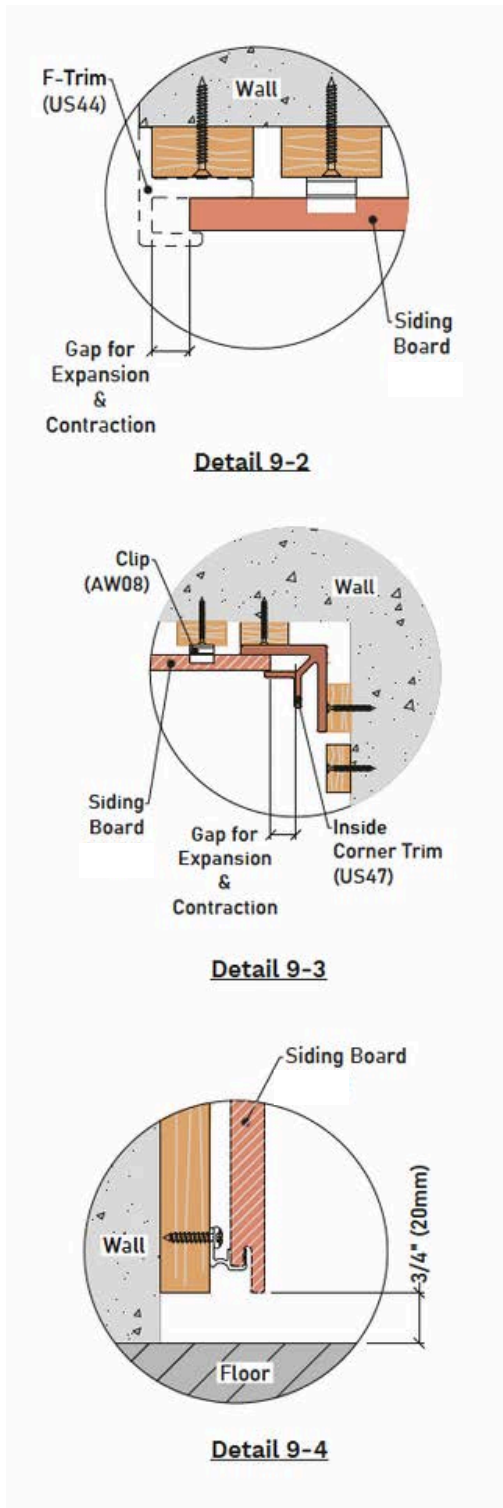
**Diagram 9**



**Detail 9-1**

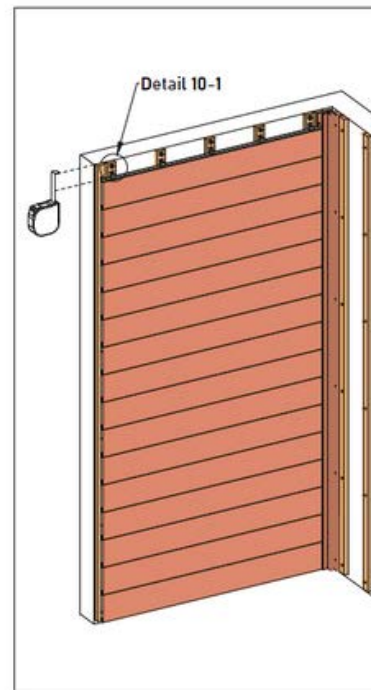
# Flat siding - horizontal installation

- INSTALLATION

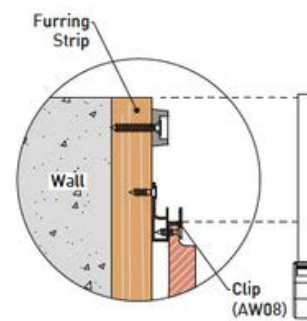


6

When you are at the Siding's last board, measure the distance between the top of the joist and the Clip (AW08), as shown in [Diagram 10](#) and [Detail 10-1](#).



**Diagram 10**



**Detail 10-1**



# Flat siding - horizontal installation

- INSTALLATION

7

Cut the Siding Board according to the measured length, as shown in [Diagram 11](#) and [Detail 11-1](#).

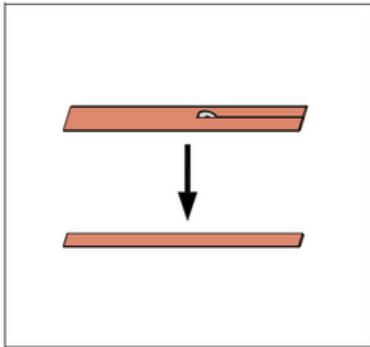
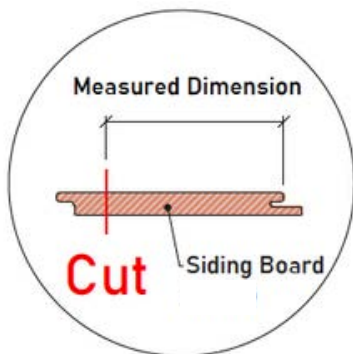


Diagram 11



Detail 11-1

8

Then install the Rubber Stopper (T-7) on to each joist with screws, as shown in [Diagram 12](#) and [Detail 12-1](#).

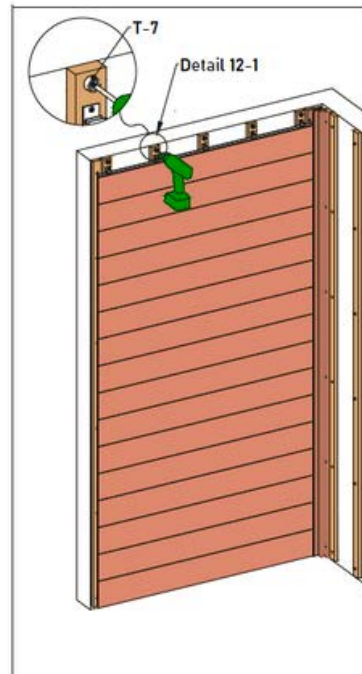
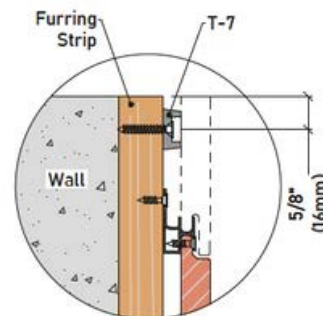


Diagram 12



Detail 12-1

# Flat siding - horizontal installation

- INSTALLATION

9

Put the cut Siding Board over the Clip (AW08) in position and then face fix it onto each joist along the length of the board over the Rubber Stopper (T7), as shown in [Diagram 13](#) and [Detail 13-1](#).

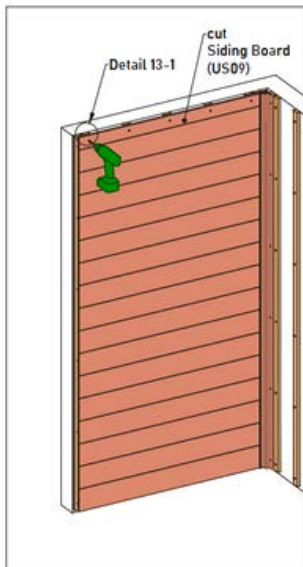
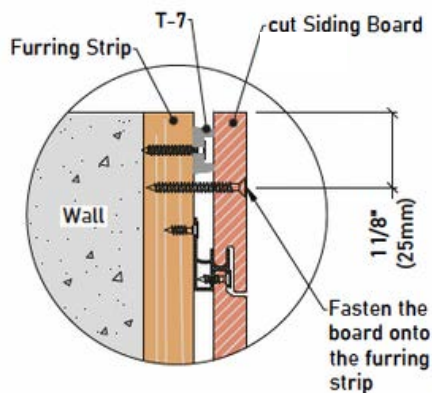


Diagram 13



[Detail 13-1](#)

10

Insert the End Trim (US44) in place, as shown in [Diagram 14](#).

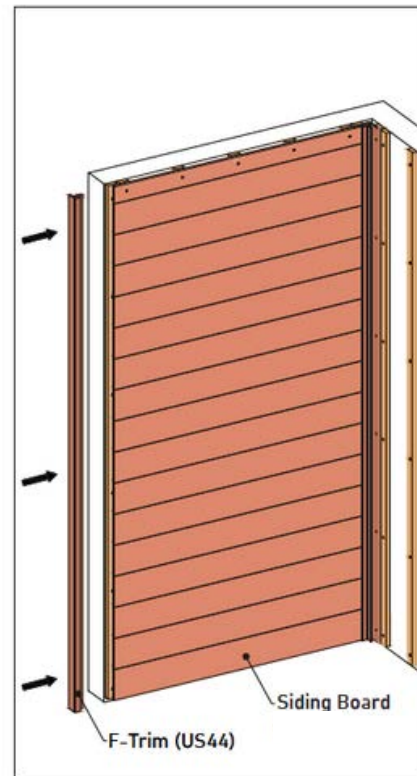


Diagram 14

# Flat siding - horizontal installation

- INSTALLATION

11

Secure the F-Trim (US44) onto the joist with screws, as shown in [Diagram 15](#) and [Detail 15-1](#). The screws in-between distance should be at least 19 5/8" (500mm), and Max. to 39 3/8" (1000mm).

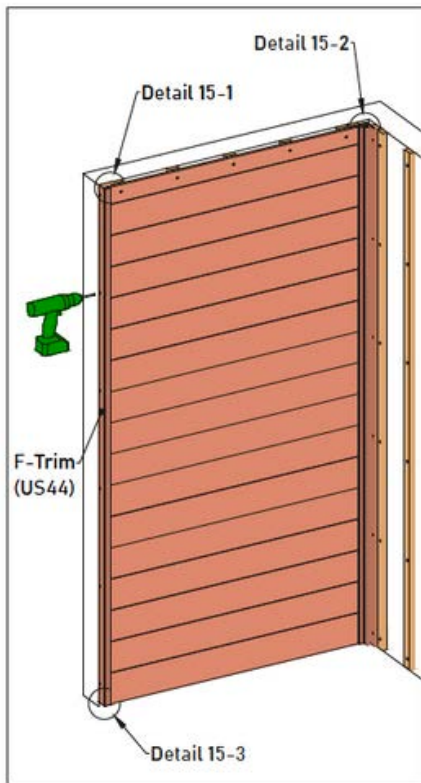
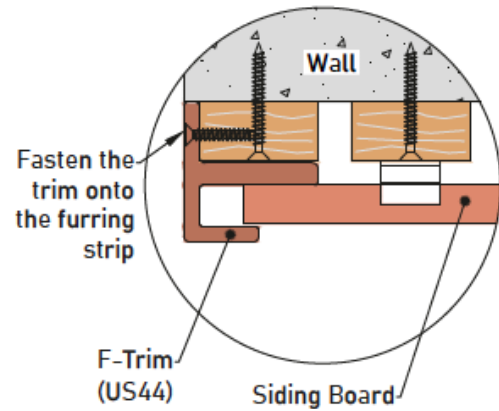


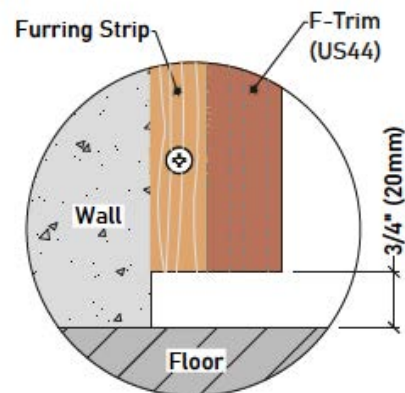
Diagram 15



Detail 15-1

**Note:**

1. Pre-drill the screw holes for the End Trim (US44) before installation.
2. A minimum gap of 3/4" (20mm) needs to be left between the End Trim (US44) and the floor, as shown in Detail 15-2.



Detail 15-2

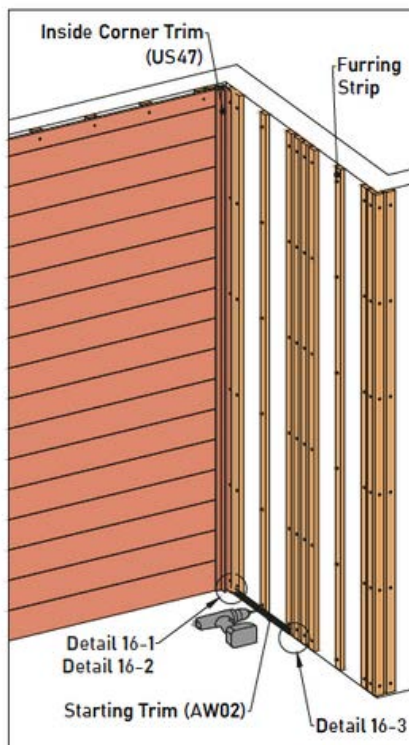
# Flat siding - horizontal installation

- INSTALLATION

12

**Wall Side B (1. Between the Inside Corner and the Butt Joint)**

Install the Starting trim (AW02) at the joist's bottom with screws, as shown in [Diagram 16](#).



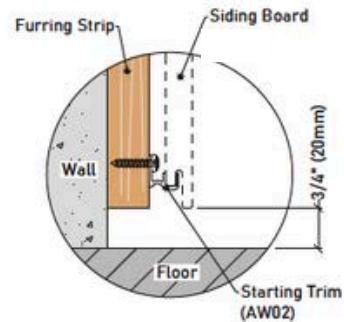
**Diagram 16**

**Note:**

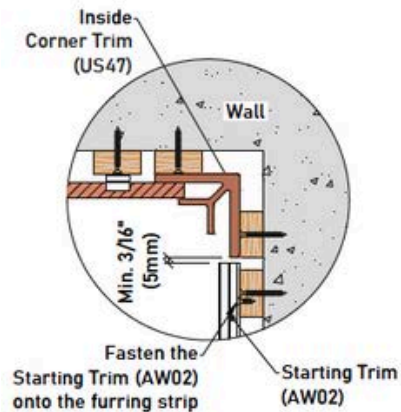
1. Pre-drill the screw holes for the Starting Trim (AW02) before installation.

2. A minimum gap of 3/4" (20mm) needs to be left between the Starting Trim (AW02) and the floor, as shown in [Detail 16-1](#).

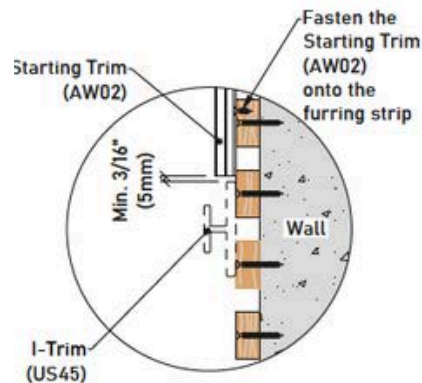
3. A minimum gap of 3/16" (5mm) needs to be left between the Starting Trim (AW02), the Inside Corner Trim (US47), and the I-Trim (US45), as shown in [Detail 16-2](#) and [Detail 16-3](#).



**Detail 16-1**



**Detail 16-2**



**Detail 16-3**

# Flat siding - horizontal installation

- INSTALLATION

13

Put the Siding Board over the Starting Trim (AW08) and fasten it to the joist with Clip (AW08), as shown in [Diagram 17](#).

**Note:**

1. Since the composite wood must allow for expansion and contraction due to temperature change, **the board must be locked at one fixed point but only one point** to allow the remaining board to move freely. When installing horizontally, it is required to **lock the Clip (AW08) at the middle of each board**, as shown in [Detail 17-1](#).

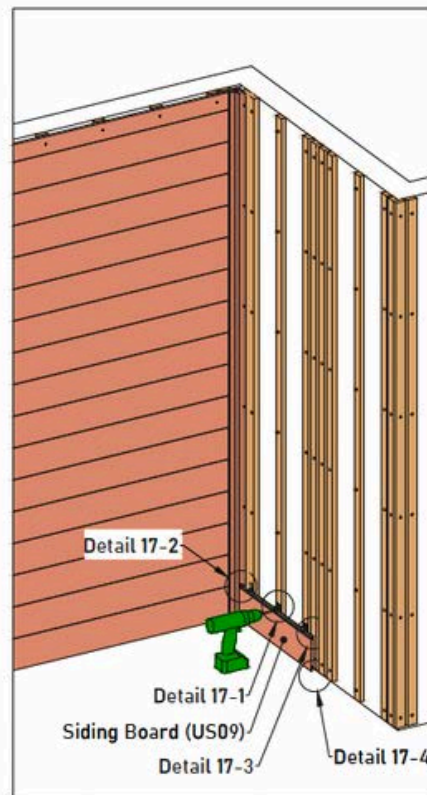
**DO NOT LOCK** any other Clip (AW08) for the same board.

Please review [page 11](#), “[Locking the Siding Board](#)” of this installation guide for further information.

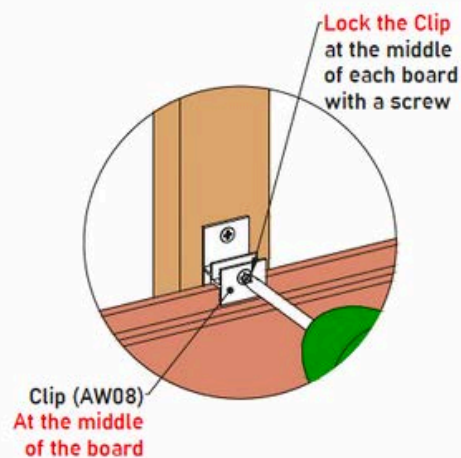
2. The gap between the Siding Board, I-Trim (US45), and the Inside Corner Trim (US47) is vital to avoid warping or buckling, as shown in [Detail 17-2](#) and [Detail 17-3](#).

Please select the appropriate gap value according to the [Expansion and Contraction Values Table on page 10](#) of this installation guide.

3. The distance between the Siding Board and the floor should be at least 3/4" (20mm), as shown in [Detail 17.4](#).



[Diagram 17](#)



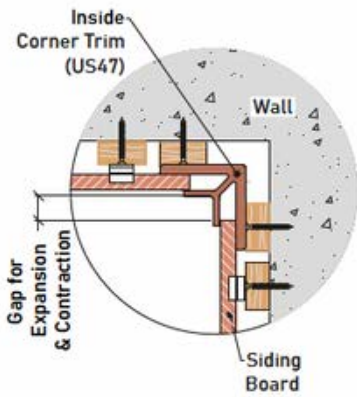
[Detail 17-1](#)



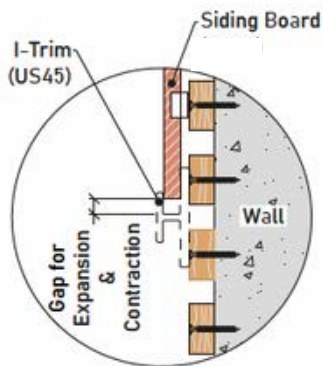
# Flat siding - horizontal installation

- INSTALLATION

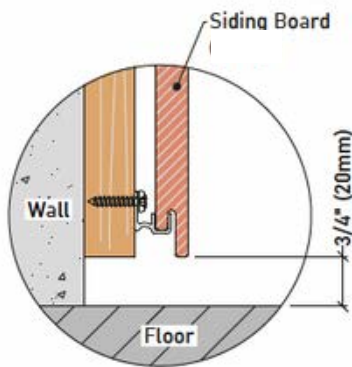
14



**Detail 17-2**

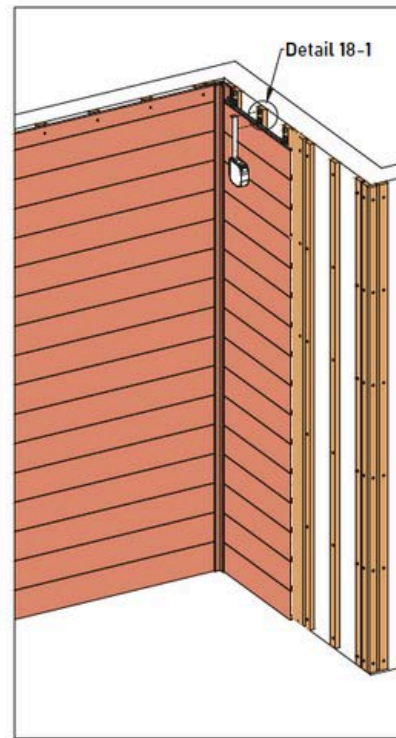


**Detail 17-3**

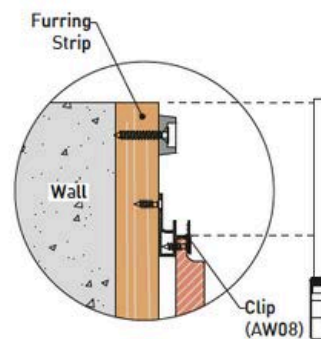


**Detail 17-4**

When you are at the Siding's last board, measure the distance between the top of the joist and the Clip (AW08), as shown in [Diagram 18](#) and [Detail 18-1](#).



**Diagram 18**



**Detail 18-1**



# Flat siding - horizontal installation

- INSTALLATION

15

Cut the Siding Board according to the measured dimension, as shown in [Diagram 19](#) and [Detail 19-1](#).

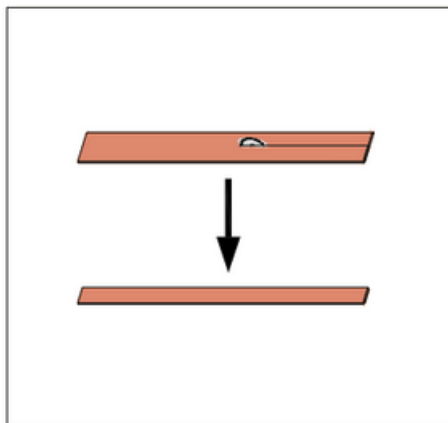
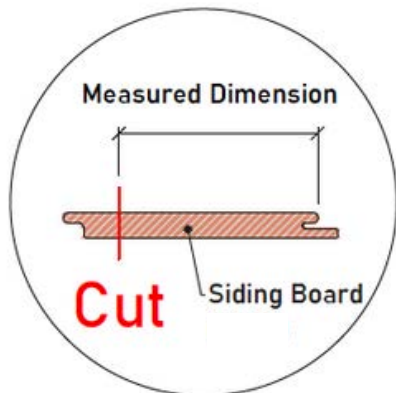


Diagram 19



Detail 19-1

16

Then install the Rubber Stopper (T-7) onto each joist with screws, as shown in [Diagram 20](#) and [Detail 20-1](#).

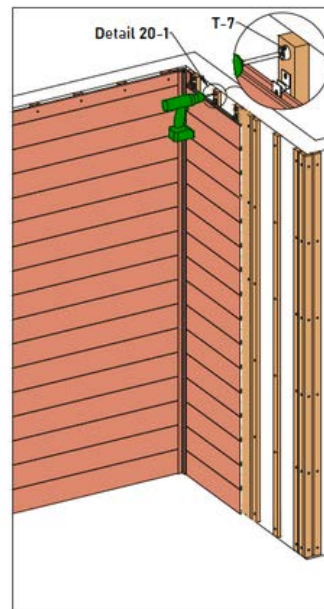
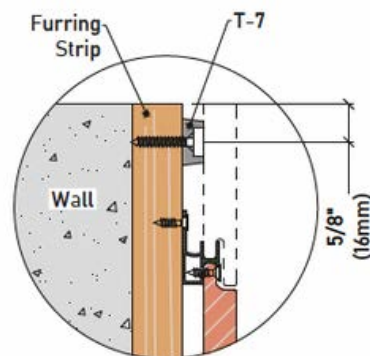


Diagram 20



Detail 20-1

# Flat siding - horizontal installation

- INSTALLATION

17

Put the cut Siding Board over the Clip (AW08) in position and then face fix it onto each joist along the length of the board over the Rubber Stopper (T-7), as shown in [Diagram 21](#) and [Detail 21-1](#).

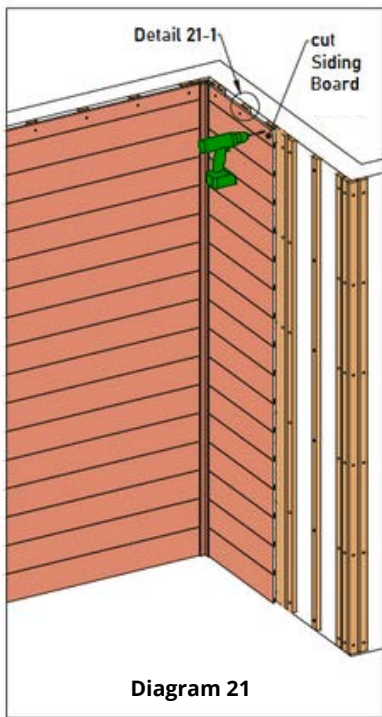
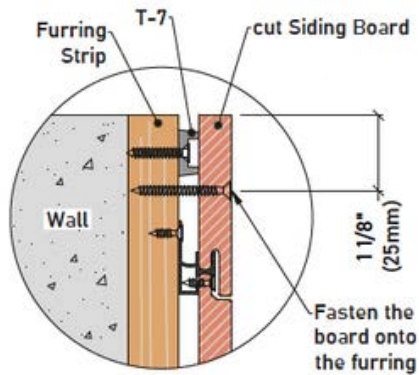


Diagram 21



Detail 21-1

18

Insert the I-Trim (US45) in place, as shown in [Diagram 22](#).

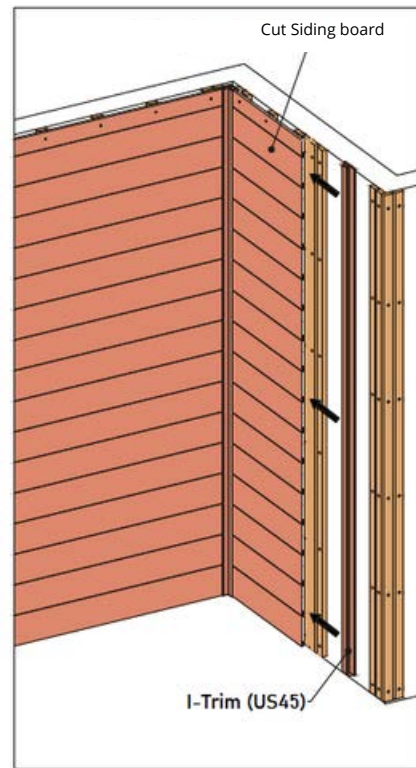


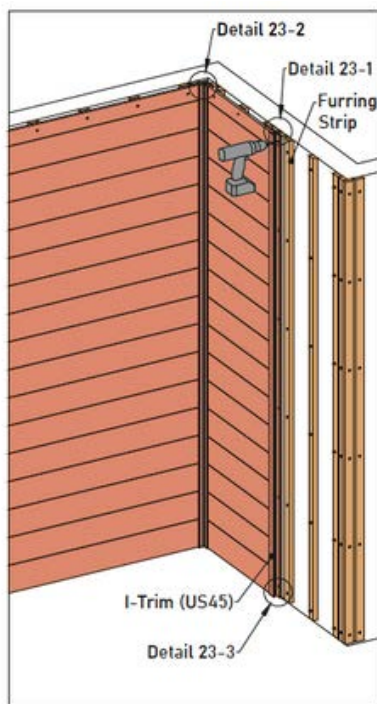
Diagram 22

# Flat siding - horizontal installation

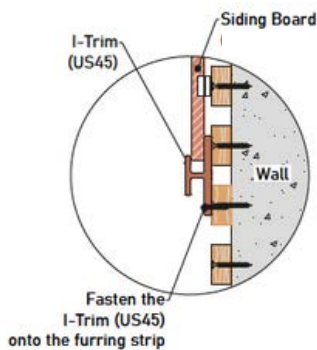
- INSTALLATION

19

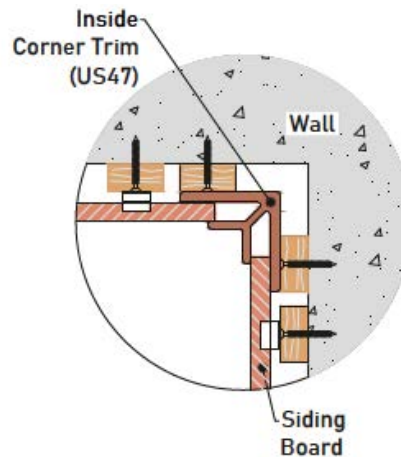
Secure the I-Trim (US45) onto the joists with screws, as shown in [Diagram 23](#) and [Detail 23-1](#). The screws in-between distance should be at least 19 5/8" (500mm), and Max. to 39 3/8" (1000mm). [Detail 23-2](#) presents the complete installation structure of the Inside Corner.



**Diagram 23**



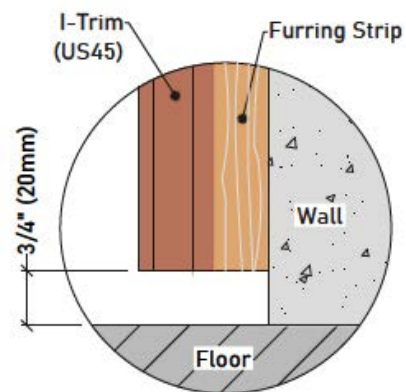
**Detail 23-1**



**Detail 23-2**

**Note:**

1. Pre-drill the holes for the I-Trim (US45) before installation.
2. A minimum gap of 3/4" (20mm) needs to be left between the I-Trim (US45) and the floor, as shown in [Detail 23-3](#).



**Detail 23-3**

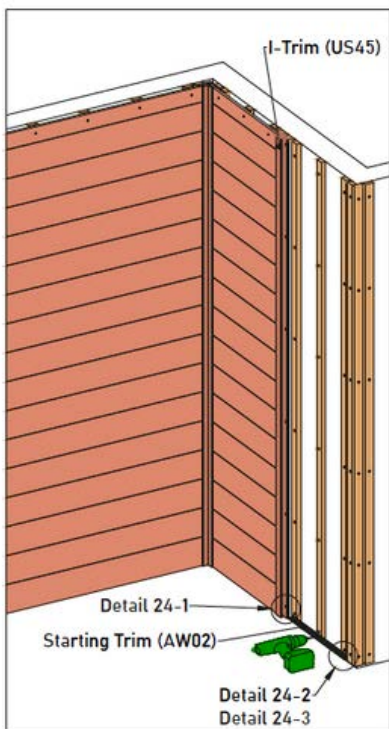
# Flat siding - horizontal installation

- INSTALLATION

20

**Wall Side B (2. Between the Butt Joint and the Outside Corner)**

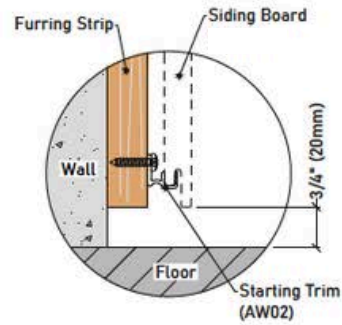
Install the Starting Trim (AW02) at the joist's bottom with screws, as shown in [Diagram 24](#).



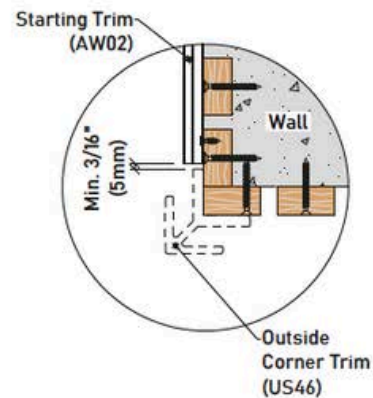
**Diagram 24**

**Note:**

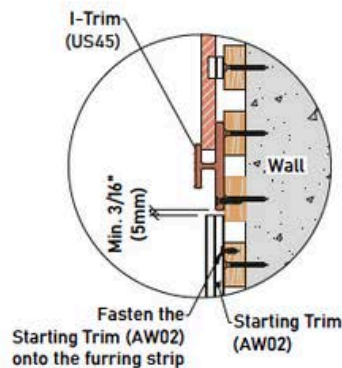
1. Pre-drill the screw holes for the Starting Trim (AW02) before installation.
2. A minimum gap of 3/4" (20mm) needs to be left between the Starting Trim (AW02) and the floor, as shown in [Detail 24-1](#).
3. A minimum gap of 3/16" (5mm) needs to be left between the Starting Trim (AW02), the Outside Corner Trim (US46), and the I-Trim (US45), as shown in [Detail 24-2](#) and [Detail 24-3](#)



**Detail 24-1**



**Detail 24-2**



**Detail 24-3**

# Flat siding - horizontal installation

- INSTALLATION

21

Put the Siding Board over the Starting Trim (AW08) and fasten it to the joist with Clip (AW08), as shown in [Diagram 25](#)

**Note:**

1. Since the composite wood must allow for expansion and contraction due to temperature change, **the board must be locked at one fixed point but only one point** to allow the remaining board to move freely. When installing horizontally, it is required to **lock the Clip (AW08) at the middle of each board**, as shown in [Detail 25.1](#).

**DO NOT LOCK** any other Clip (AW08) for the same board.

Please review [page 11](#), "[Locking the Siding Board](#)" of this installation guide for further information.

2. The gap between the Siding Board, I-Trim (US45), and the Inside Corner Trim (US47) is vital to avoid warping or buckling, as shown in [Detail 25-2](#) and [Detail 25-3](#).

Please select the appropriate gap value according to the [Expansion and Contraction Values Table on page 10](#) of this installation guide.

3. The distance between the Siding Board and the floor should be at least 3/4" (20mm), as shown in [Detail 25.4](#).

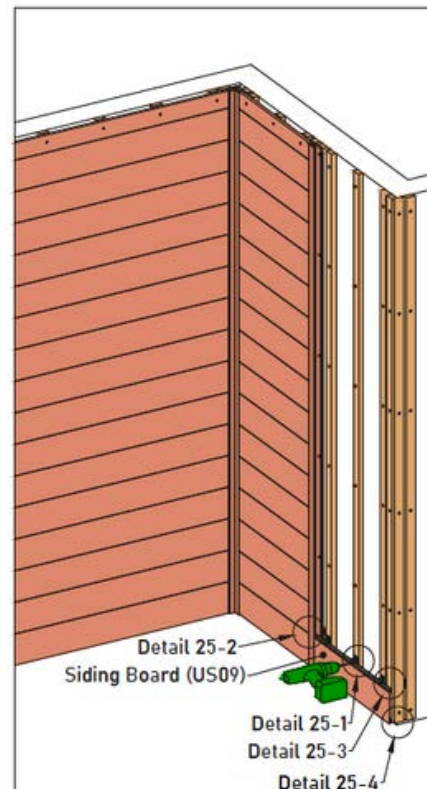
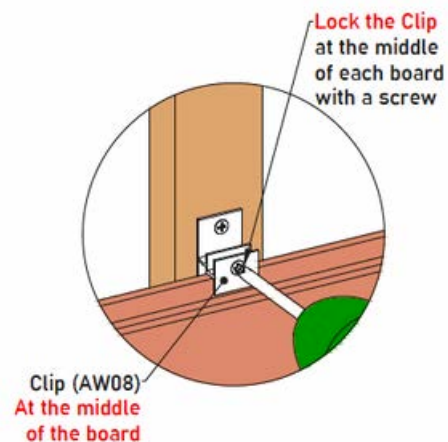


Diagram 25

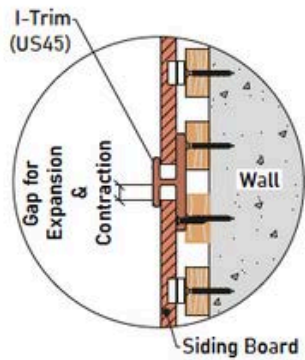


Detail 25-1

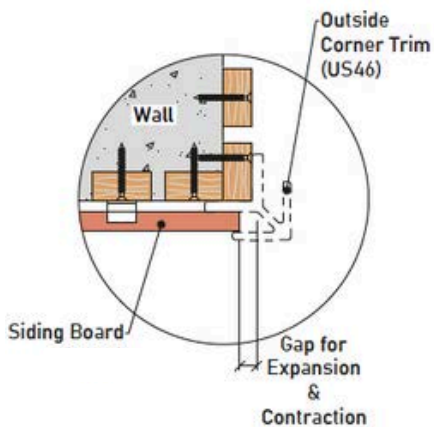


# Flat siding - horizontal installation

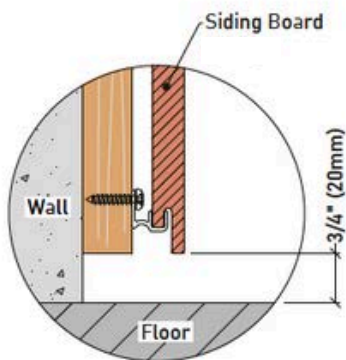
- INSTALLATION



**Detail 25-2**



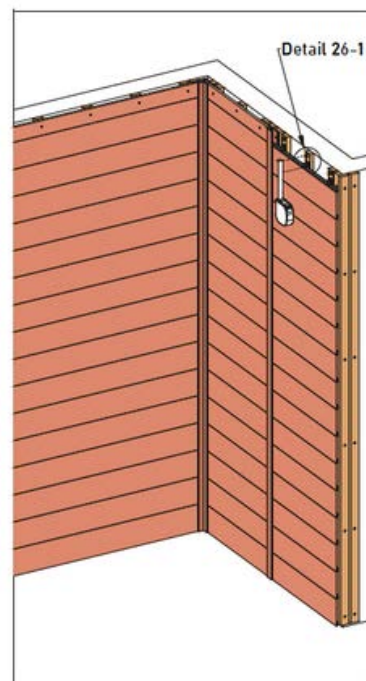
**Detail 25-3**



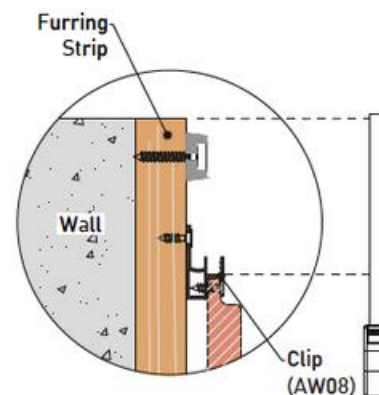
**Detail 25-4**

**22**

When you are on the Siding's last board, measure the distance between the top of the joist and the Clip (AW08), as shown in [Diagram 26](#) and [Detail 26-1](#).



**Diagram 26**



**Detail 26-1**

# Flat siding - horizontal installation

- INSTALLATION

23

Cut the Siding Board according to the measured dimension, as shown in [Diagram 27](#) and [Detail 27-1](#).

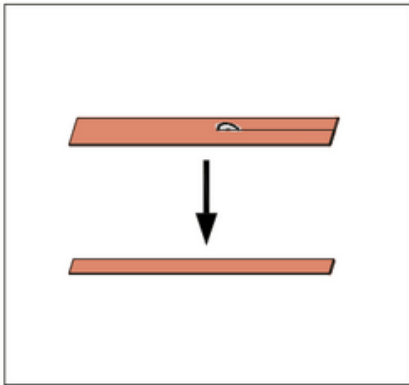
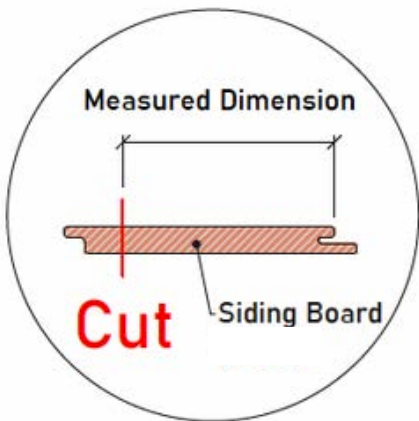


Diagram 27



Detail 27-1

24

Then install the Rubber Stopper (T-7) onto each joist with screws, as shown in [Diagram 28](#) and [Detail 28-1](#).

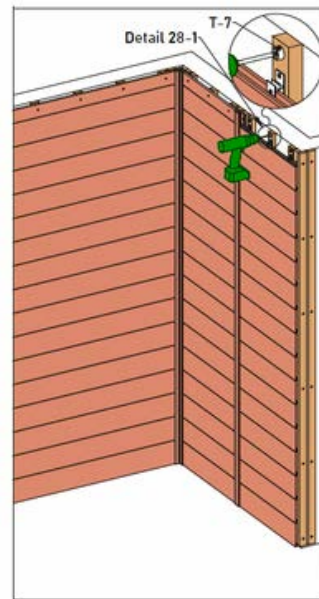
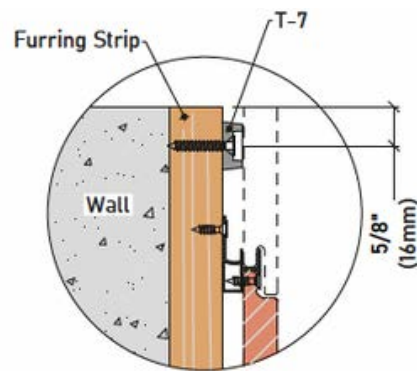


Diagram 28



Detail 28-1

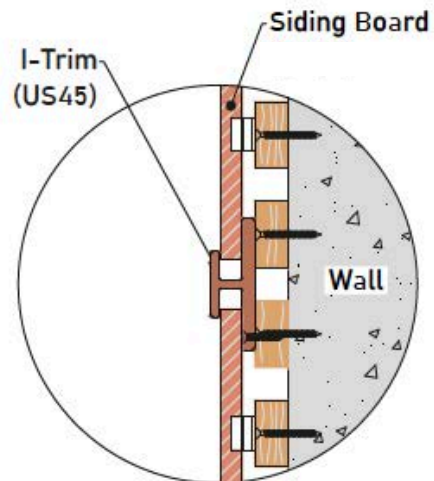
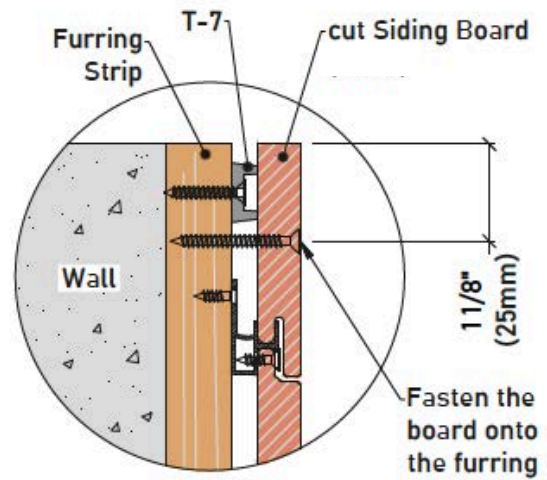
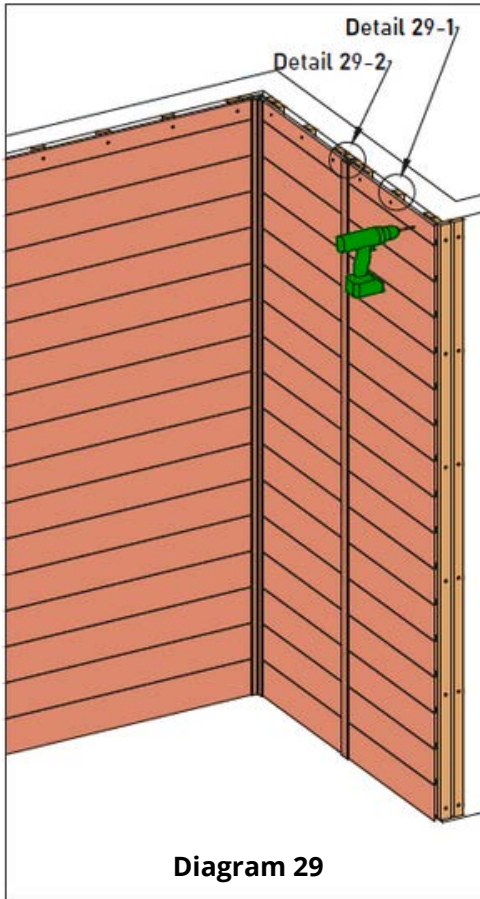


# Flat siding - horizontal installation

- INSTALLATION

25

Cut the Siding Board according to the measured dimension, as shown in [Diagram 27](#) and [Detail 27-1](#).



# Flat siding - horizontal installation

- INSTALLATION

26

Insert the Outside Corner Trim (US46) in place, as shown in [Diagram 30](#).

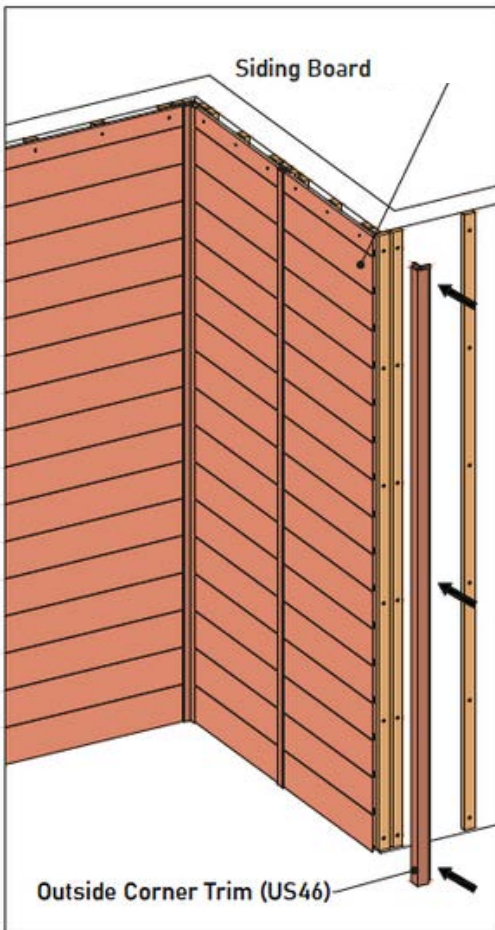


Diagram 30

27

Secure the Outside Corner Trim (US46) onto the joists with screws, as shown in [Diagram 31](#) and [Detail 31-1](#). The screws in-between distance should be at least 19 5/8" (500mm), and Max. to 39 3/8" (1000mm)

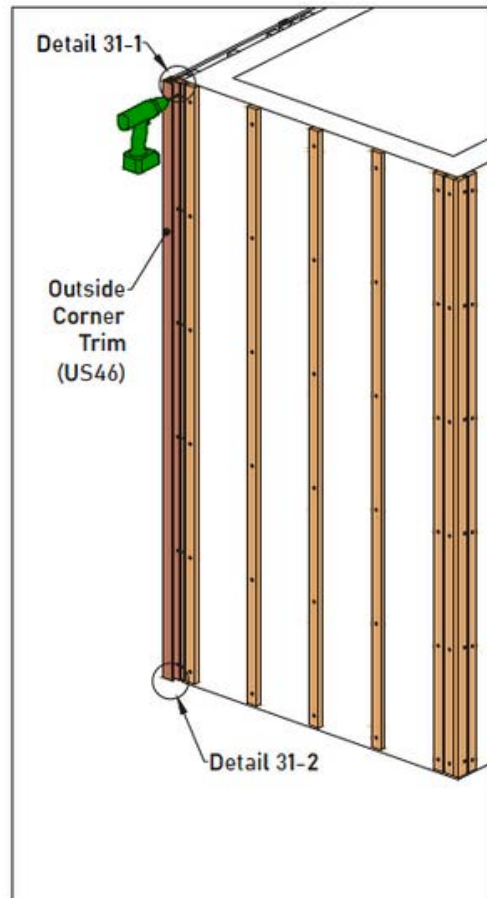


Diagram 31

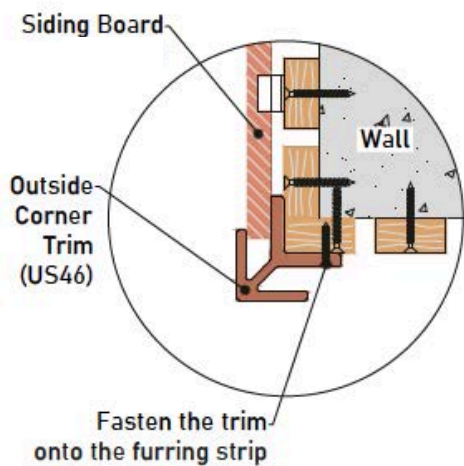
# Flat siding - horizontal installation

- INSTALLATION

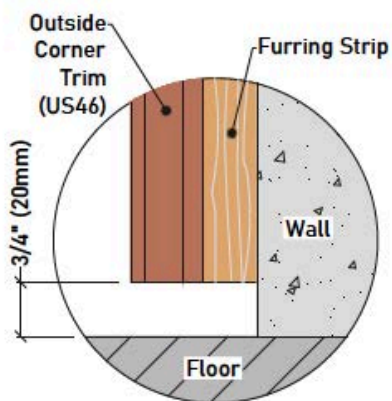
28

Note:

1. Pre-drill the screw holes for the Outside Corner Trim (US46) before installation.
2. A minimum gap of 3/4" (20mm) needs to be left between the Outside Corner Trim (US45) and the floor, as shown in Detail 31-2.



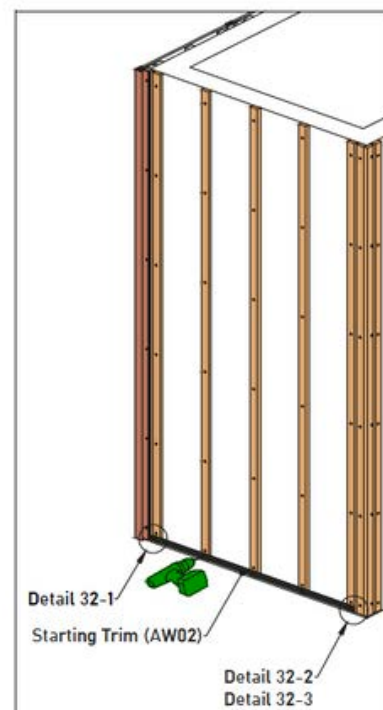
**Detail 31-1**



**Detail 31-2**

## Wall Side C (Between the Outside Corners)

Install the Starting Trim (AW02) at the joist's bottom with screws, as shown in [Diagram 32](#).



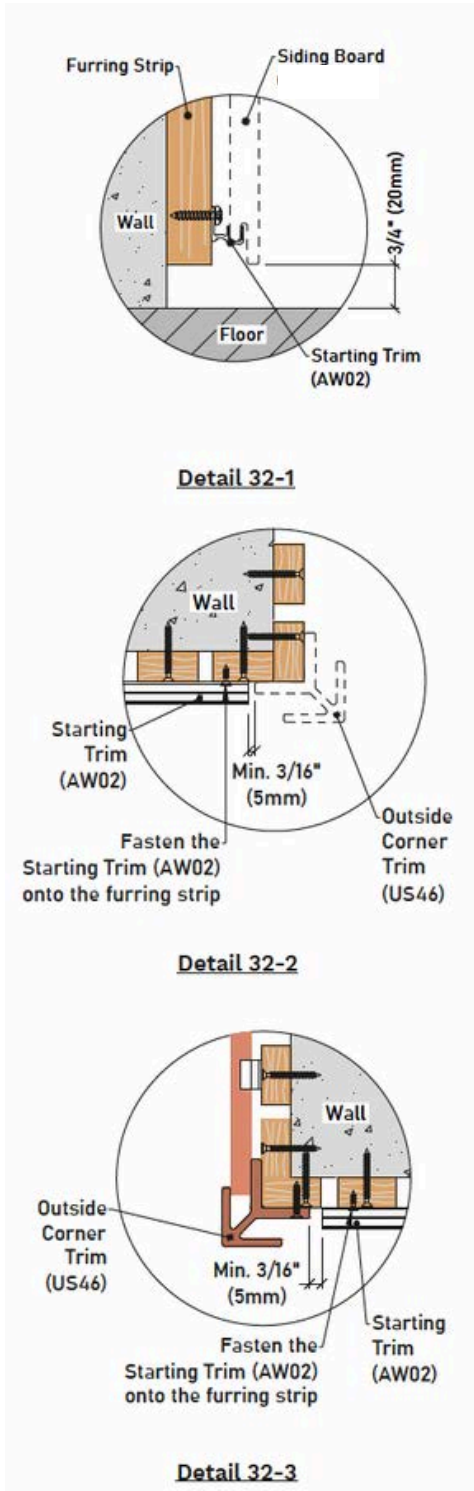
**Diagram 32**

Note:

1. Pre-drill the screw holes for the Starting Trim (AW02) before installation.
2. A minimum gap of 3/4" (20mm) needs to be left between the Starting Trim (AW02) and the floor, as shown in [Detail 32-1](#).
3. A minimum gap of 3/16" (5mm) needs to be left between the Starting Trim (AW02) and the Outside Corner Trim (US46), as shown in [Detail 32-2](#) and [Detail 32-3](#)

# Flat siding - horizontal installation

- INSTALLATION



29

Put the Siding Board over the Starting Trim (AW08) and fasten it to the joist with Clip (AW08), as shown in [Diagram 33](#)

**Note:**

1. Since the composite wood must allow for expansion and contraction due to temperature change, **the board must be locked at one fixed point but only one point** to allow the remaining board to move freely. When installing horizontally, it is required to **lock the Clip (AW08) at the middle of each board**, as shown in [Detail 33.1](#).

**DO NOT LOCK** any other Clip (AW08) for the same board. Please review [page 11](#), "[Locking the Siding Board](#)" of this installation guide for further information.

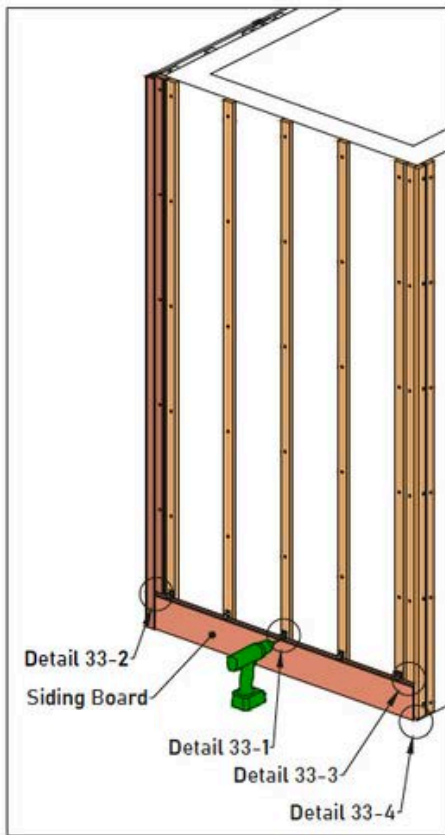
2. The gap between the Siding Board, I-Trim (US45), and the Inside Corner Trim (US47) is vital to avoid warping or buckling, as shown in [Detail 33-2](#) and [Detail 33-3](#).

Please select the appropriate gap value according to the [Expansion and Contraction Values Table](#) on [page 10](#) of this installation guide.

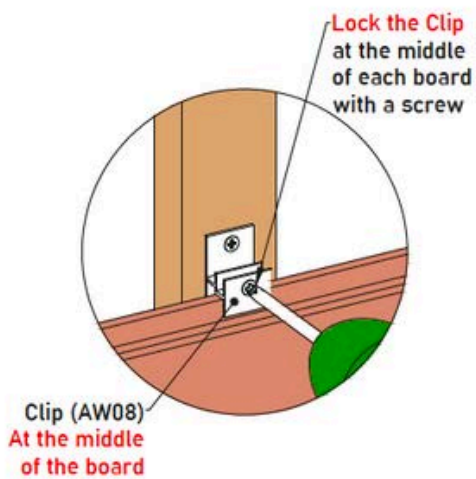
3. The distance between the Siding Board and the floor should be at least 3/4" (20mm), as shown in [Detail 33.4](#).

# Flat siding - horizontal installation

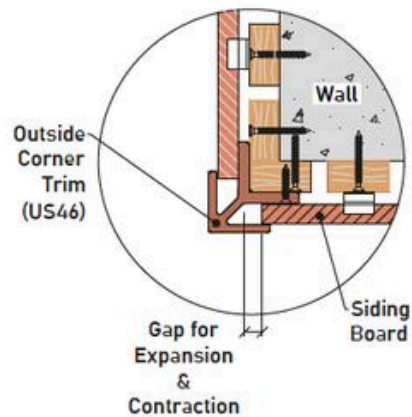
- INSTALLATION



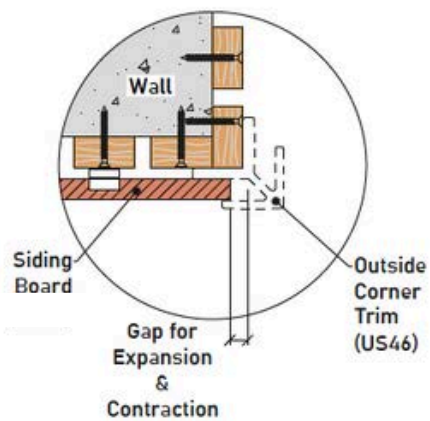
**Diagram 33**



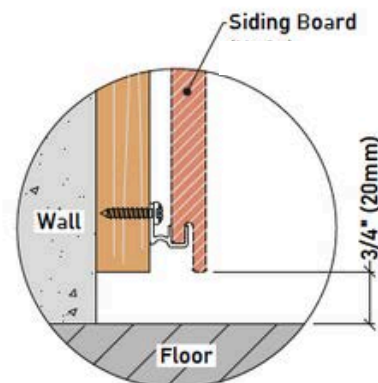
**Detail 33-1**



**Detail 33-2**



**Detail 33-3**



**Detail 33-4**



# Flat siding - horizontal installation

- INSTALLATION

30

When you are on the Siding's last board, measure the distance between the top of the joist and the Clip (AW08), as shown in Diagram 34 and Detail 34-1 .

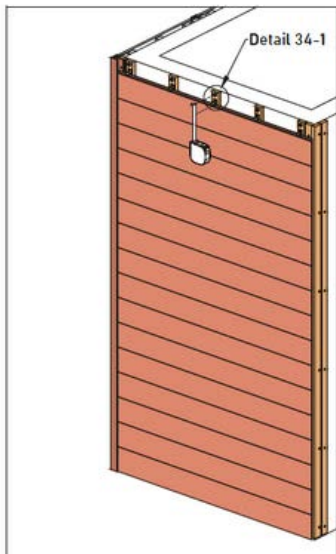
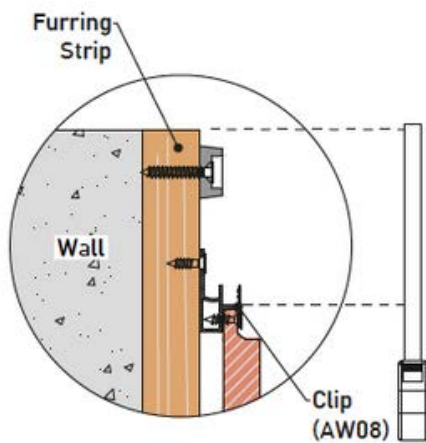


Diagram 34



Detail 34-1

31

Cut the Siding Board according to the measured dimension, as shown in Diagram 35 and Detail 35-1.

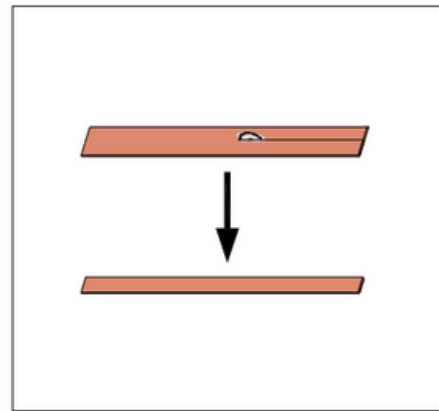
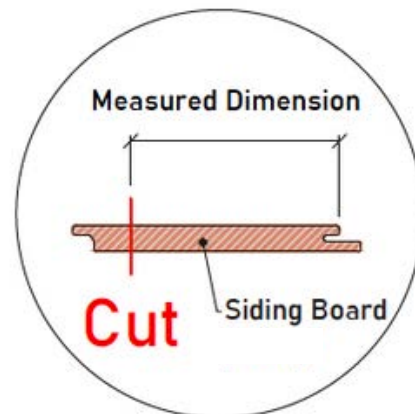


Diagram 35



Detail 35-1



# Flat siding - horizontal installation

- INSTALLATION

32

Then install the Rubber Stopper (T-7) onto each joist with screws, as shown in [Diagram 36](#) and [Detail 36-1](#).

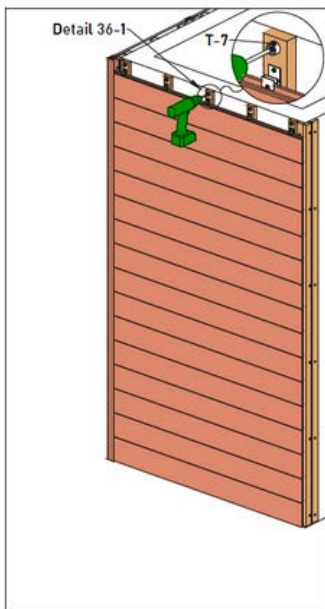
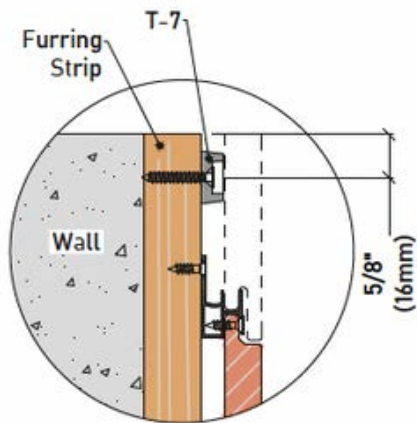


Diagram 36



Detail 36-1

33

Put the cut siding board over the clip (AW08) in position and the face fix it onto each joist along the length of the board over the rubber stopper (T7), as shown in [Diagram 37](#) and [Detail 37-1](#). [Detail 37-2](#) presents the complet installation structure of the outside corner

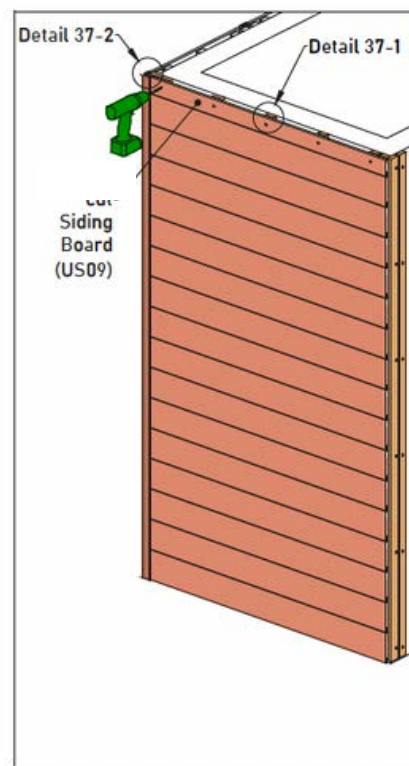
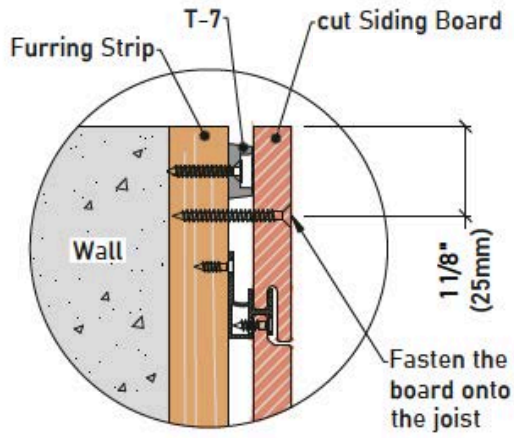


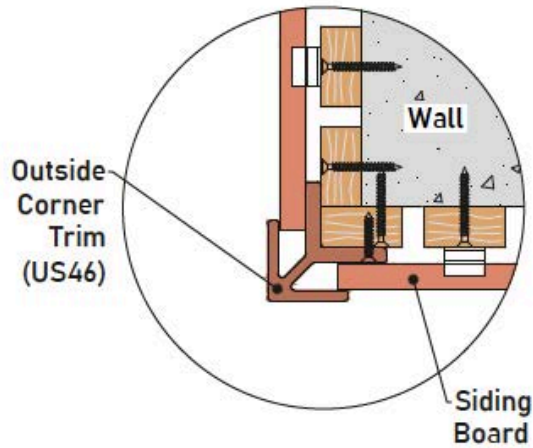
Diagram 37

# Flat siding - horizontal installation

- INSTALLATION



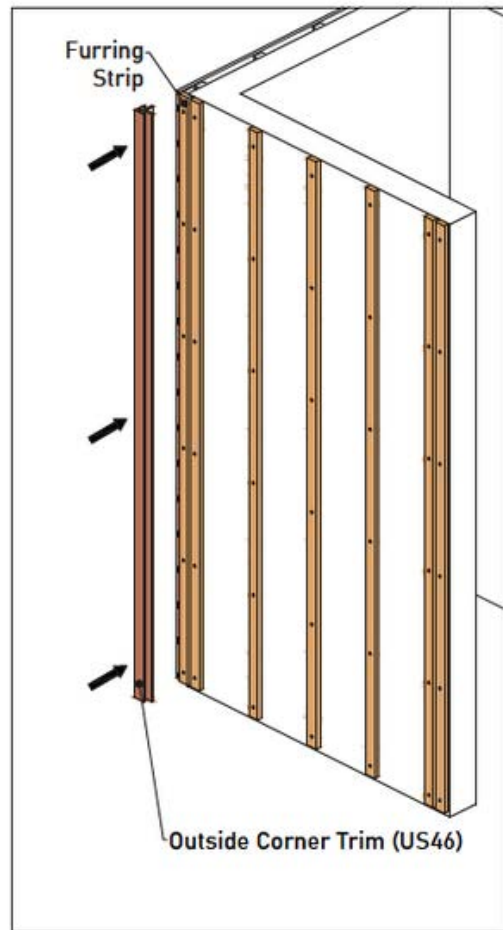
**Detail 37-1**



**Detail 37-2**

34

Insert the Outside Corner Trim (US46) in place, as shown in [Diagram 38](#).



**Diagram 38**

# Flat siding - horizontal installation

- INSTALLATION

35

Secure the Outside Corner Trim (US46) onto the joists with screws, as shown in [Diagram 39](#) and [Detail 39-1](#). The screws in-between distance should be at least 19 5/8" (500mm), and Max. to 39 3/8" (1000mm).

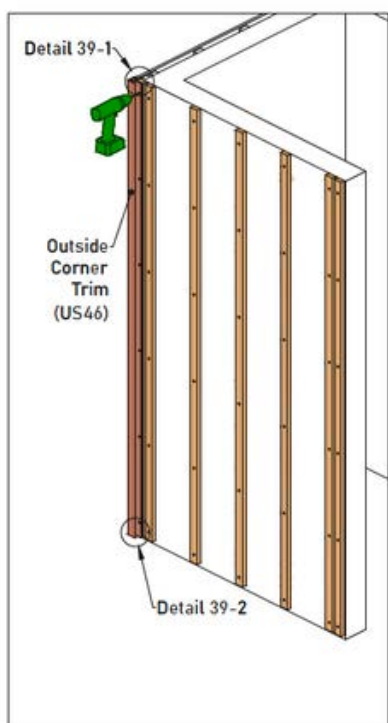
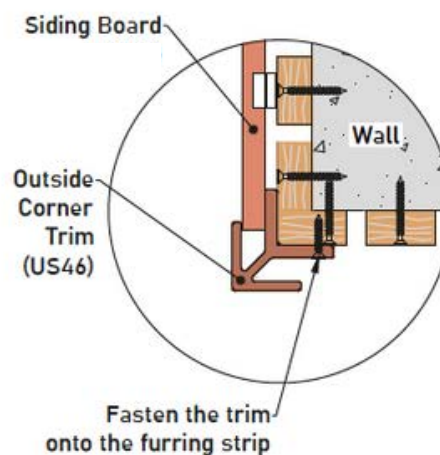


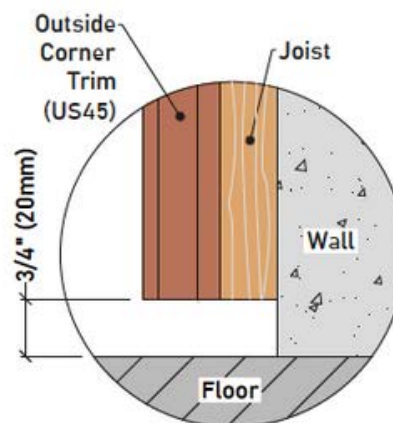
Diagram 39

Note:

1. Pre-drill the screw holes for the Outside Corner Trim (US46) before installation.
2. A minimum gap of 3/4" (20mm) needs to be left between the Outside Corner Trim (US45) and the floor, as shown in [Detail 39-2](#).



Detail 39-1



Detail 39-2

# Flat siding - horizontal installation

- INSTALLATION

36

## Wall Side D (Between the Outside Corner and the Outermost Edge)

Install the Starting Trim (AW02) at the joist's bottom with screws, as shown in [Diagram 40](#).

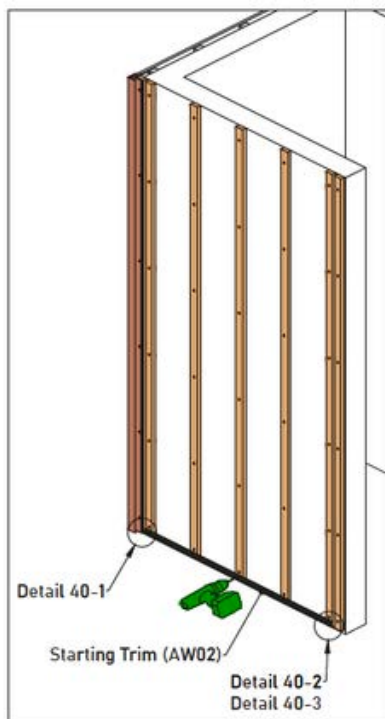
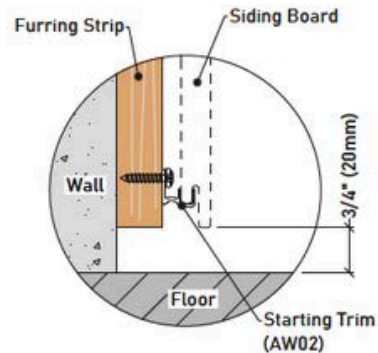


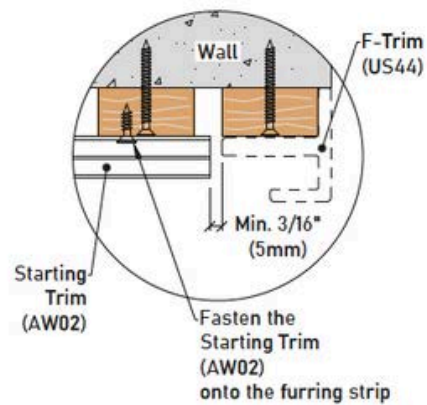
Diagram 40

**Note:**

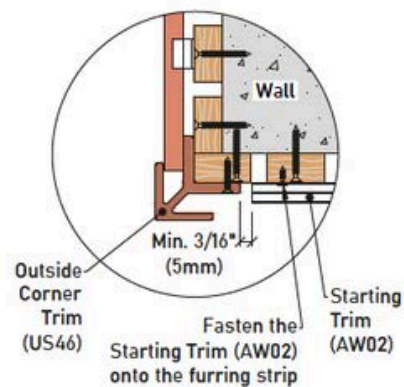
1. Pre-drill the screw holes for the Starting Trim (AW02) before installation.
2. A minimum gap of 3/4" (20mm) needs to be left between the Starting Trim (AW02) and the floor, as shown in [Detail 40-1](#)
3. A minimum gap of 3/16" (5mm) needs to be left between the Starting Trim (AW02), the F-Trim (US44), and the Outside Corner Trim (US46), as shown in [Detail 40-2](#) and [Detail 40-3](#)



Detail 40-1



Detail 40-2



Detail 40-3

# Flat siding - horizontal installation

- INSTALLATION

37

Put the Siding Board over the Starting Trim (AW08) and fasten it to the joist with Clip (AW08), as shown in [Diagram 41](#).

**Note:**

1. Since the composite wood must allow for expansion and contraction due to temperature change, **the board must be locked at one fixed point but only one point** to allow the remaining board to move freely. When installing horizontally, it is required to lock the Clip (AW08) at the middle of each board, as shown in [Detail 41-1](#).

**DO NOT LOCK** any other Clip (AW08) for the same board.

Please review [page 11](#), “[Locking the Siding Board](#)” of this installation guide for further information.

2. The gap between the Siding Board and the Outside Corner Trims (US46) is vital to avoid warping or buckling, as shown in [Detail 41-2](#) and [Detail 41-3](#). Please select the appropriate gap value according to the [Expansion and Contraction Values Table](#) on [page 10](#) of this installation guide.

3. The distance between the Siding Board and the floor should be at least 3/4" (20mm), as shown in [Detail 41-4](#).

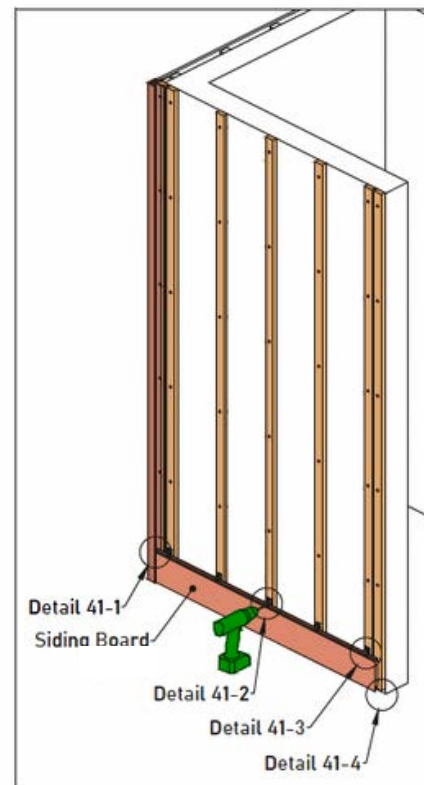
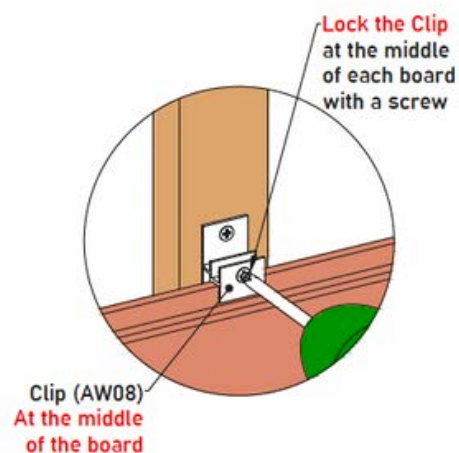


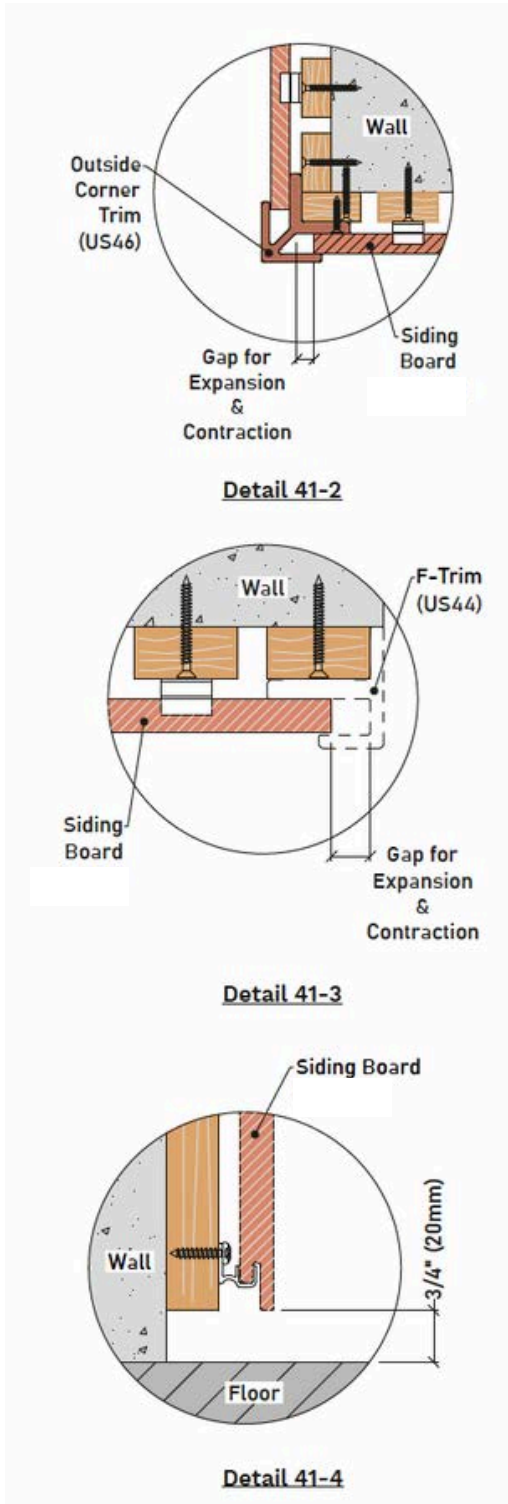
Diagram 41



Detail 41-1

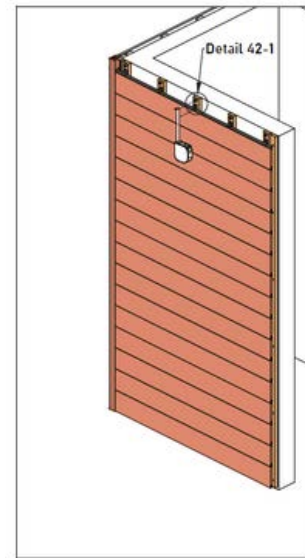
# Flat siding - horizontal installation

- INSTALLATION

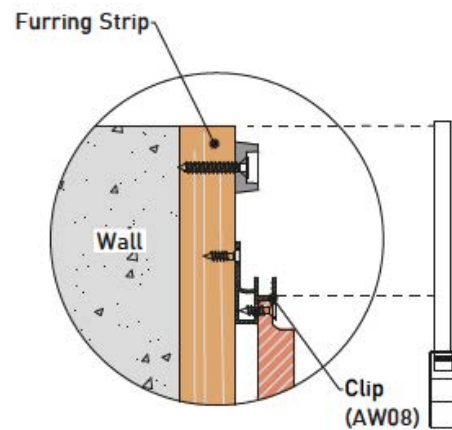


38

When you are at the Siding's last board, measure the distance between the joist and the Clip (AW08), as shown in [Diagram 42](#) and [Detail 42-1](#).



**Diagram 42**



**Detail 42-1**



# Flat siding - horizontal installation

- INSTALLATION

39

Cut the Siding Board according to the measured dimension, as shown in [Diagram 43](#) and [Detail 43-1](#).

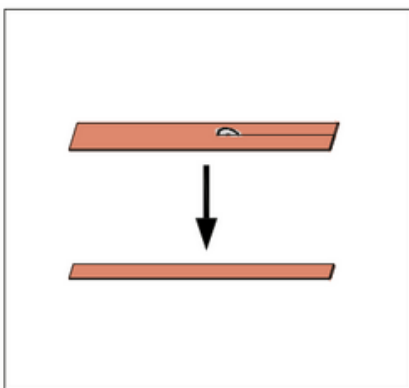
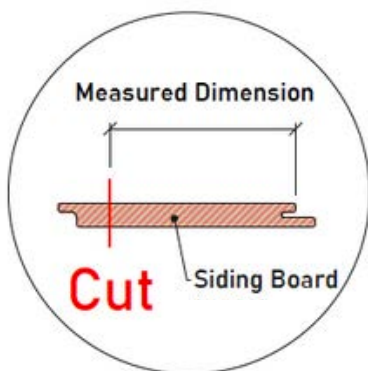


Diagram 43



Detail 43-1

40

Then install the Rubber Stopper (T-7) onto each joist with screws, as shown in [Diagram 44](#) and [Detail 44-1](#).

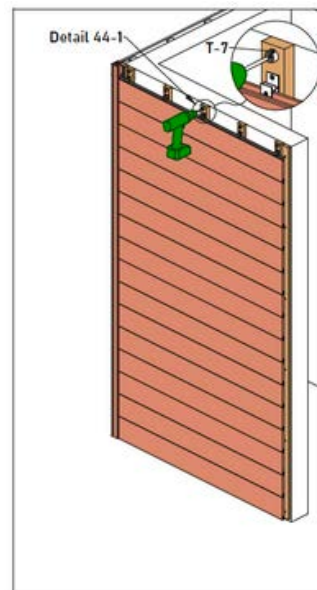
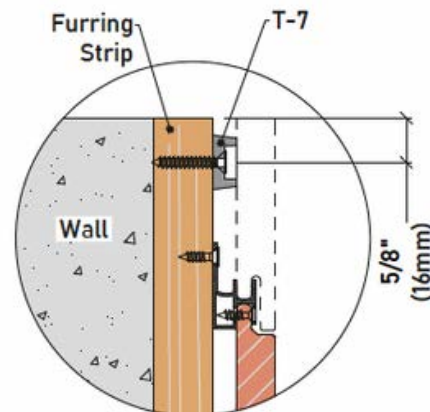


Diagram 44



Detail 44-1

# Flat siding - horizontal installation

- INSTALLATION

41

Put the cut Siding Board over the Clip (AW08) in position and then face fix it onto each joist along the length of the board over the Rubber Stopper (T-7), as shown in [Diagram 45](#) and [Detail 45-1](#). [Detail 45-2](#) presents the complete Installation structure of the Outside Corner.

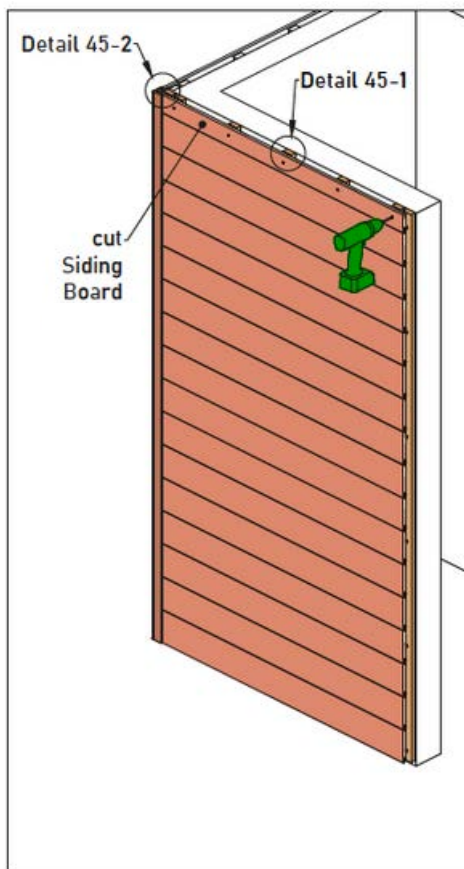
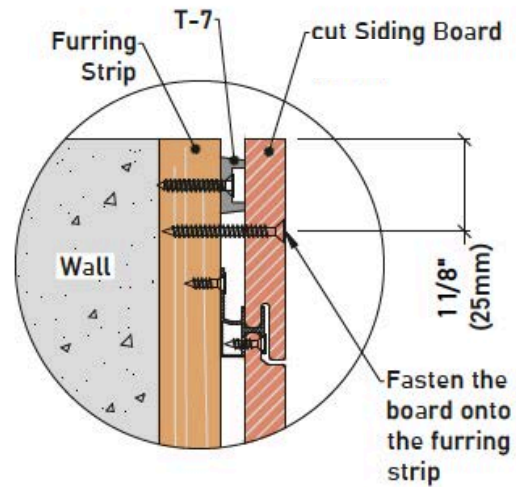
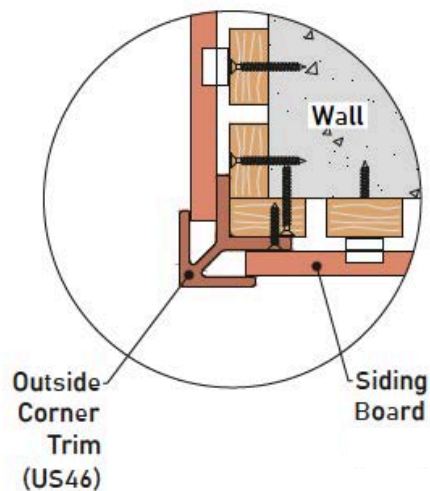


Diagram 45



Detail 45-1



Detail 45-2

# Flat siding - horizontal installation

- INSTALLATION

47

Insert the F-Trim (US44) in place, as shown in [Diagram 46](#).

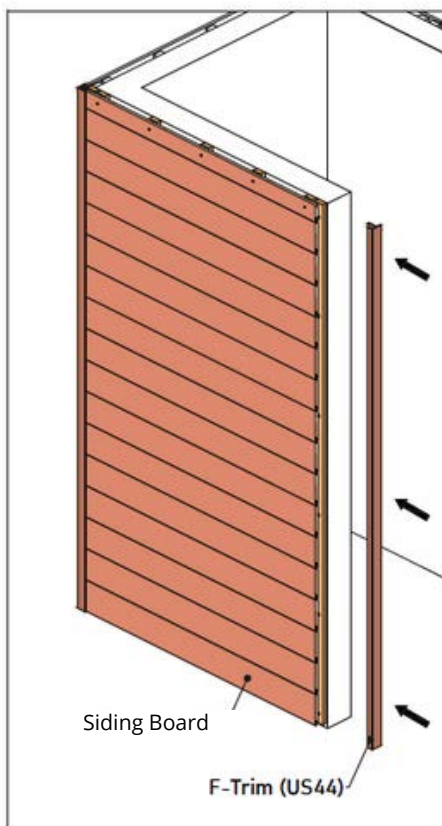


Diagram 46

40

Secure the F-Trim (US44) onto the joists with screws, as shown in [Diagram 47](#) and [Detail 47-1](#). The screws in-between distance should be at least 19 5/8" (500mm), and Max. to 39 3/8" (1000mm).

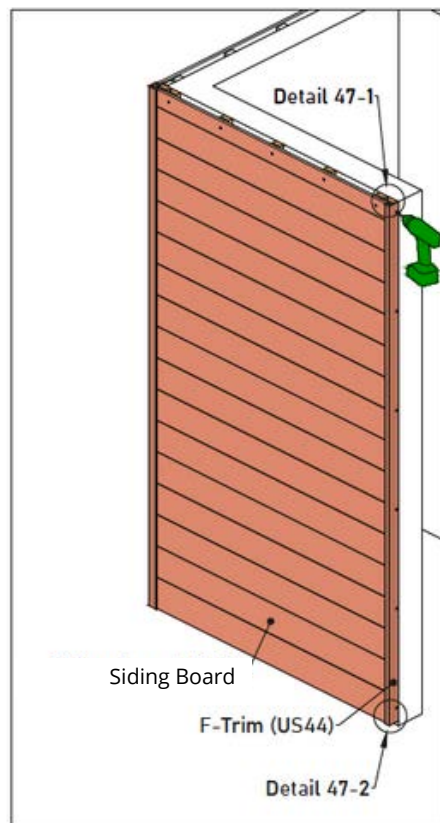


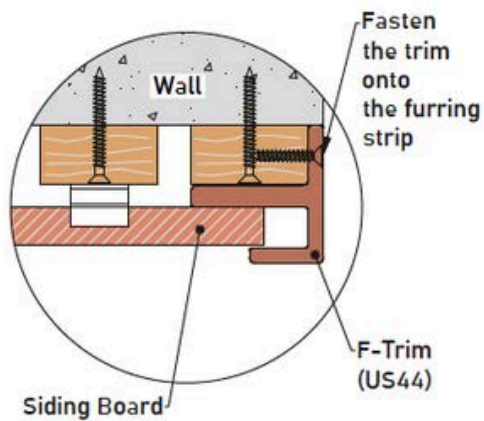
Diagram 47

# Flat siding - horizontal installation

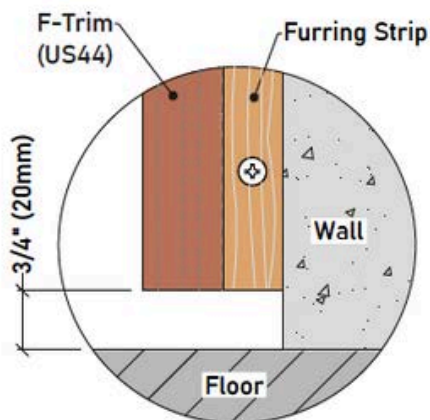
- INSTALLATION

Note:

1. Pre-drill the screw holes for the F-Trim (US44) before installation.
2. A minimum gap of 3/4" (20mm) needs to be left between the F-Trim (US44) and the floor, as shown in [Detail 47-2](#).



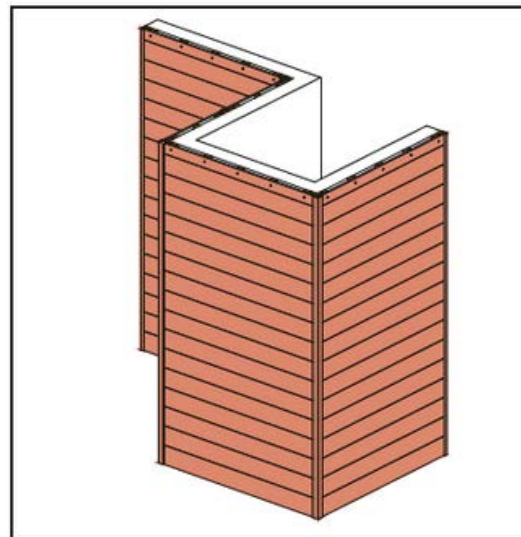
**Detail 47-1**



**Detail 47-2**

44

[Diagram 48](#) presents the final appearance after completing the siding installation.



**Diagram 48**

# Flat siding - horizontal installation

- FINISHING THE TOP

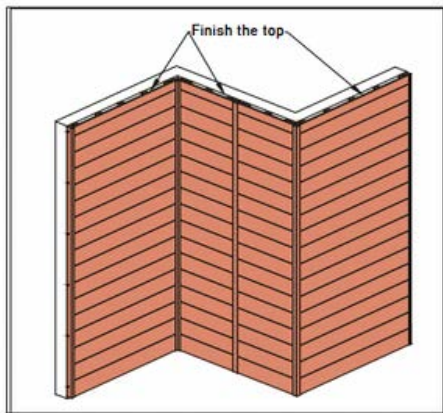


Diagram 49

45

**Option 1**

Put the F-Trim (US44) on the board's top edge, as shown in [Diagram 50](#), face fixing the F-Trim (US44) and the board together onto the joist with screws.

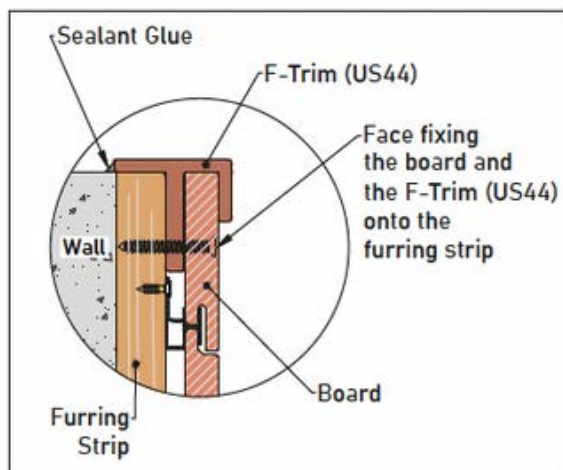


Diagram 50

**Note:**

1. It is no need to use the Rubber Stopper (T7) to back up the last board.

46

**Option 2**

Cut the F-trim (US44) to make the centerpiece shorter without interfering with the Rubber Stopper (T-7), as shown in [Diagram 51](#).

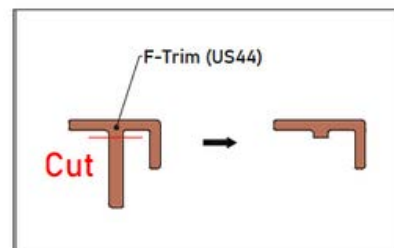


Diagram 51

47

Put the cut F-Trim (US44) in place and secure it onto the joist with screws, as shown in [Diagram 52](#).

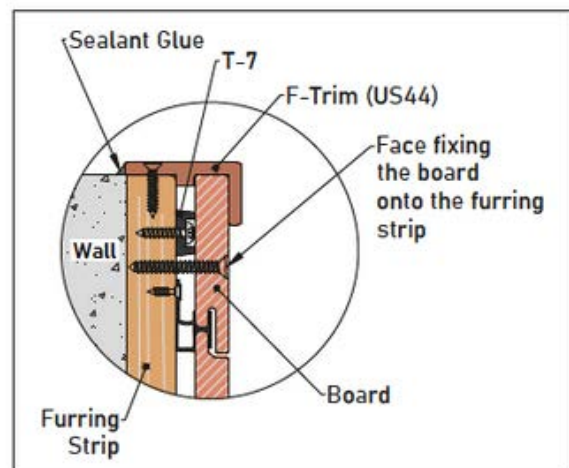


Diagram 52

# Flat siding - horizontal installation

---

- FINISHING THE TOP

48

### Option 3

Put a metal flashing over the siding top and fix it onto the joist with screws, as shown in [Diagram 53](#).

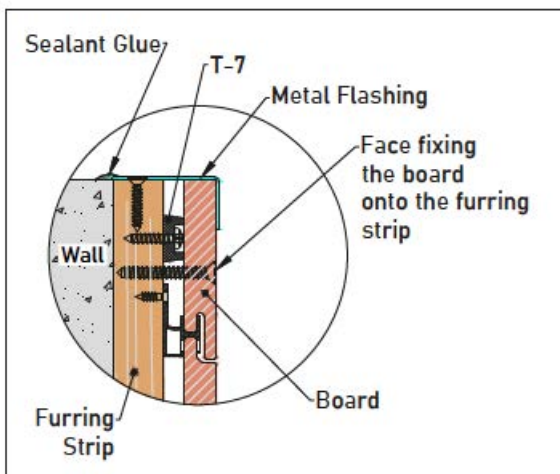


Diagram 53



# FLAT SIDING

## HORIZONTAL INSTALLATION GUIDE

---



NewTechWood is a registered trademark of Huidong Meixin Plastic Lumber Products Manufacturing Co., Ltd. To obtain a copy of the most current version of this installation guide, visit us online at [www.newtechwood.ca](http://www.newtechwood.ca)

**NewTechWood**  
CANADA

V2024-08-CAD