 **AL13** architectural  
systems®

 **plank**  
system

SPECIFICATIONS  
COLORS & WOODGRAINS  
PRODUCT DESCRIPTIONS

TECHNICAL DATA  
CLEANING & MAINTENANCE  
INSTALLATION GUIDE

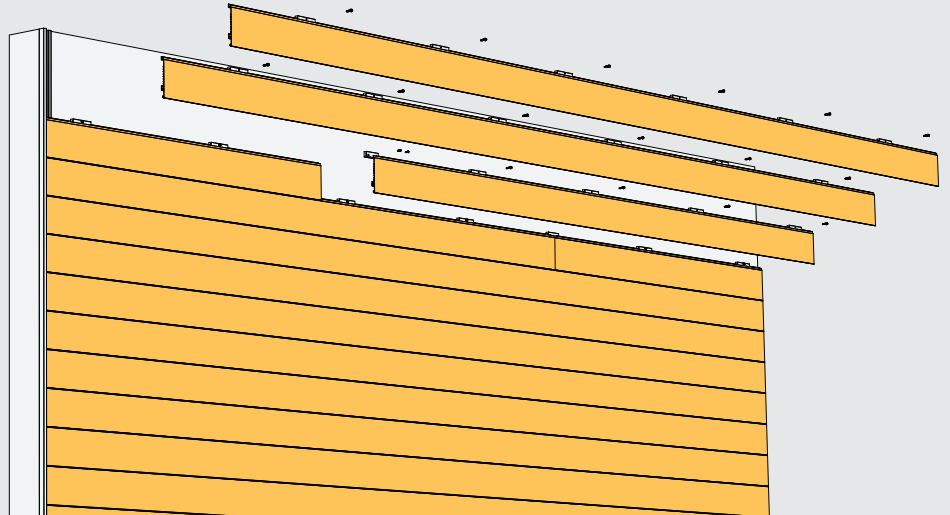
WARRANTY INFORMATION  
REQUEST SAMPLES

HEADQUARTERS  
1278 CLIVEDEN AVENUE DELTA,  
BC. CANADA V3M 6G4

+1 855 438 2513  
+1 604 428 2513  
INFO@AL13.COM



Get the look of wood, with the durability of metal.



### Fire Safety



AL13 is made of solid non-combustible aluminum extrusions.

**CAN/ULC-S114** - non-combustible

**ASTM E136** - passed

**CAN/ULC-S102** - flame spread (0)  
- smoke development (0)

**ASTM E84** - flame spread (0) - smoke development (0)

#### woodgrains

douglas fir  
v-1501/02



maple  
v-1101/02



### Wind + Water



AL13 Planks are cut to fit on-site, secured using system clips and system frame components, allowing for on-the-fly changes. AL13 system clips and extrusions work together to create a secure system with built-in moisture management.

**AAMA 508** - pressure equalized rainscreen

**ASTM E330** - windload



Intertek evaluated for  
Canadian NBC part 9 & Part 5  
CCMC equivalency

light european cherry  
v-1406/01



oak  
v-2503/04



### Finish



Our system comes in 6 wood grains.  
Custom color matching also available.

**AAMA 2604** - coating finish standard



cherry  
v-1402/02



italian rosewood  
v-1815/09



**CLICK HERE TO REQUEST SAMPLES**  
[www.AL13.com/samples](http://www.AL13.com/samples)

---

## PRODUCT DESCRIPTION

---

### PRODUCT FEATURES CANADA

- DESCRIPTION
  - Aluminum architectural cladding with high performance fluorocarbon coating finish or powder coated woodgrain finishes (Plank System).
- USES
  - Designed for cladding applications to provide a complete rain screen wall system.
- PRODUCT ATTRIBUTES AND CHARACTERISTICS
  - High performance fluorocarbon finish coating is available in a variety of standard colours including solid colours, wood line and metallic finishes. Custom colours are also available.
  - High performance powder coated woodgrain finish available in a variety of colours and patterns.
  - Extruded aluminum cladding.
  - Cladding dimensions and configurations allow for field adjustment and thermal movement.
- SELECTION CRITERIA
  - Attachment system allows for thermal movement due to thermal changes. The product should not be installed where surface temperatures are anticipated to exceed 82° C (180° F).
- APPLICABLE CURRENT STANDARDS, RELATED REFERENCES
  - AAMA 508, Voluntary Test Method and Specification for Pressure Equalized Rain Screen Wall Cladding Systems.
  - ASTM B117 – Standard Test Method for Specular Gloss.
  - ASTM D714 – Standard Test Method for Evaluating Degree of Blistering of Paints.
  - ASTM D968 – Standard Test Methods for Abrasion Resistance of Organic Coatings by Falling Abrasive.
  - ASTM D1308 – Standard Test Method for Effect of Household Chemicals on Clear and Pigmented Organic Finishes.
  - ASTM D2244 – Standard Practice for Calculation of Colour Tolerances and Colour Differences from Instrumentally Measured Colour Coordinates.

## PRODUCT DESCRIPTION

---

- APPLICABLE CURRENT STANDARDS, RELATED REFERENCES (continued)
  - ASTM D2248 – Standard Practice for Detergent Resistance of Organic Finishes.
  - ASTM D2794 – Standard Test Method for Resistance of Organic Coatings to the Effects of Rapid Deformation (Impact).
  - ASTM D3359 – Standard Test Methods for Rating Adhesion by Tape Test.
  - ASTM D3363 – Standard Test Method for Film Hardness by Pencil Test.
  - ASTM D4145 – Standard Test Method for Coating Flexibility of Pre-Painted Steel.
  - ASTM D4214 – Standard Test Methods for Evaluating the Degree of Chalking of Exterior Paint Films.
  - ASTM E330 – Standard Test Method for Structural Performance of Exterior Windows, Doors, Skylights and Curtain Walls by Uniform Static Air Pressure Difference.
  - ASTM F1667 – Standard Specification for Driven Fasteners: Nails, Spikes, and Staples.
  - CAN/CGSB-1.108 – Bituminous Solvent Type Paint; Black Asphaltic Paint for Use on Surfaces Where Protection from Acid or Alkali is Required.
  - CAN/ULC-S102 – Standard Method of Test for Surface Burning Characteristics of Building Materials and Assemblies.
  - CAN/ULC-S114 – Standard Method of Test for Determination of Non-Combustibility in Building Materials.
  - DAF-45, Aluminum Association, Inc. Designation System for Aluminum Finishes.
- PERFORMANCE CRITERIA
  - General Cladding Properties:
    - Fire Propagation – CAN/ULC-S102: Qualified
      - Flame Spread Index – ULC-S102: 0
      - Smoke Developed Index – ULC-S102: 0
    - Combustibility – CAN/ULC-S114: Pass
    - Pressure Equalization – AAMA 508: Pass
    - Static Water Penetration (15 psf) – AAMA 508: Pass
    - Dynamic Water Penetration – AAMA 508: Pass
    - Structural Loading – AAMA 508: Pass; Design Pressure = 80 psf
    - Wind Loading- ASTM E 330: See Technical Data Sheet
- PACKAGING, HANDLING, PROTECTION, AND DELIVERY INSTRUCTIONS
  - Deliver materials and components in manufacturers' unopened containers or bundles, fully identified by name, brand, type and grade. Prevent damage during unloading, storing and installation.
  - Store, protect and handle materials and components to prevent twisting, bending,



## PRODUCT DESCRIPTION

---

- mechanical damage, contamination and deterioration.
- Store materials off ground and keep clean, dry, and free of dirt and other foreign matter.
- SPECIAL WARRANTY
  - Fifteen year limited product warranty against physical defects of system components and products that are installed in compliance with published installation instructions and maintained according to the manufacturer's published guidelines.
  - Powder Coated Woodgrains: Fifteen year limited finish warranty stating finishes shall be free from workmanship and material defects and free from fading, gloss retention, peeling, chipping, cracking or blistering of finish.
- LIMITATIONS
  - THE LIMITED WARRANTIES ARE SUBJECT TO THE FOLLOWING GENERAL PROVISIONS AND LIMITATIONS:
    - The limited warranties are effective only if there is proper storage, handling, installation and maintenance of the product in strict accordance with published instructions.
    - Claims must be made in writing to AL13<sup>®</sup>'s Product Performance Department within 30 days of the discovery of a problem and authorization obtained prior to beginning any repair or replacement work.
    - The Product Performance Department must be provided a reasonable opportunity to inspect and verify a claim.
    - AL13<sup>®</sup> shall have no liability for defects or damage resulting from:
      - Misuse or abuse;
      - Improper installation, including, but not limited to inadequate attachment and/or protection against all external damage;
      - Performance of coating other than those covered by the limited warranties;
      - Contact with harmful chemicals, fumes, or vapors;
      - Settlement, shrinkage or distortion of the structure; or
      - Fire, wind, flood, lightning, Acts of God, or other causes beyond the control and performance testing provided by AL13<sup>®</sup>.
    - AL13<sup>®</sup> shall have no liability for the cost of removing affected products.

## PRODUCT DESCRIPTION

---

- Warranty for powder coated woodgrain coating is limited to 10 years in coastal areas within three miles of bodies of salt water and under the following condition:
  - Normal atmospheric conditions exclude corrosive or aggressive atmospheres such as those contaminated with chemical fumes, salt or other corrosive elements, including areas within 1,000 feet (305 meters) of a body of salt water.
- Aluminum cladding must be separated from direct contact with dissimilar metals with an approved separation coating or layer.
- SAFETY PRECAUTIONS
  - State safety concerns of product itself – or handling or installation precautions.
- AVAILABILITY
  - Available from appointed distributors. See distributor listing on website.
- COST
  - Consult distributors for specific product costs or relative costs.

## PRODUCT PROPERTIES

- MATERIALS, COMPOSITION, PROPERTIES
  - Aluminum Extrusions: 6063 T5 aluminum alloy.
- ACCESSORIES
  - Fasteners for System Clips:
    - Attachment of System via Clip to Steel Substrate: #12-14 x 38 mm (1 ½ inch) drill-point fasteners with EPDM composite washers and corrosion-resistant coating. Installed every 81.28 cm (32 inches) on center.
    - Attachment of System via Clip to Wood Substrate: #12-14 x 44.45 mm (1 ¾ inch) mini drill-point fasteners with EPDM composite washers and corrosion-resistant coating. Installed every 81.28 cm (32 inches) on center.
    - Fastener Corrosion Resistance:
      - Carbon Steel: Coated to provide not less than 1,700 hours of ASTM B 117 salt spray performance with no white or red rust; 18 cycles of ASTM G 87 (DIN 50018) SO<sup>2</sup> Kesternich testing with not more than 15 percent red rust.
  - Fasteners for Frame Components:
    - Attachment of System frame components to Steel Substrate: #10-16 x 19.05 mm (¾ inch) self-drilling screws with corrosion-resistant coating.

## PRODUCT DESCRIPTION

---

Installed every 60.96 cm (24 inches) on center.

- Attachment of System frame components to Wood Substrate: #12-14 x 38 mm (1 ½ inch) mini drill-point fasteners with EPDM composite washers and corrosion-resistant coating. Installed every 40.64 cm (16 inches) on center, unless securing a segmented (8.25 cm)(3 ¼ inch) backplate (installed 40.64 cm (16 inches) on center), in which case two fasteners per segmented piece are required.
- Fastener Corrosion Resistance:
  - Carbon Steel: Coated to provide not less than 1,700 hours of ASTM B 117 salt spray performance with no white or red rust; 18 cycles of ASTM G 87 (DIN 50018) SO<sup>2</sup> Kesternich testing with not more than 15 percent red rust.
- SHAPE, MASS, AND DIMENSION
  - Cladding Weight: 6.59 kg/m<sup>2</sup> (1.35 lb/ft<sup>2</sup>)
  - Profile: Solid or Woodgrain Pattern (See finishes for additional information.)
  - Standard cladding size of 3658 mm by 100 or 152 mm (144 inch x 4 or 6 inch)
- FINISH, COLOURS AND TEXTURES
  - Powder coated woodgrain finish in compliance with AAMA 2604.

## PRODUCT INSTALLATION

- PREPARATION
  - Ensure structural supports are aligned and meets structural requirements for wind loading and gravity loads.
  - Ensure building surfaces are smooth, clean, dry and free from defects detrimental to installation of cladding system.
  - Ensure framing is planar with variations on not more than ¼-inch in ten feet.
  - Inspect cladding and components before installation and verify that there is no shipping, storage, or staging damage. Do not install damaged cladding. Remove from jobsite to avoid re-application.
  - Ensure all products received are as ordered/required for project, including finish and size.
- INSTALLATION
  - Install products in accordance with manufacturer's published handling and installation instructions.

---

## PRODUCT DESCRIPTION

---

- Erect components plumb and true.
- Adjust assembly to secure cladding safely to wall while allowing for calculated expansion and contraction of components. Ensure extrusion tabs overlap cladding edges by at least half of extrusion tab depth.
- Do not cut, trim, weld, or braze component parts during erection in manner which would damage finish, decrease strength, or result in visual imperfection or failure in performance.
- Apply isolation coating to areas of contact between dissimilar metals.

### Corporate Identification

AL13 Architectural Systems

Toll Free Number +1 855 438-2513

General E-mail [info@al13.com](mailto:info@al13.com)

Order Support [orders@al13.com](mailto:orders@al13.com)

Website <http://www.AL13.com/>

### Technical Services Available:

Phone or e-mail for technical services. Check website for technical support.

### Classification and Filing:

MasterFormat:

07 42 13 – Extruded & Coated Aluminum





## 01

---

### ✔ Cleaning & Maintenance

---

Dirt and other deposits may naturally accumulate due to specific environmental conditions. These build ups and deposits take away from the original aesthetic properties. AL13® recommends implementing a regular cleaning program to maintain the best possible appearance.

#### General cleaning:

- Surfaces may be cleaned with water using a soft brush or sponge free of debris. Avoid excessive rubbing.
- If necessary, surfaces may be cleaned with a mild detergent (pH 6-7) or cleaning agent diluted 1:50 parts water.
  - Some cleaning products may damage the finish. Using highly acidic or alkaline cleaning agents may corrode the aluminium and paint. If unsure, complete a small test area in an inconspicuous location before proceeding. If the solution results in any irregularities to the finish, discontinue use immediately. Always use all recommended safety precautions including appropriate skin and eye protection to prevent irritations or burns.
- After cleaning occurs, surfaces should be rinsed with clean water to remove any residue that might be present.
- To reduce the appearance of water spots or streaking, surfaces should be squeegeed or wiped dry with a clean cloth before the water is allowed to do so naturally. Surfaces heated by the sun will dry more quickly.

## 02

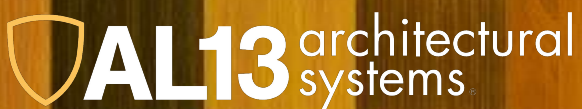
---

### ✘ Do Not

---

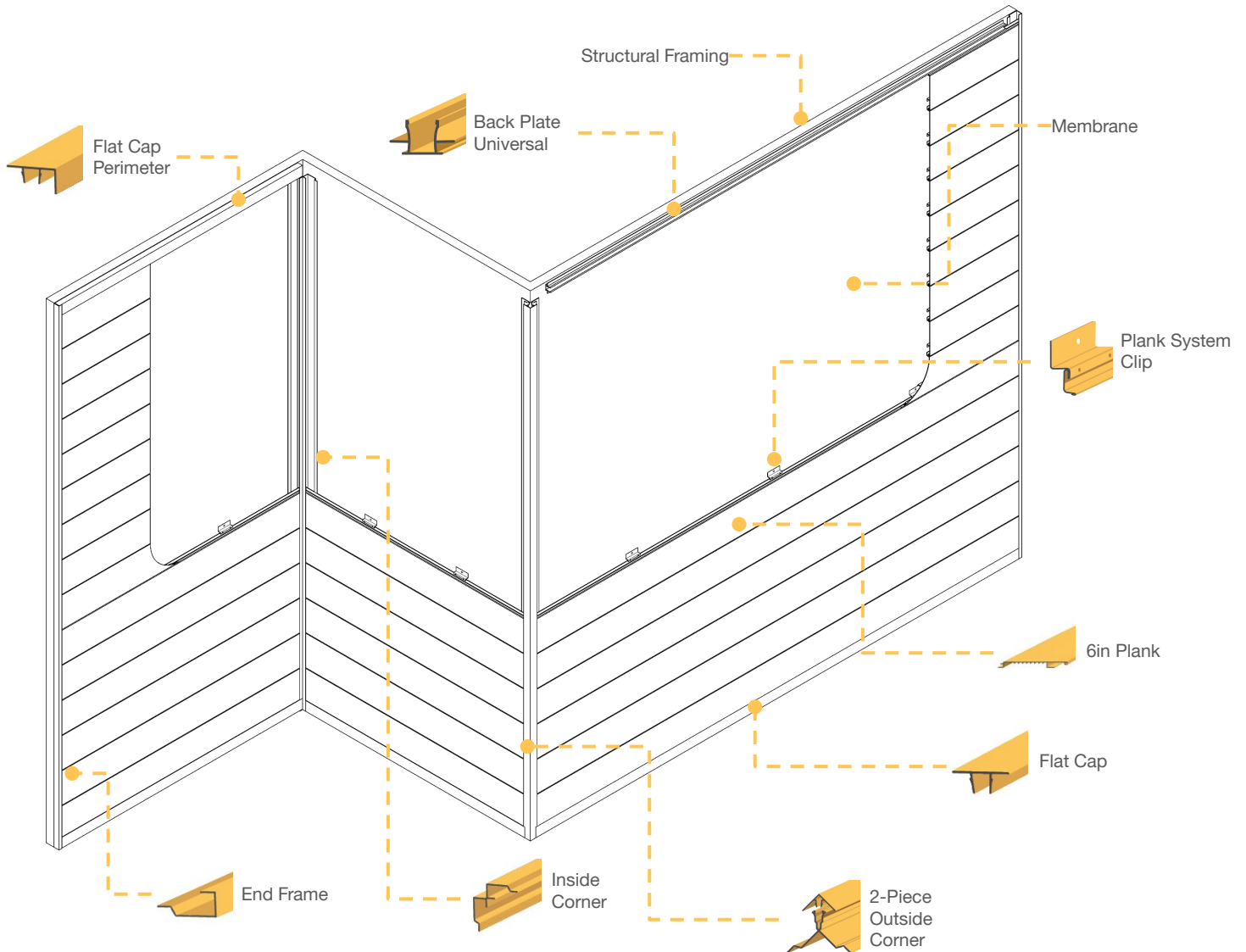
- Do not clean AL13® using steel wool or abrasive pads.
- Do not clean AL13® with Acetone, paint thinners or removers.
- Do not clean AL13® with highly acidic or alkaline solutions.
- Do not clean AL13® with a pressure washer.

# Installation Guide





# AL13 Plank System



The backplates and various caps use an interference fit and require an impact to engage the two components.

**!** **Note:** Ensure that the substrate is solid enough or supported enough to sustain this impact.

# 01

---

## Installation Guidelines 1

**IMPORTANT: Failure to follow the guidelines herein will void the AL13® warranty**

Please read and understand the entirety of this guide. Any questions or inconsistencies should be directed to your sales representative or [info@al13.com](mailto:info@al13.com).

Guidelines may vary depending on project particulars and conditions. Contact AL13® with questions regarding variance from this guide. Standard carpentry skills are required for optimum results.

Good health and safety practices must be followed when installing AL13® Plank System. Please refer to the AL13® Material Safety Data Sheets for more info.

---

### Key steps for a successful installation

- 01 Understand the various elements of the system
- 02 Plan the installation, work schedule, and material usage
- 03 Ensure everyone working has read the installation guidelines
- 04 Execute work in the sequence set forth in the installation guidelines
- 05 Protection should be worn: gloves, ear protection, steel-toe boots, safety glasses and hard hat
- 06 Protect the product by storing the material in a dry and clean environment
- 07 Ensure proper fit of the system
- 08 Clean any debris on the wall

---

### Pre-installation: Receiving materials

When materials arrive on site, ensure that all planks, extrusions and other component packaging are in good condition, free of any defects, and verify that the materials match the order / shop drawings.

- > Shipping or packaging issues should be noted on the waybill and then reported to the distributor
- > Should any products be damaged, the receiving party is responsible for filling a freight claim to the shipping company within 24 hours of receiving product.
- > Defective materials should be reported to the distributor from which the product was dispatched.













# 01

## Installation Guidelines 2

### Product Legend









The following are the various components of the system. Please refer to the following to verify the correct component.

Component	Size / piece	Material
 6" Plank	12' length	AAMA 2604 coated aluminum extrusion
 4" Plank	12' length	AAMA 2604 coated aluminum extrusion
 2" Plank Perforated Vent Strip	12' length	AAMA 2604 coated aluminum extrusion
 End Frame	12' length	AAMA 2604 coated aluminum extrusion
 Inside Corner	12' length	AAMA 2604 coated aluminum extrusion
 Outside Corner	12' length	AAMA 2604 coated aluminum extrusion
 Flat Cap	12' length	AAMA 2604 coated aluminum extrusion
 Flat Cap: Perimeter	12' length	AAMA 2604 coated aluminum extrusion
 Reveal Cap	12' length	AAMA 2604 coated aluminum extrusion
 Reveal Cap: Perimeter	12' length	AAMA 2604 coated aluminum extrusion

# 01

## Installation Guidelines 3







### Product Legend

Component	Size / piece	Material
 Two Piece Outside Corner	12' length	<i>Outside Corner Cap:</i> AAMA 2605 coated aluminum extrusion  <i>Backplate:</i> PVDF coated aluminum extrusion
 Back Plate: Universal	8' length	Black powder coated aluminum extrusion
 System Clip: Compressible	100/package	Glass-filled polyamide
 System Clip: Plank / Joint Clip	100/package	Galvanized Steel
 Joint screws	100/package 1/2in long	Used to fasten two adjoining planks with System Clip: Plank
 Wood Fastener	500/package 1-1/2in long	Wood Substrate: #12-14 x 1 1/2" mini drill-point fasteners with EPDM washers and corrosion-resistant coating
 Concrete Fastener	100/package 1-1/4in long	Concrete walls: #11 x 1 1/4" concrete screw anchor with corrosion-resistant coating
 Metal Fastener	500/package 3/4in long	Steel substrate: #10-16 x 3/4" self-drilling, self-tapping screws with corrosion resistant coating

# 01

## Installation Guidelines 4

### Product Legend

Install Kit Components	Size / piece	Material
 80T Non-ferrous Saw Blade	10" - each	Carbide tip / high-speed steel
 60T Non-ferrous Saw Blade	6-1/4" - each	Carbide tip / high-speed steel
 Gloves	pair	Rubber / lycra
 SLED: Flat	each	Plastic and rubber
 SLED: Reveal	each	Plastic and rubber
 SLED: Corner	each	Plastic and rubber

# 01

---

## Installation Guidelines 5

### Inventory

Once material is verified to be in good condition, take inventory of units according to the packing slip. Make sure all materials - plank, extrusions, and fasteners - and quantities are present.

*The distributor should be notified immediately if the order has any missing or incomplete components. Failure to do so may void re-fulfillment.*

---

### Tools

The AL13® Plank System is made to be installed with general tools. A recommended tool list is as follows:

- > Sawhorses/work table
- > Circular saw (handheld with guide)
- > Table saw
- > Mitre saw
- > Cordless electric impact driver with appropriate bits
- > AL13® saw blades
- > AL13® SLED tools
- > Jigsaw
- > Level/plumb line
- > Chalk line
- > Cordless electric drill
- > Drill bit set

# 01

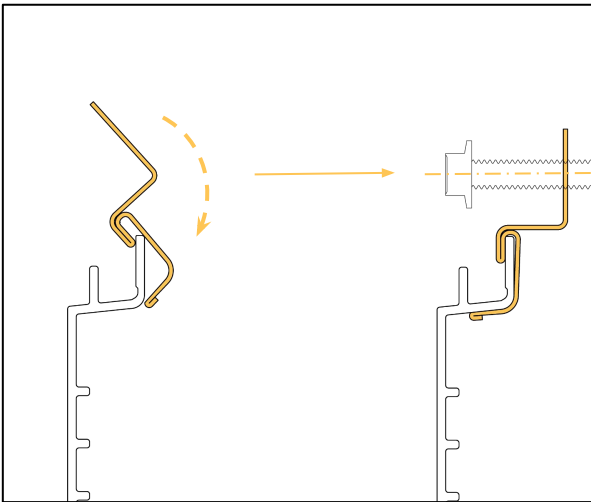


## Installation Guidelines 6

### Plank System Clip

The Plank System Clip provides an interface between the plank and the substrate and is secured to the wall using an AL13®-approved fastener appropriate for the substrate (see section on supported substrates for further information). Familiarize yourself with installing the Plank System Clip correctly to achieve the correct fit.

### Correct Installation

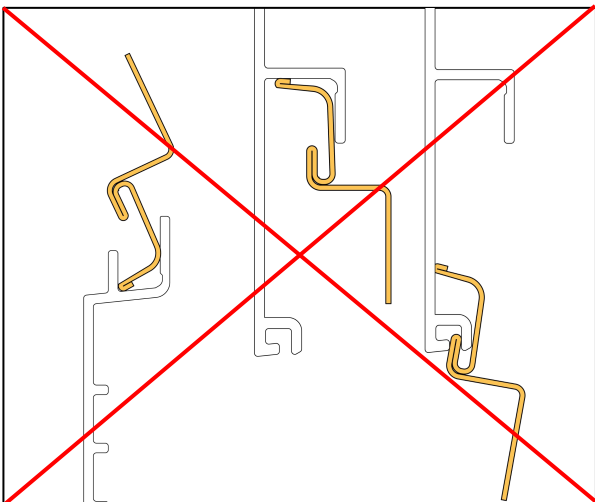


Install the Plank System Clip correctly as shown by engaging the inner top flange of the plank. Gently rotate the Plank System Clip to secure it in place.

Put the appropriate fastener through the mounting hole to mount and secure the clip.

**Note:** The clip can be moved easily along the length of the plank after it has been engaged.

### Incorrect Installation



**Note:** The Plank System Clip only engages in one position correctly.

If the Plank System Clip is inserted incorrectly, it will not securely attach the plank on to the substrate. Installation of the subsequent planks can not be done correctly.



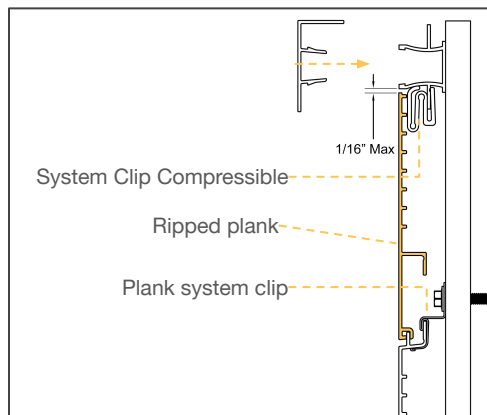
# 01



## Installation Guidelines 7

### Terminating the Plank Wall

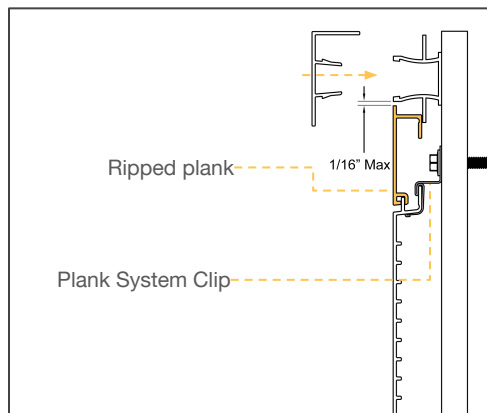
The Plank Wall is terminated towards the tongue side of the plank with a full width or a ripped section of plank. Below are guidelines typical for terminating the wall. Contact AL13® if you have further questions about terminating the wall.



#### RIPPING THE PLANK

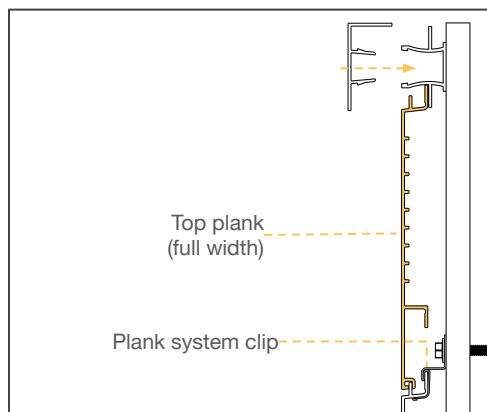
In most situations, the remaining width at the top of the wall requires the plank to be “ripped” to the correct width. In this case, leave a gap of 1/16” max from the back plate.

A System Clip Compressible can be attached to the back plate to support the ripped plank as shown.



#### RIPPING A NARROW STRIP

In situations that require a narrow strip of plank for the top of the wall, it may be necessary to snip the upper flange of the Plank system clip to ensure a flush fit.



#### FULL PLANK WIDTH

In rare situations, the remaining width at the top of the wall can be covered by a full plank width and no ripping is necessary.



**Note:** The end plank does not require a Plank System Clip.

# 01

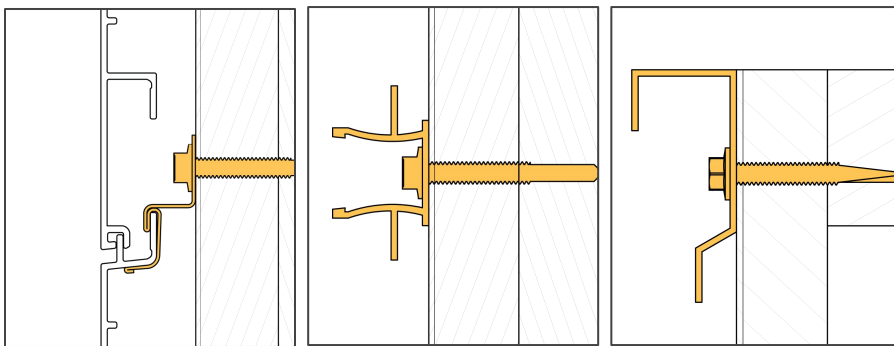


## Installation Guidelines 8

### Supported Substrates

#### Wood Frame with OSB/Plywood Sheathing

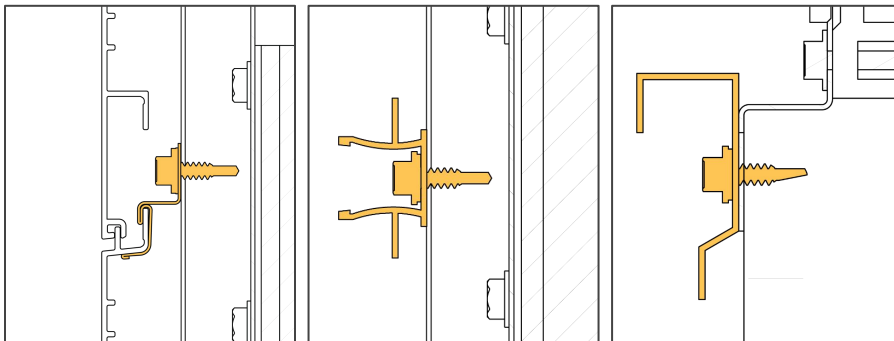
For installation on wood substrates, plywood, and OSB, AL13® Wood Fasteners must be used. For sheathed wood frame, AL13® installs directly on building wrap. The mechanical fasteners anchor into building sheathing and studs where available.



Wood Fastener  
#12-14 x 1 1/2"

#### Girt/Furring Bar Installation

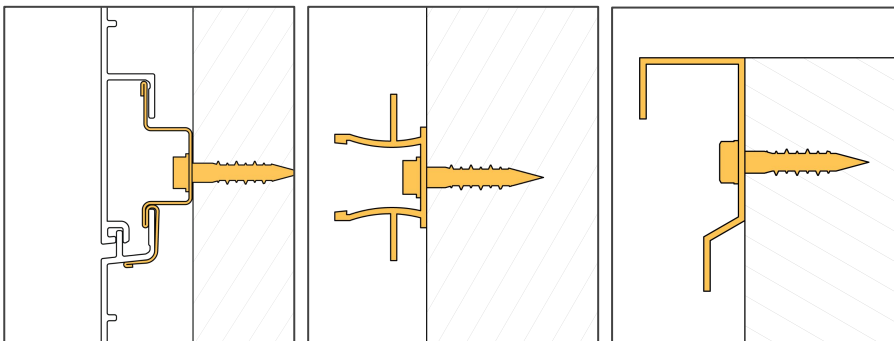
For installation on girt or furring bars, use metal fasteners.



Metal Fastener  
#10-16 x 3/4"

#### Concrete Installation

For installation on concrete, use concrete fasteners/anchors.



Concrete Fastener  
#11 x 1 1/4"

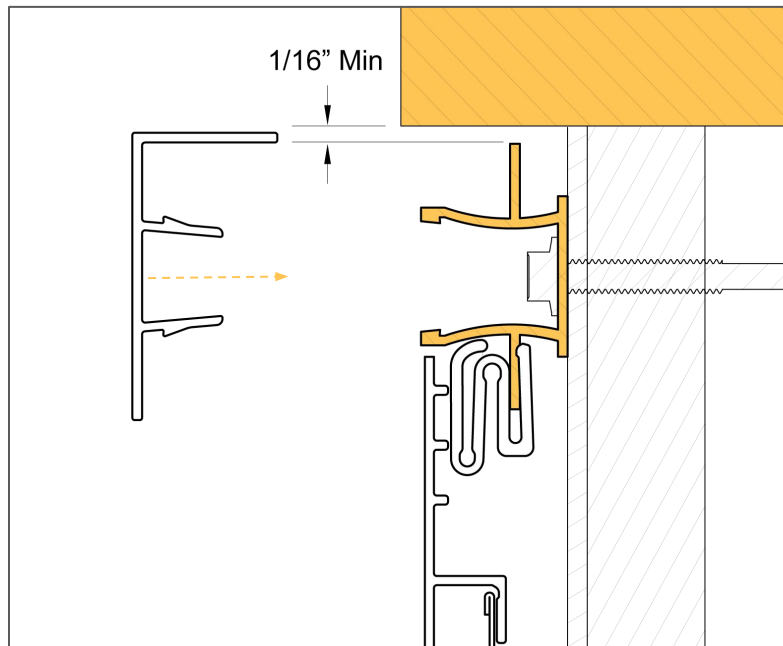
# 01



## Installation Guidelines 9

### Installation near Windows, Doors, and other Bump-Outs

When installing around a perimeter terminated with a Back Plate Universal, leave a minimum gap of 1/16" from the edge of the Back Plate to the perimeter border. This allows sufficient space for a top cap to be installed.



Leave a minimum of 1/16" gap between the edge of a perimeter (e.g., windows, doors, bump-outs) and the Back Plate Universal.

# 01

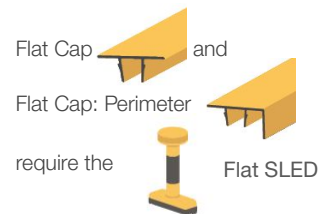
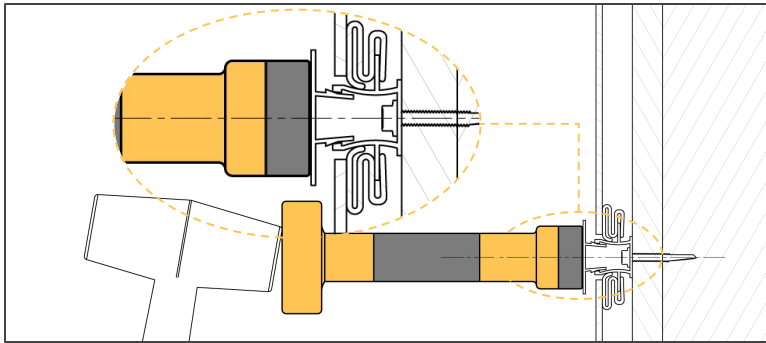


## Installation Guidelines 10

### Installing the Top Caps

Panels are fastened by the frame tabs on the top caps around the entire perimeter. No traditional mechanical fasteners are required in the panel itself.

Ensure that the correct Snap-Lock Engagement Device (SLED) is used for the appropriate cap. Use a rubber mallet together with the appropriate SLED to install the top caps.

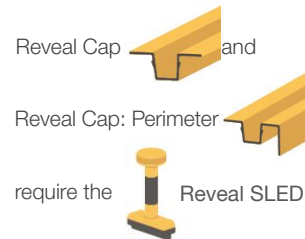
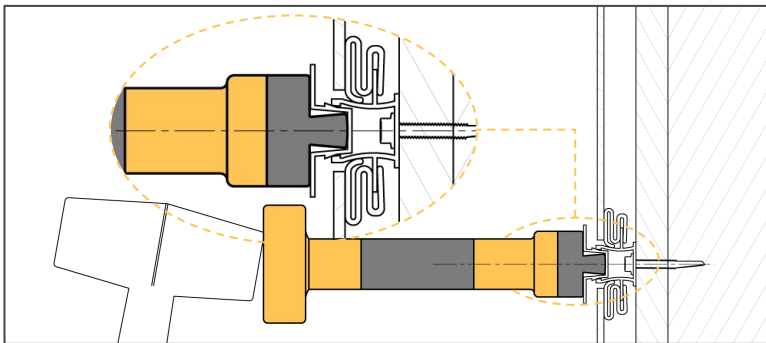


Flat Cap and

Flat Cap: Perimeter

require the

Flat SLED



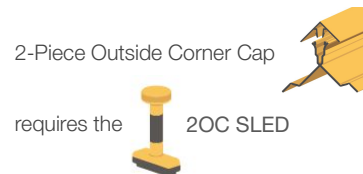
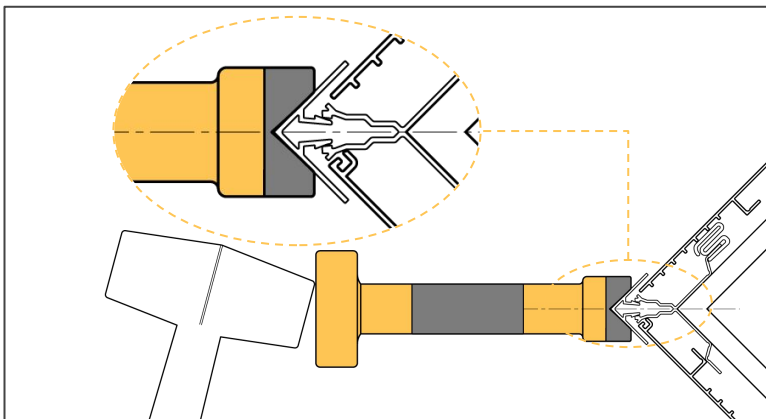
Reveal Cap and

Reveal Cap: Perimeter

require the

Reveal SLED

A protrusion at the bottom of the SLED fits inside the reveal of the cap to ensure proper installation.



2-Piece Outside Corner Cap

requires the

2OC SLED

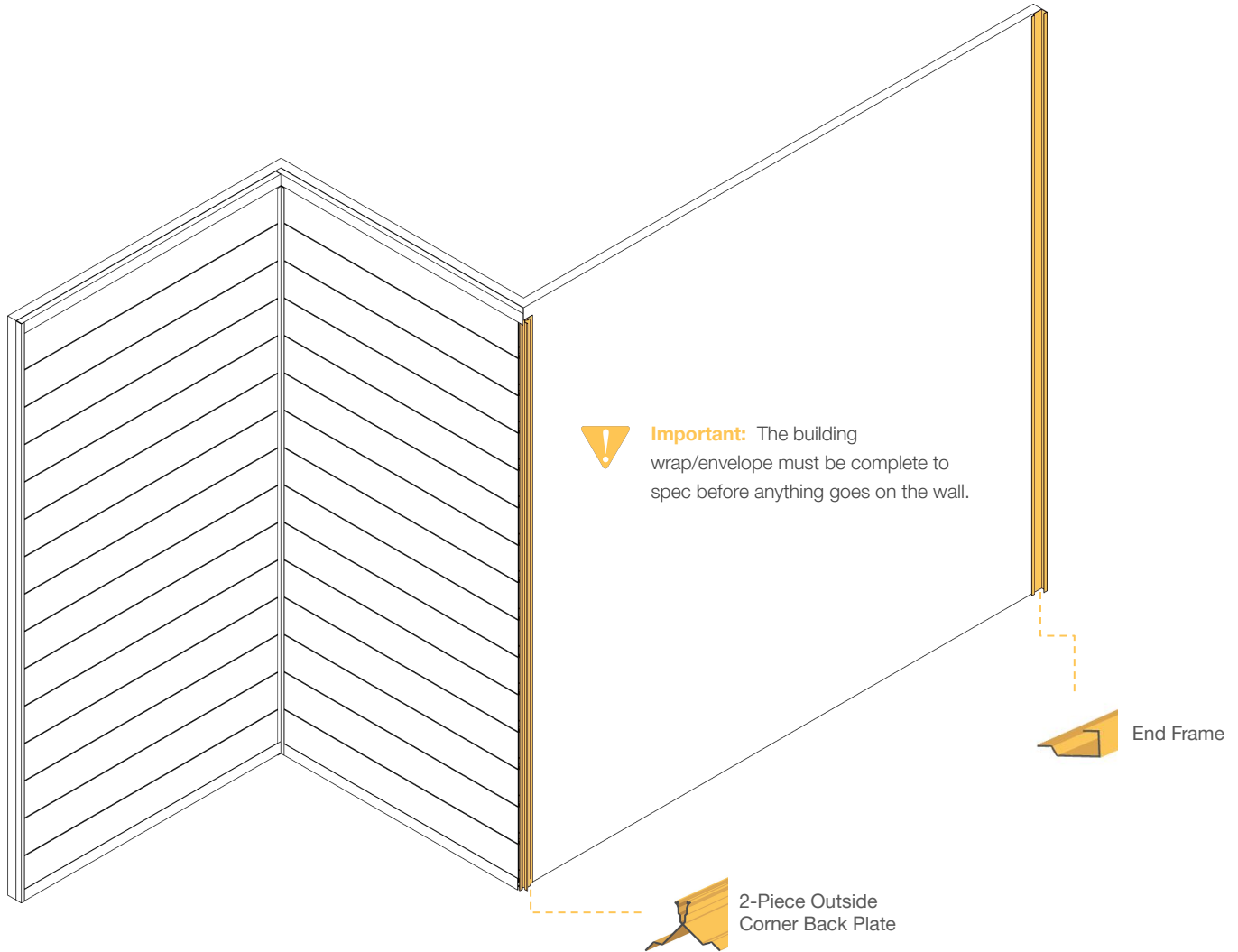
A cutout at the bottom of the SLED captures the geometry of the Outside Corner cap to ensure proper installation.

# 02



## Plank Install 01

Fasten vertical perimeter extrusions



The vertical perimeter extrusions are normally the first extrusions to be fixed to the wall. Layout end frame extrusions according to the desired location. Ensure frames are level and plumb before fastening.

Workflow is always from the bottom up. Place the first fastener near the bottom of the vertical extrusion. Once the piece has been leveled, add a second near the top fixing it in place and add subsequent fasteners.

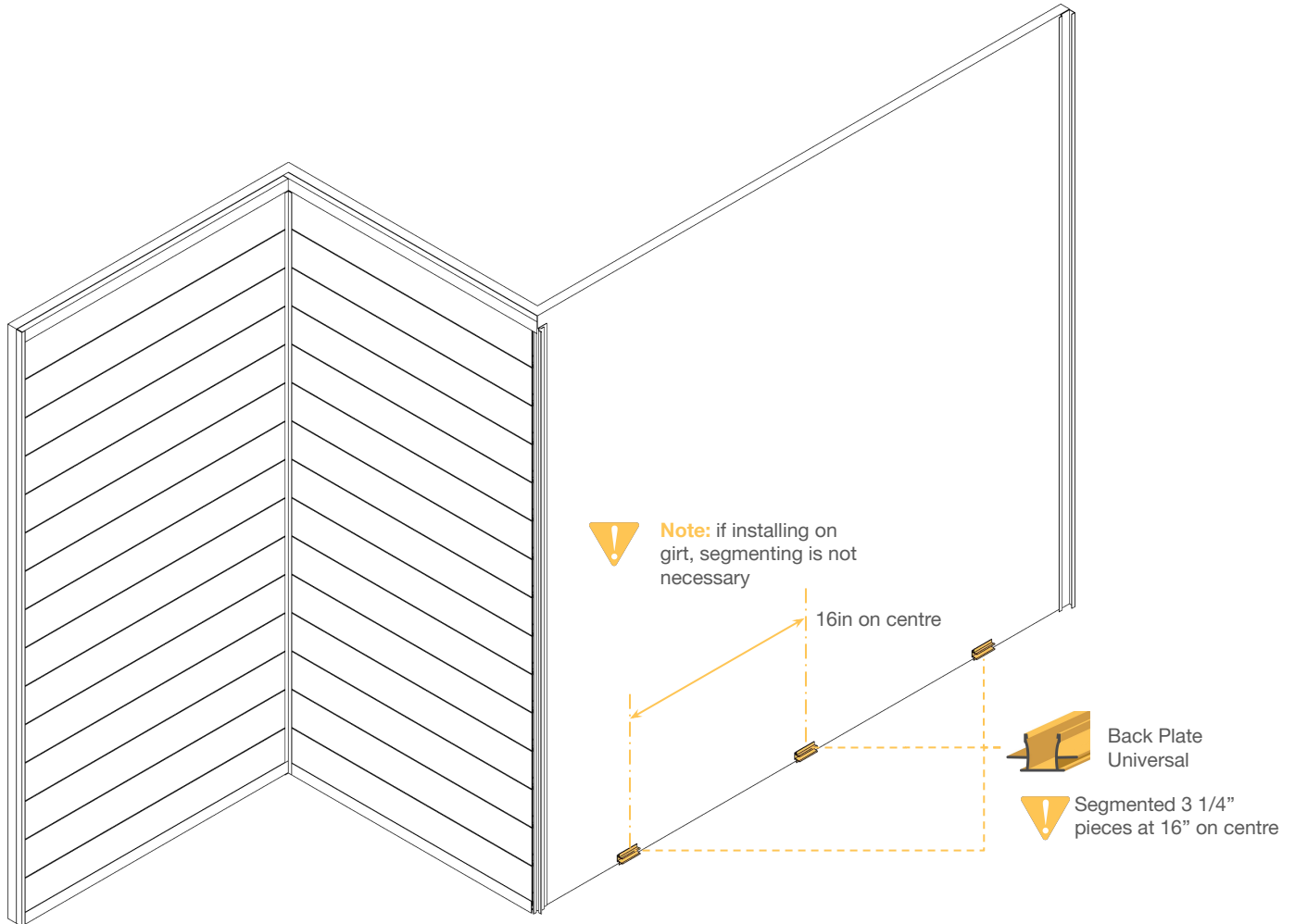


# 02



## Plank Install 02

Fasten horizontal baseline extrusions



Segment the Back Plate Universal by cutting to lengths of 3 1/4" and install every 16" on centre to serve as the baseline. This will establish the horizontal datum and will be a reference to subsequent extrusions.

It is important that it is mounted level.

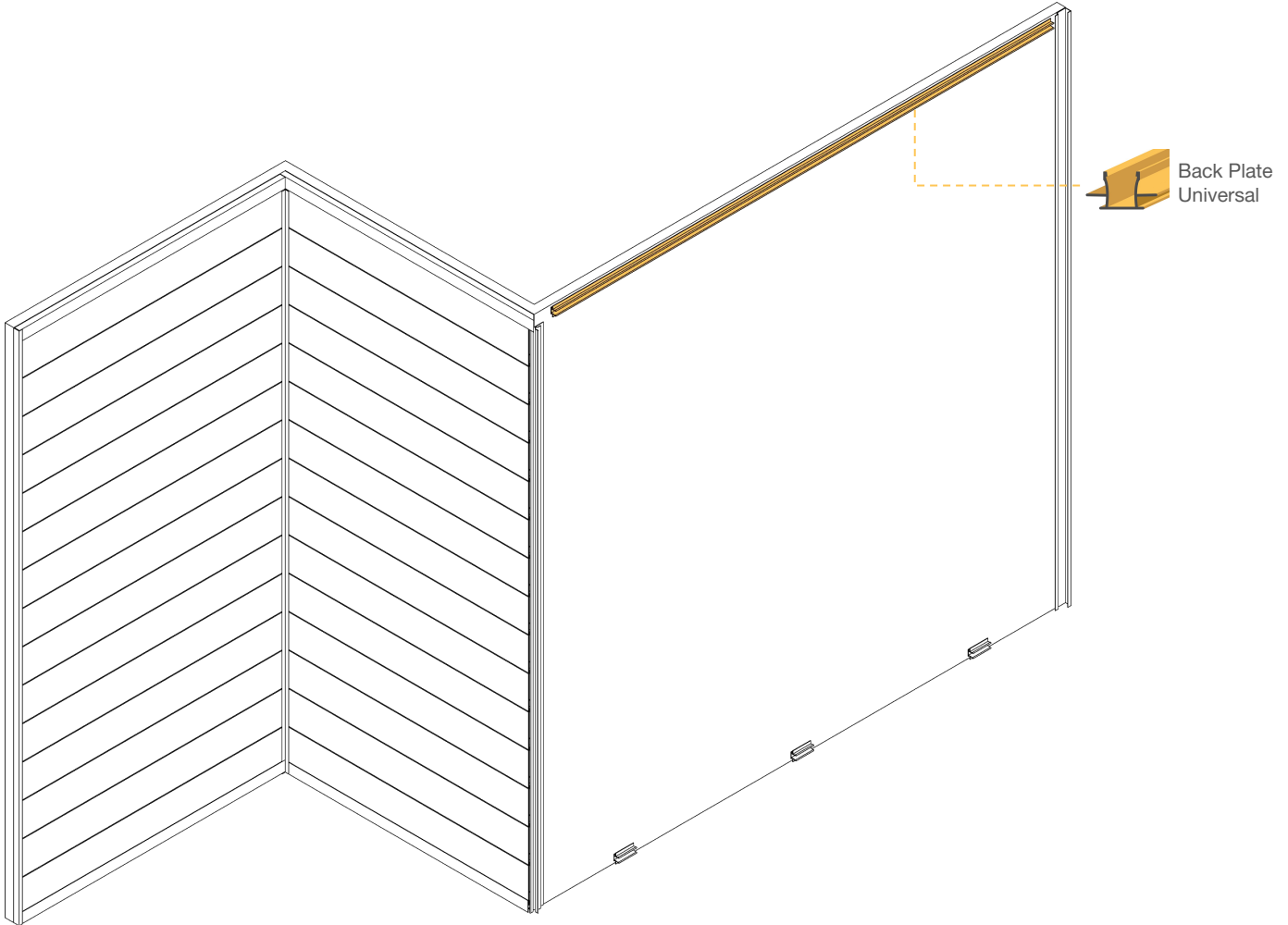
**Note:** In some installations, more than a full length of a top cap may be required. In this case, ensure that the seam is supported adequately by a back plate.

# 02



## Plank Install 03

Fasten horizontal upper extrusions.



The final perimeter extrusion to be attached is the upper horizontal back plate.

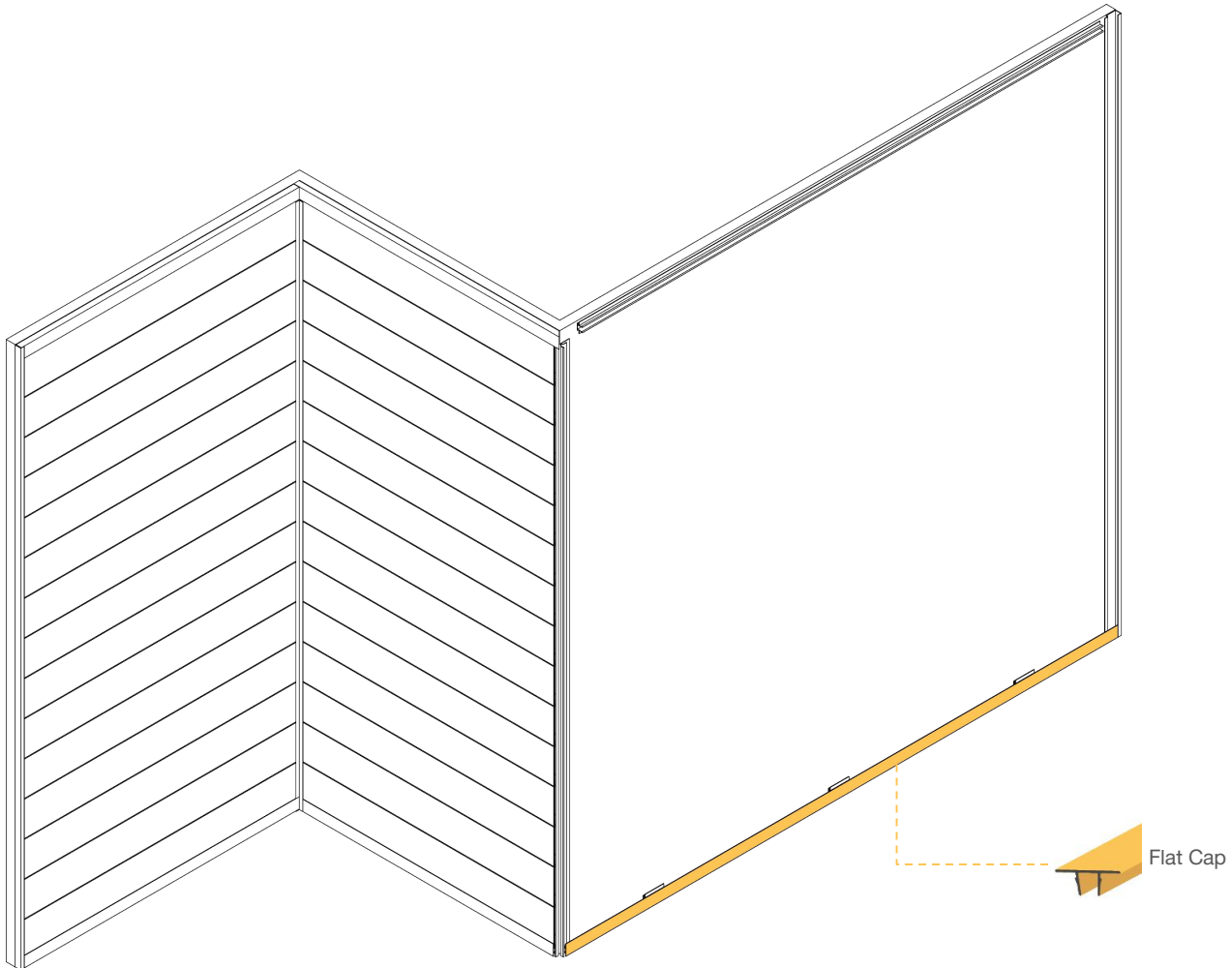
Leave a gap of 1/16" from the top edge to the edge of the back plate to ensure fit of a top cap. See Installation Guideline section for details (p11).

# 02



## Plank Install 04

Engage baseline flat cap.



The flat cap needs to be cut to size and engaged using an AL13® SLED before the first row of plank is installed. A properly fit cap should tuck under both verticals, leaving approximately a 1/16" gap on either side to allow for thermal contraction and expansion. If a butt joint is required due to the length of the flat cap exceeding 12', the butt joint must occur on a shared back plate segment.

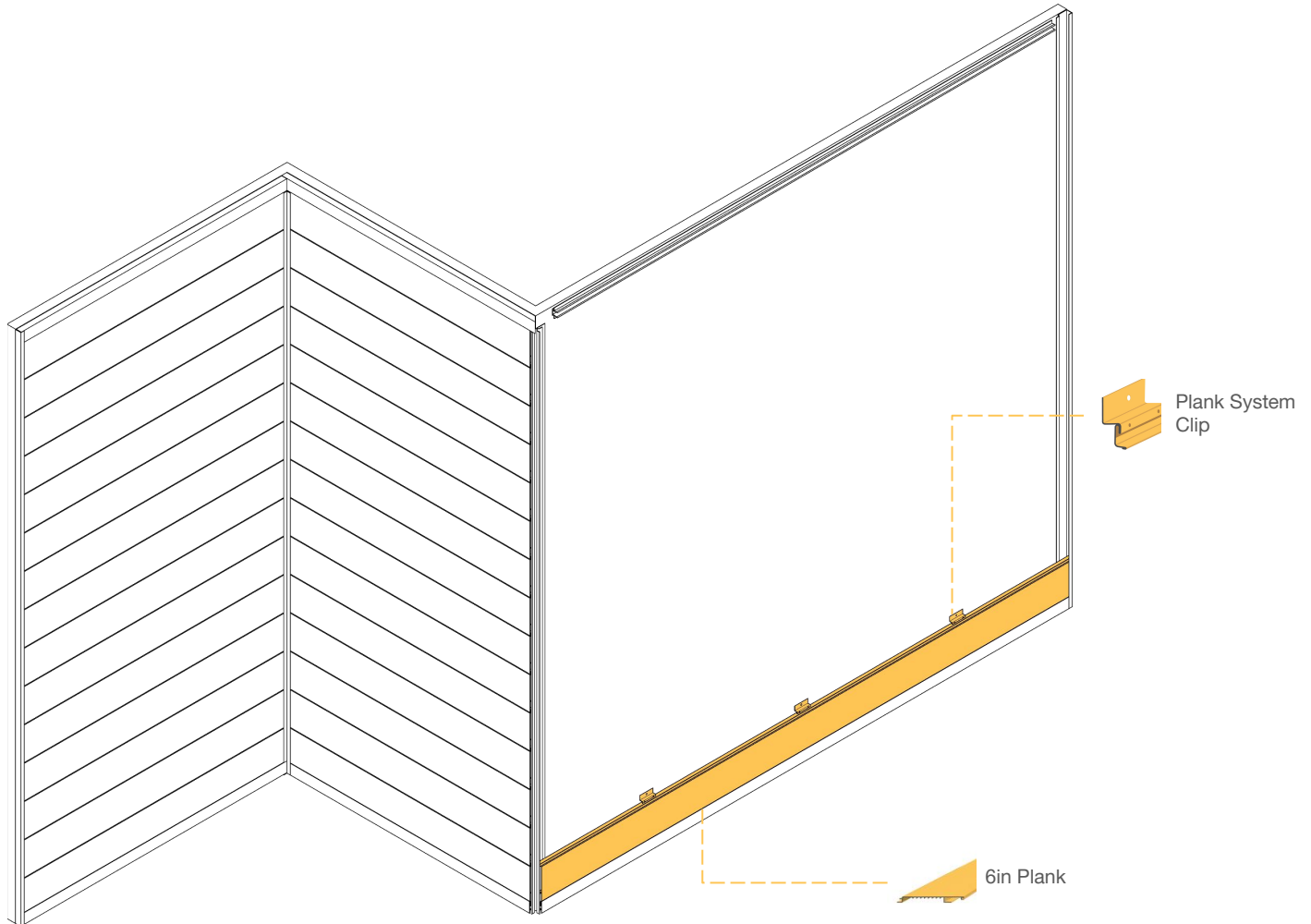
Engage the flat cap only where the back plate is present. Impacting the flat cap in the voids, i.e., between the back plates, will cause deformation of the flat cap.

# 02



## Plank Install 05

Installing the planks.



A properly-cut plank should have a  $\frac{1}{8}$ " gap from the frame components on either side to allow for thermal expansion.

It is essential the first row of plank be tucked behind the vertical tab of the frame components so that the fastening tongue is pointed upwards and the groove is pointing downwards.

Once the plank has been fitted and leveled to an even plane, it will be secured by attaching an AL13® Plank System Clip to the upwards pointing tongue. Make sure the clip is fully inserted before adding fastener to the through-hole.

A clip and fastener are to be attached to each plank once every 32" **max**.

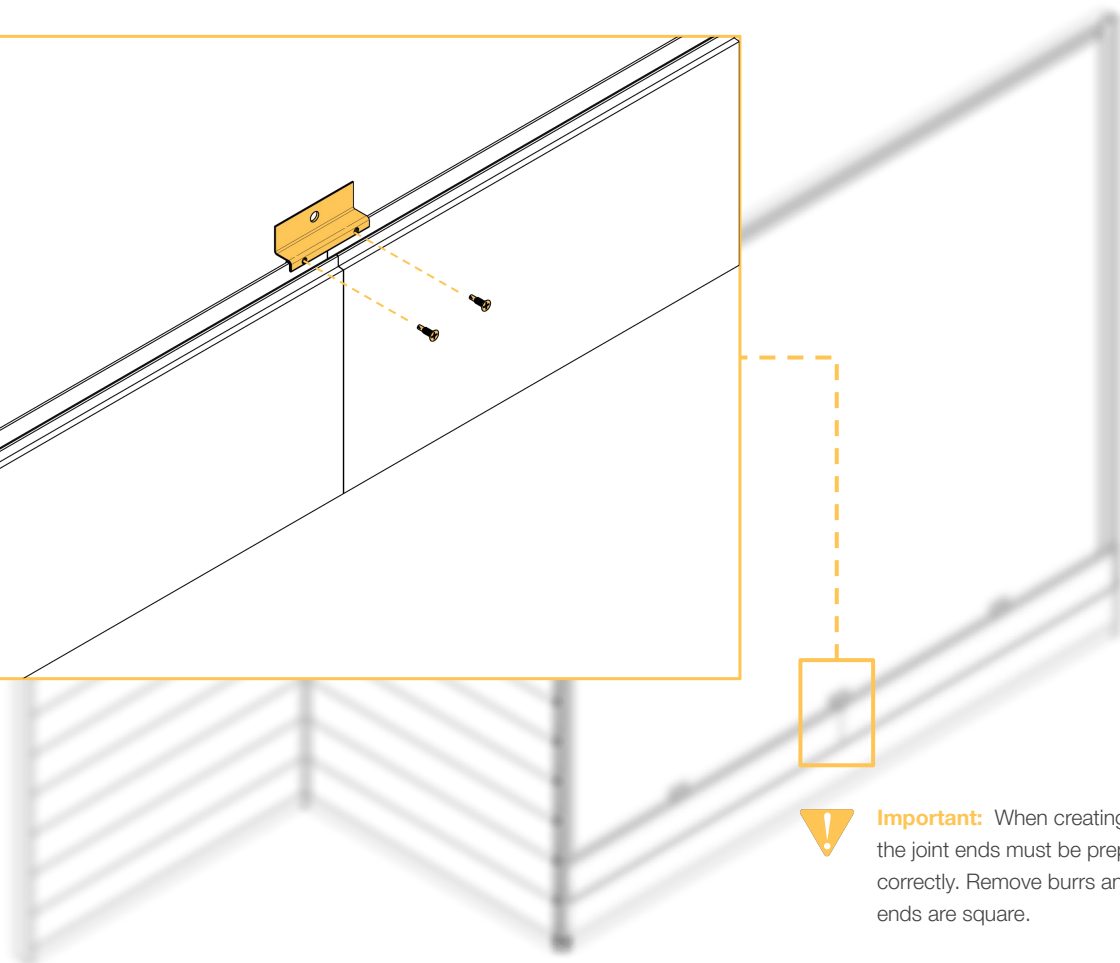
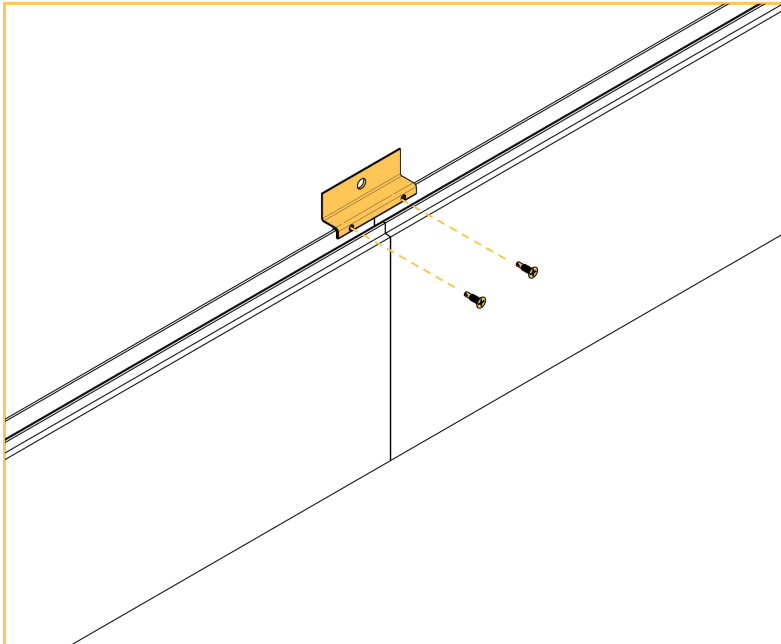
If the plank length is less than 32", a minimum of one system clip is required per plank.

# 02



## Plank Install 06

Joint Clip



**Important:** When creating a butt joint, the joint ends must be prepared correctly. Remove burrs and ensure the ends are square.

The maximum consecutive run of planks will be 24' without a vertical brake (e.g., end frame, flat cap, or reveal cap). If the required length exceeds 12', joining two planks together will be required. A Plank Joint Clip is to be used at the seam of the butt joint to ensure a precision fit.

For situations that require a staggered pattern, ensure that the joints do not intersect.

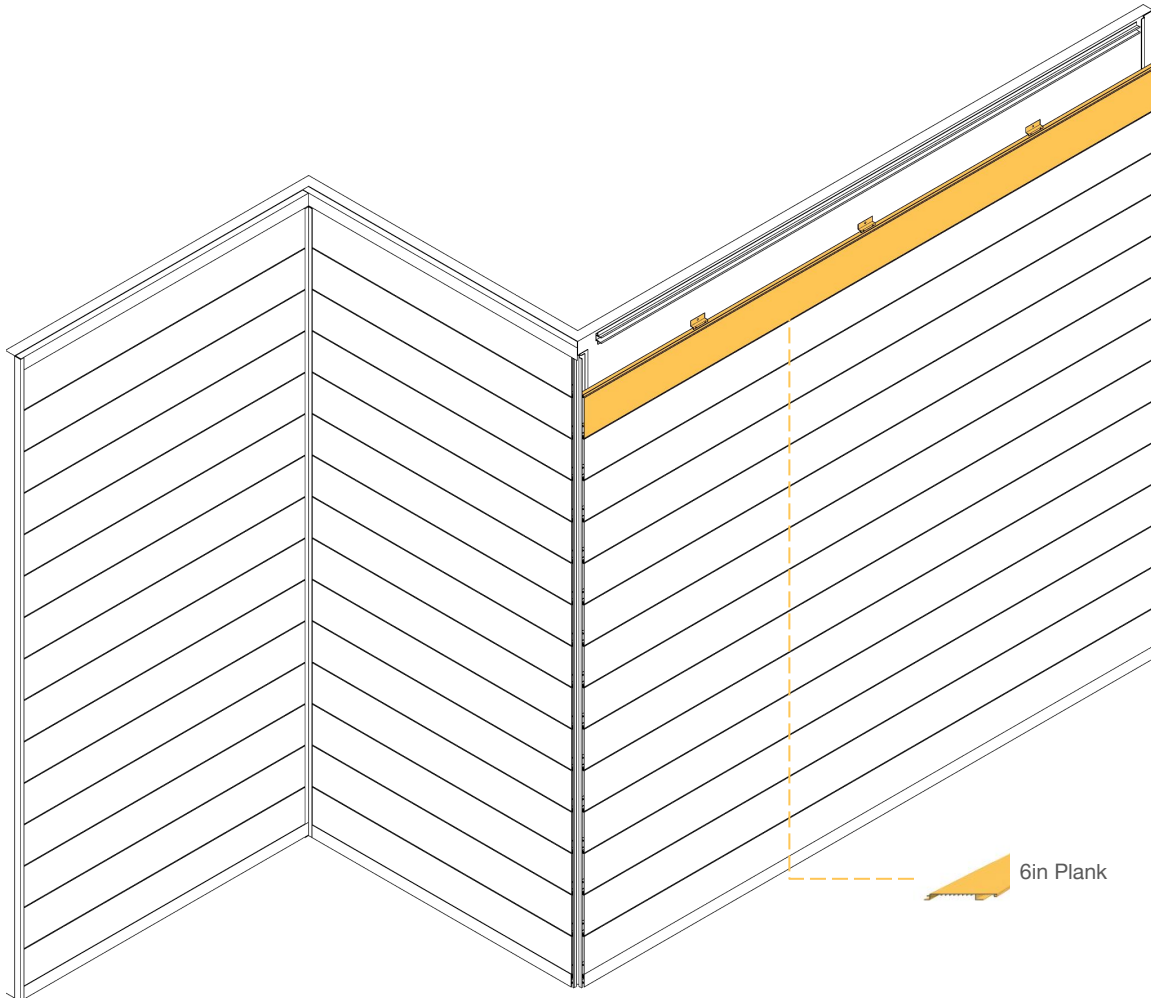


# 02



## Plank Install 06

Install the final row of plank.



The second-last row of plank is the last row that requires Plank System Clips to be installed.

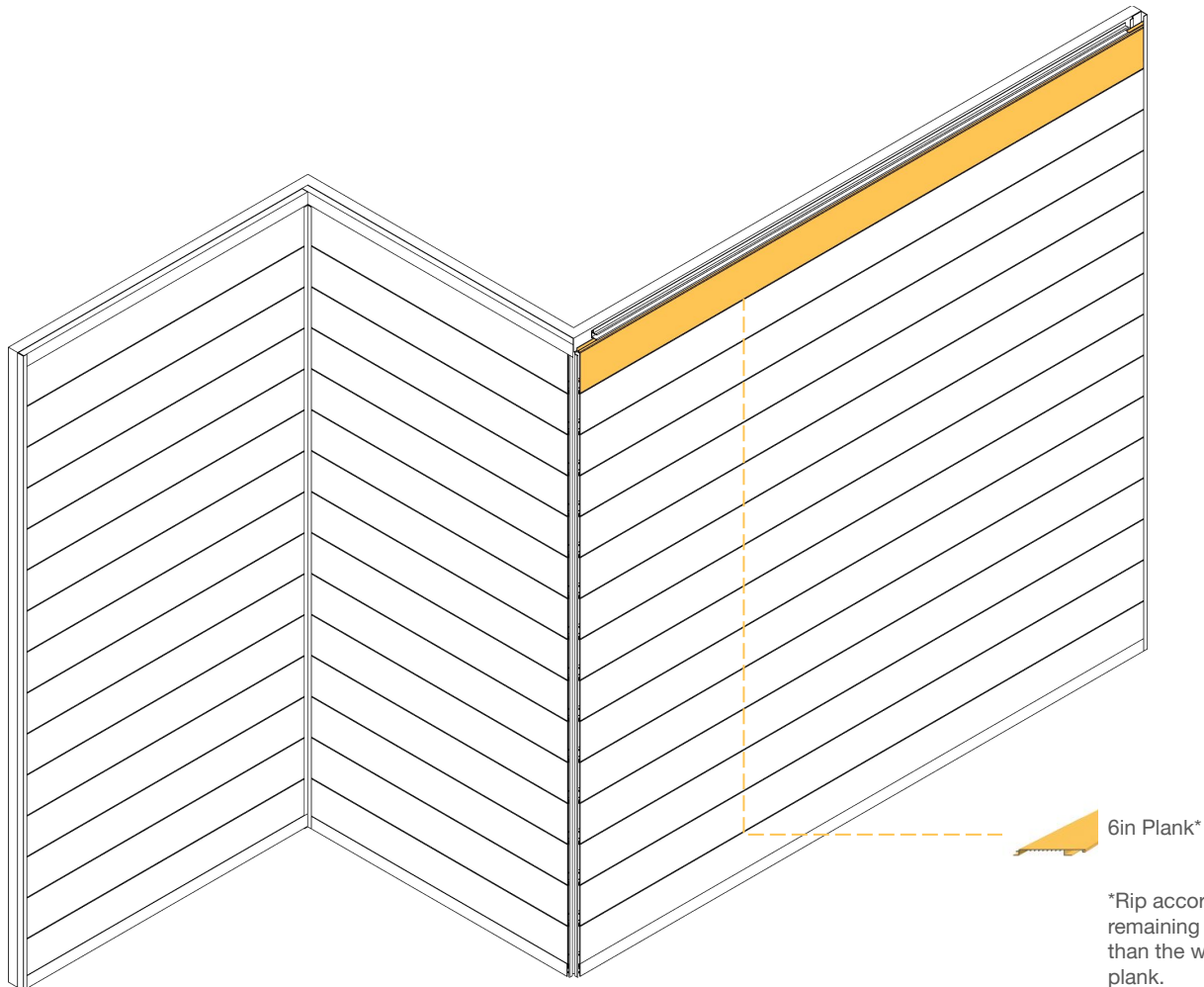
The top or final row of plank does not require Plank System Clips since it will be supported by a top cap.

# 02



## Plank Install 07

Determine the final plank width required to terminate at the top of the wall.



The final or top row to be installed may require the plank to be ripped to width by a table saw to its appropriate dimension. Due to this, the top row's installation may vary from the regular installation.

If it is required to rip the plank down to a narrower width, the tongue side of the plank is to be removed. In this case, the top row of plank is secured by engaging the perimeter flat cap on to the perimeter back plate.

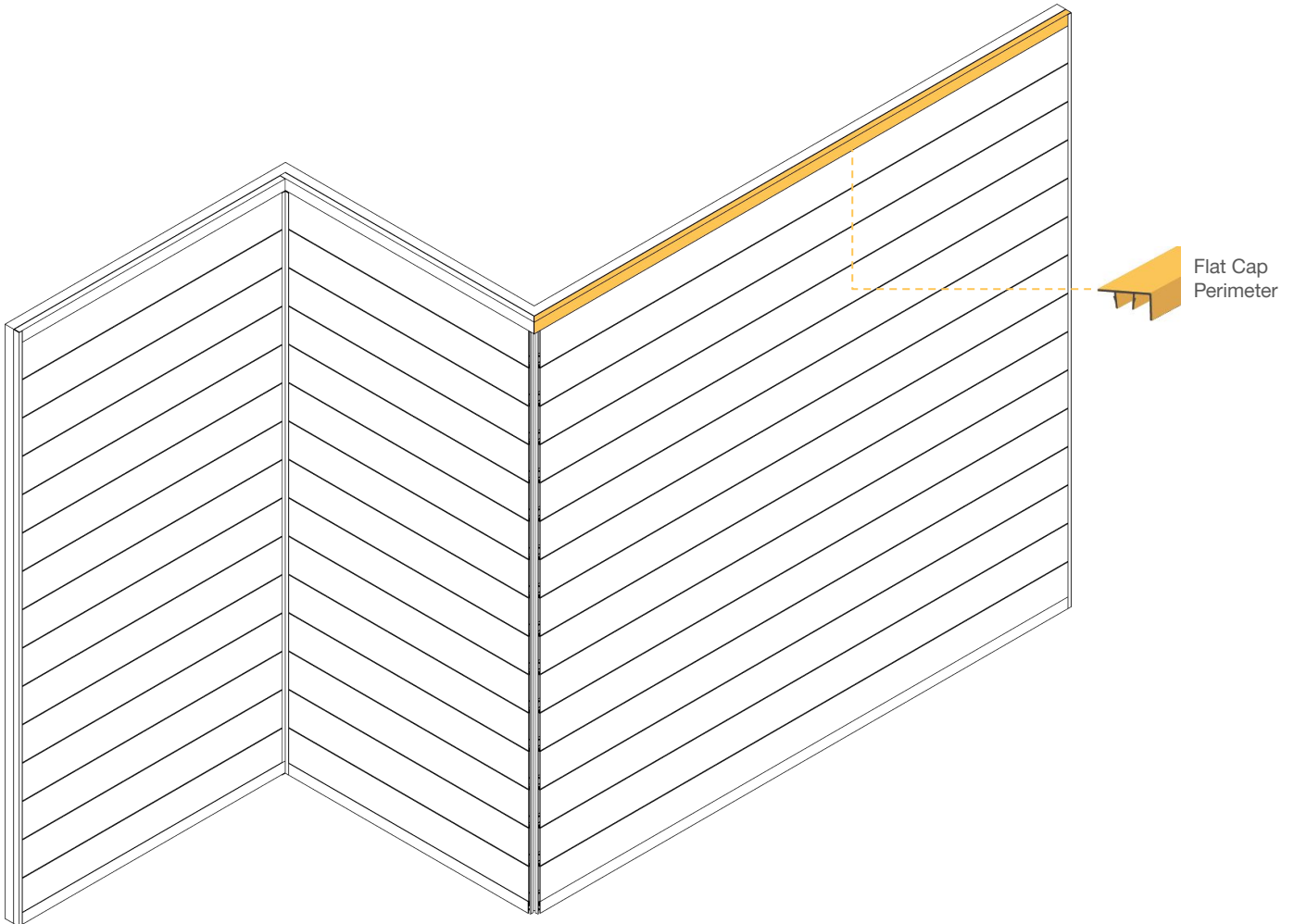
See the Installation Guidelines section for details (p.9).

# 02



## Plank Install 08

Install the top cap for the final row of plank.



To secure the final row, a perimeter flat cap must be cut to length to fit behind the vertical frame extrusions. A proper fit should allow for a  $\frac{1}{8}$ " gap on either side to allow for thermal expansion and contraction.

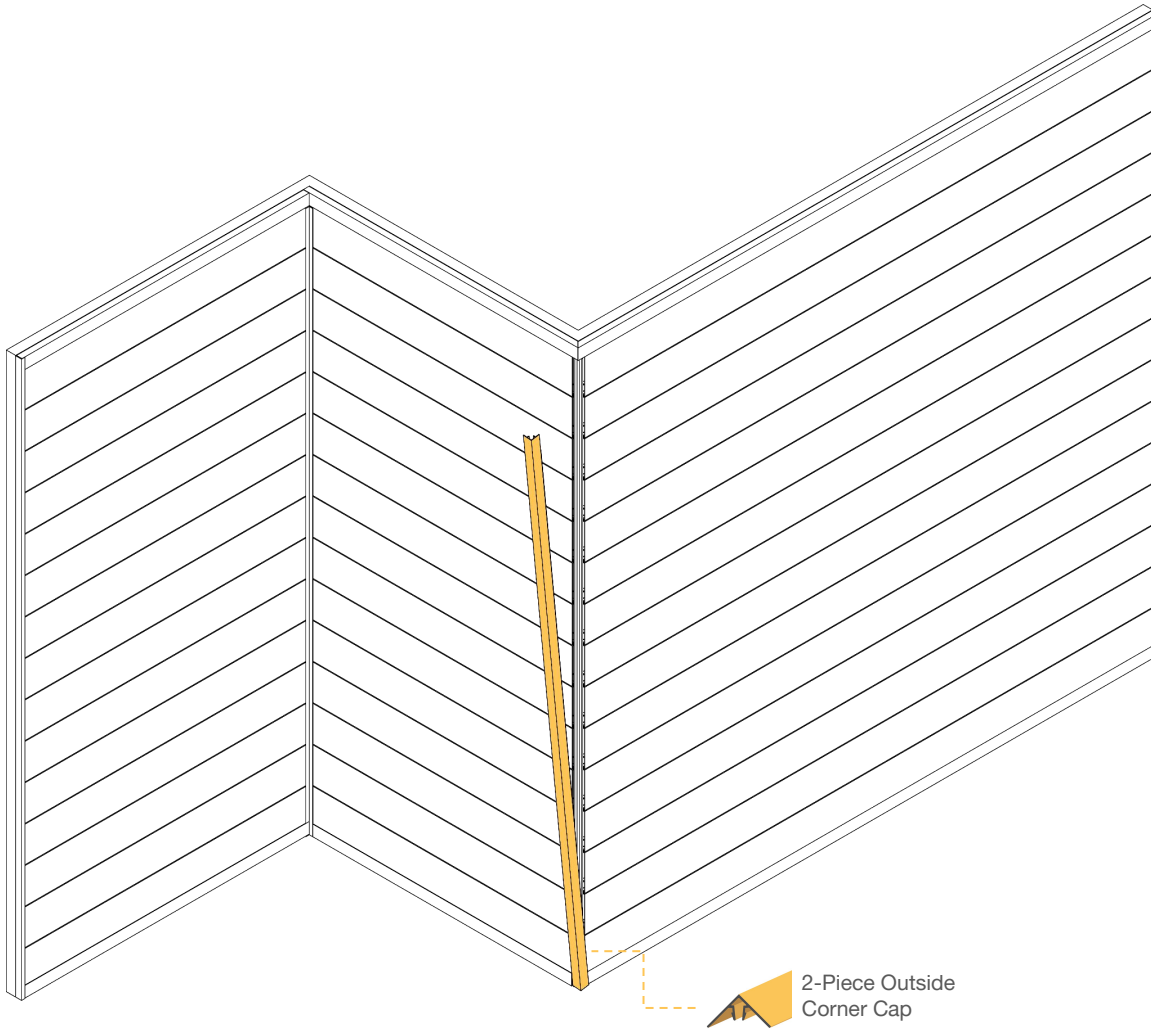
The perimeter flat cap should be hammered in place using an AL13® SLED with a rubber mallet.

# 02



## Plank Install 09

Install Outside Corner Cap



To complete the wall assembly, install the outside corner cap.



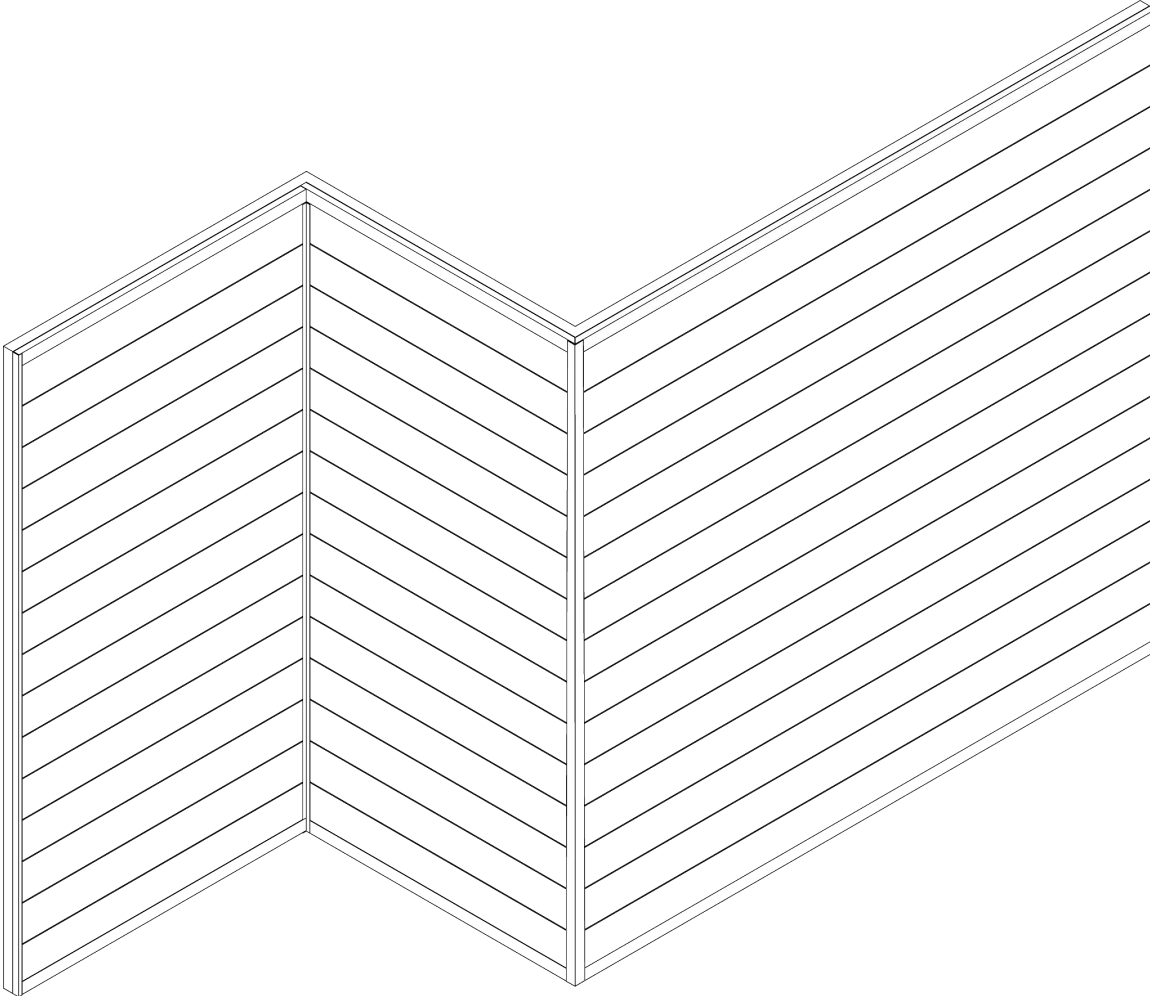
**Important:** Install the outside corner cap with the 2OC SLED. See previous section for details.

# 02



## Plank Install 10

Wall installation is complete.





**AL13® Product Warranty**

AL13® plank system- 15 YEAR LIMITED PRODUCT WARRANTY, when properly installed and maintained according to the published application. Product is warranted for a period of fifteen (15) years from the date of installation from physical defects. Registration of the product is required for the warranty to be in effect. This warranty is valid for the original customer. This warranty provides the following coverage: (a) splitting or cracking of the product, sustained excessive deformation of the product under normal conditions of use and (b) to be free of any buckling of the product itself that is not associated with the substrate and/or structure to which the AL13® plank system is attached. For the purpose of this warranty, buckling shall be defined as warping of the product(s) exceeding one eighth of an inch out of plane per linear foot. If AL13®, after inspection and verification, determines that the product failed under the terms of this limited warranty, the sole and exclusive remedy follows: within a reasonable amount of time after the inspection, repair or replace (at AL13®'s discretion) the defective portion of the product, or may refund the owner for the product(s) affected area, and a reasonable cost of installation. During the warranty period following installation, AL13® will compensate the customer for correcting the affected area(s) (limited to no more than the original cost of installation) until the end of the limited warranty period for the affected area(s).

**Wet Coat Finish Warranty**

AL13® - 20 YEAR LIMITED FINISH WARRANTY. AL13® hereby warrants that all finishes on the coated aluminum for twenty (20) years from the date of purchase will not under normal atmospheric conditions: (a) peel, check or crack except for such slight crazing or cracking as may occur on certain areas of the panel; or (b) (1) chalk in excess of a numerical rating of 8 measured in accordance with the standard procedures as outlined by the "Standard Methods of Evaluating Degree of Chalking of Exterior Paint" - ASTM D4214-89; or (2) fade or change in color in excess of 5 color difference units, using ASTM D2244-89 measured on the exposed painted surfaces which have been cleaned of external deposits and chalk and the corresponding values measured on the original or unexposed painted surfaces. The foregoing being subject to the understanding that fading or color changes may not be uniform if the surface is not evenly exposed to the sun and elements; and that gloss (60° incident angle) loss will not exceed 40% when measured on exposed painted surfaces which have been cleaned of external deposits and the corresponding values measured on unexposed original painted surfaces. The gloss shall be measured using standard procedures as defined by "Standard Test Method for Specular Gloss" - ASTM D523-89.

**Woodgrain / Solid Color/ Powder Coat Finish Warranty**

AL13® - 15 YEAR LIMITED FINISH WARRANTY. AL13® hereby warrants that all finishes on the product coated for fifteen (15) years from the date of purchase will not fade in color more than five units as measured by hunter lab color difference as set forth in ASTM D2244 section 6.3 as of the application date and in such way as to significantly adversely affect the appearance of the surface to which the product has been applied and result in damage to the surface. Coated surface will exhibit gloss retention of a minimum of 50% of the original as measured in accordance with ASTM D523 using 60 degree reading. In addition, coating shall not chalk in excess of standard number 8 as illustrated in the ASTM D64214 test method. Coatings when applied and cured on a clean, pretreated substrate will not peel, chip, crack or blister.

**Finish Warranty Conditions**

The AL13® finish warranty is subject to the following conditions. (a) The warranty only applies under normal atmospheric conditions and excludes corrosive or aggressive atmospheres such as those contaminated with chemical fumes, salt or other corrosive elements, including areas within 305 meters (1000 feet) of a body of salt water. AL13® recommends a fresh water cleaning/maintenance program be in effect to prevent corrosion from accumulated deposits. (b) The warranty will not apply to any coated surface, which is not on the exterior surface of a building. (c) The warranty will not extend or cover: (1) damage to the coating occasioned by moisture or other contamination detrimental to the coating because of improper storage of the coated metal prior to installation; (2) water damage due to condensation caused by improper packaging of the coated metal prior to installation; (3) damages to the coated metal caused by handling, shipping, processing and/or installation; (4) damages to the coated metal caused by scratching or abrading after installation; or (5) damages to the coated metal as a result of standing water in horizontal installations. (d) The warranty will not be applicable to damage or failure, which is caused by acts of God, falling objects, external forces, explosions, fire, riots, civil commotions, acts of war, or other such similar or dissimilar occurrences beyond AL13®'s control. (e) Customer shall maintain adequate records to establish identification of the coated material and dates of the installation of the coated metal. (f) Customer shall demonstrate that the failure of the coated metal was due to a breach of the warranty stated herein. (g) AL13®'s exclusive liability under this warranty, or otherwise, will be limited to refinishing, repairing or replacing - at AL13®'s sole option - the defective coated metal. The warranty on any refinished, repaired or replaced coated metal supplied hereunder shall be for the remainder of the warranty period applicable to the originally coated metal. All warranty work will be performed by a company or contractor selected by AL13®, including the initial inspection to verify the claim. Color variance between replacement or repainted product and original shall not be indicative of a defect.

**Disclaimer of Implied Warranties & Limitations of Remedies**

THE LIMITED WARRANTIES STATE THE ENTIRE LIABILITY OF AL13® WITH RESPECT TO THE PRODUCTS COVERED BY THEM. AL13® SHALL HAVE NO LIABILITY FOR ANY INDIRECT, SPECIAL, INCIDENTAL OR CONSEQUENTIAL DAMAGES EVEN IF AL13® WAS ADVISED OF THE POSSIBILITY OF SUCH DAMAGES. NO PERSON IS AUTHORIZED TO MAKE ANY REPRESENTATION OR WARRANTY ON BEHALF OF AL13® EXCEPT AS EXPRESSLY SET FORTH ABOVE, AND ANY SUCH STATEMENT SHALL NOT BE BINDING ON AL13®, EXCEPT AS EXPRESSLY SET FORTH ABOVE, AL13® MAKES NO WARRANTY, REPRESENTATION OR CONDITION OF ANY KIND, EXPRESS, IMPLIED, STATUTORY OR OTHERWISE, INCLUDING, WITHOUT LIMITATION, ANY IMPLIED WARRANTY OF MERCHANTABILITY OR FITNESS FOR A PARTICULAR PURPOSE. WARRANTIES SHALL BE THE DURATION OF THE LIMITED WARRANTY OR SUCH SHORTER DURATION AS PROVIDED UNDER APPLICABLE LOCAL LAW. THESE LIMITED WARRANTIES GIVE SPECIFIC LEGAL RIGHTS, AND CUSTOMER MAY ALSO HAVE OTHER RIGHTS WHICH VARY FROM AREA TO AREA. The limited warranties will be governed by and construed in accordance with the laws of the Province of British Columbia and the laws of Canada applicable therein, excluding the United Nations Convention on Contracts for the International Sale of Goods. Any claims, demands or causes of action for defects or representations of any nature or damages arising from such defects or representations shall be subject to the exclusive jurisdiction of courts located in the Province of British Columbia. CUSTOMER ACKNOWLEDGES AND AGREES TO THE FULLEST EXTENT PERMITTED BY LAW THAT AL13®'S AGGREGATE LIABILITY TO CUSTOMER FOR ANY CLAIMS, LOSSES, COSTS, DAMAGES OR CLAIMS EXPENSES FROM ANY CAUSE(S) (INCLUDING LEGAL FEES AND COSTS AND EXPERT WITNESS FEES AND COSTS), SHALL NOT EXCEED THE CONTRACT PRICE PAID BY CUSTOMER. THIS LIMITATION APPLIES TO ANY LIABILITY OR CAUSE OF ACTION, WHETHER BASED ON CONTRACT, TORT (INCLUDING THEORIES OF NEGLIGENCE, RECKLESSNESS, STRICT LIABILITY, OR DEFECTIVE PRODUCT LIABILITY) OR ANY OTHER LEGAL THEORY. THIS DISCLAIMER AND EXCLUSION SHALL APPLY EVEN IF THE EXPRESS WARRANTY SET FORTH ABOVE FAILS OF ITS ESSENTIAL PURPOSE. CUSTOMER ACKNOWLEDGES AND AGREES THAT AL13® HAS SET ITS PRICES IN RELIANCE UPON THE DISCLAIMERS OF WARRANTY AND THE LIMITATIONS OF LIABILITY SET FORTH HEREIN, REFLECTING AN ALLOCATION OF RISK BETWEEN THE PARTIES (INCLUDING THE RISK THAT A REMEDY MAY FAIL OF ITS ESSENTIAL PURPOSE AND CAUSE CONSEQUENTIAL LOSS), AND THAT THE SAME FORM AN ESSENTIAL BASIS OF THE BARGAIN BETWEEN AL13® AND CUSTOMER.

**Limitations**

THE LIMITED WARRANTIES ARE SUBJECT TO THE FOLLOWING GENERAL PROVISIONS AND LIMITATIONS. The limited warranties are effective only if there is proper storage, handling, installation and maintenance of the product in strict accordance with the instructions. Claims must be made in writing to AL13® within 30 days of the discovery of a problem and authorization obtained prior to beginning any repair or replacement work. The claimant must provide proof that he / she is a covered person. Claims can be made by writing to AL13® at the Product Performance Department. After receiving such notice, AL13® must be given an opportunity to inspect and verify the claim. AL13® shall have no liability for defects or damage resulting from (a) misuse or abuse, (b) improper installation, including, but not limited to, inadequate protection against all external damage, (c) performance of coating other than those covered by the limited warranties, (d) contact with harmful chemicals, fumes, or vapors, (e) settlement, shrinkage or distortion of the structure, or (f) fire, wind, flood, lightning, acts of God or other causes beyond the control of AL13®. AL13® shall have no liability for the cost of removing affected products.

**Project Details**

<b>Owner Full Name:</b>	<b>Install completed on:</b>
<b>Owner Phone Number:</b>	<b>Installer:</b>
<b>Owner Contact Email:</b>	<b>Architect:</b>
<b>Project Name:</b>	<b>General Contractor:</b>
<b>Address:</b>	<b>Supplier:</b>
<b>City:</b>	<b>Submitted on:</b> 2021-3-17 1:34pm
<b>State/Country:</b>	<b>Submitted by:</b>