

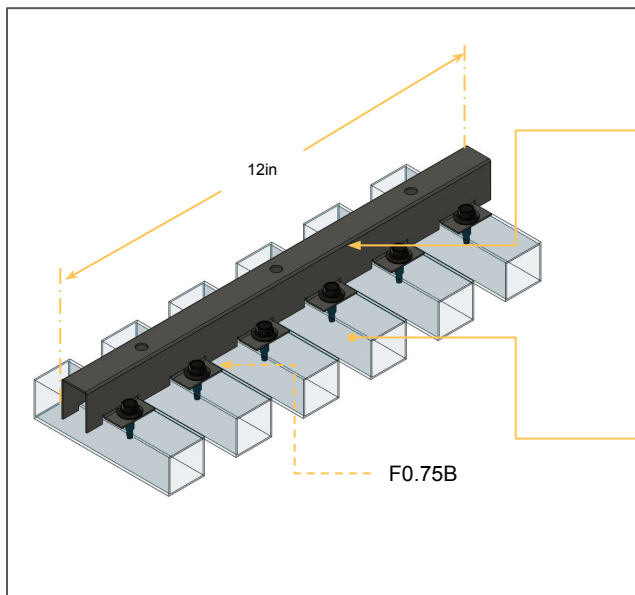
AL13 Batten System Configuration Data Sheet

Batten Size: 1in Wide x 1in Deep

Batten Gap: 1in Gap

Installation: Ceiling (T-Bar Ceiling Framing)

Component Specifications:



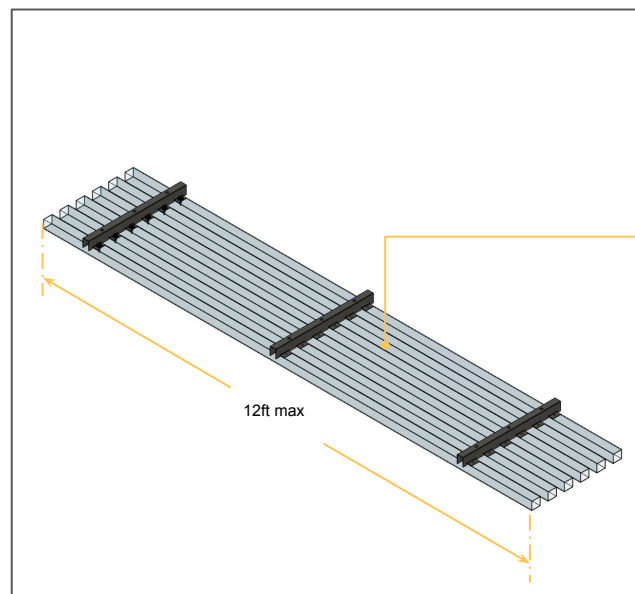
B11 Bracket

Material	Galvanized Steel
Dimensions	12in Wide
Finish	G100/Powder Coat

T11 Batten

Material	Al6063-T5
Dimensions	1in Wide x 1in Tall
Finish	AAMA2604/AAMA 2605 Woodgrain or Solid Colour

Specifications as Configured:



Batten Panel Configuration: B11 + T11

Batten Panel Total sqft	12ft long max by 1ft wide
Battens per Panel	6 battens
Brackets per Panel	3 battens minimum at max length
Batten Panel Weight, as Configured	21lb at max length
Batten Panel Weight, per sqft	1.75lb/sqft

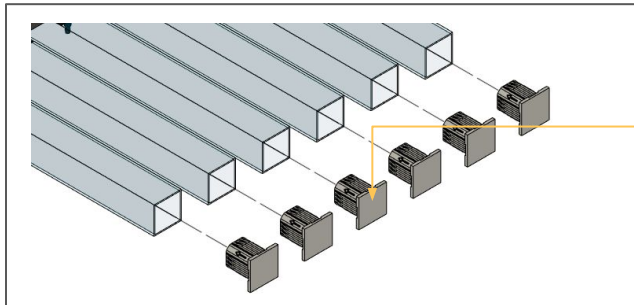
AL13 Batten System Configuration Data Sheet

Batten Size: 1in Wide x 1in Deep

Batten Gap: 1in Gap

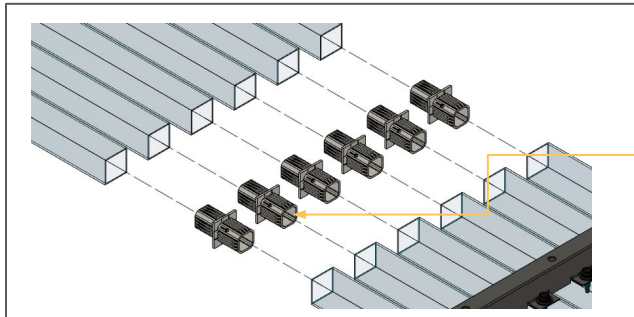
Installation: Ceiling (T-Bar Ceiling Framing)

Compatible System Components:



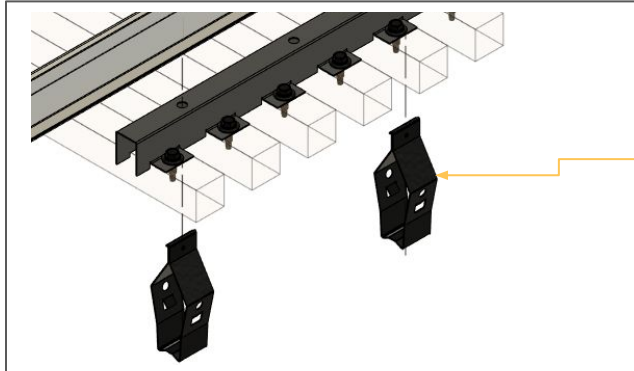
P11 End Plug

Material	PE with UV Coating
Dimensions	1in x 1in
Finish	Brown/Black



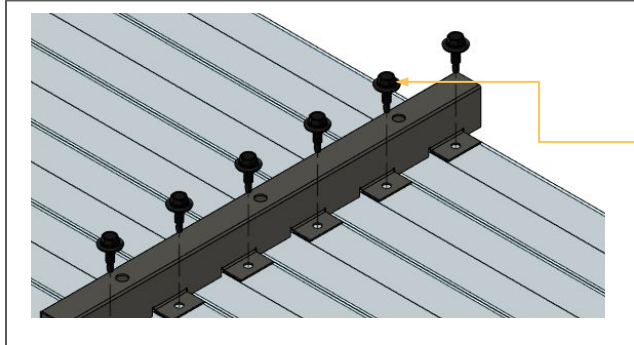
C11 Coupler

Material	PE with UV Coating
Dimensions	1in x 1in
Finish	Brown/Black



BC1 Ceiling T-Bar Clip

Material	Galvanized Steel
Dimensions	1in Wide
Finish	G100/Black Powder Coat



F0.75B Batten Fastener

Material	Carbon Steel
Thread	#10-16 Sheet Metal Screw with EPDM Washer
Finish	Corrosion resistant with Black Powder Coated Head

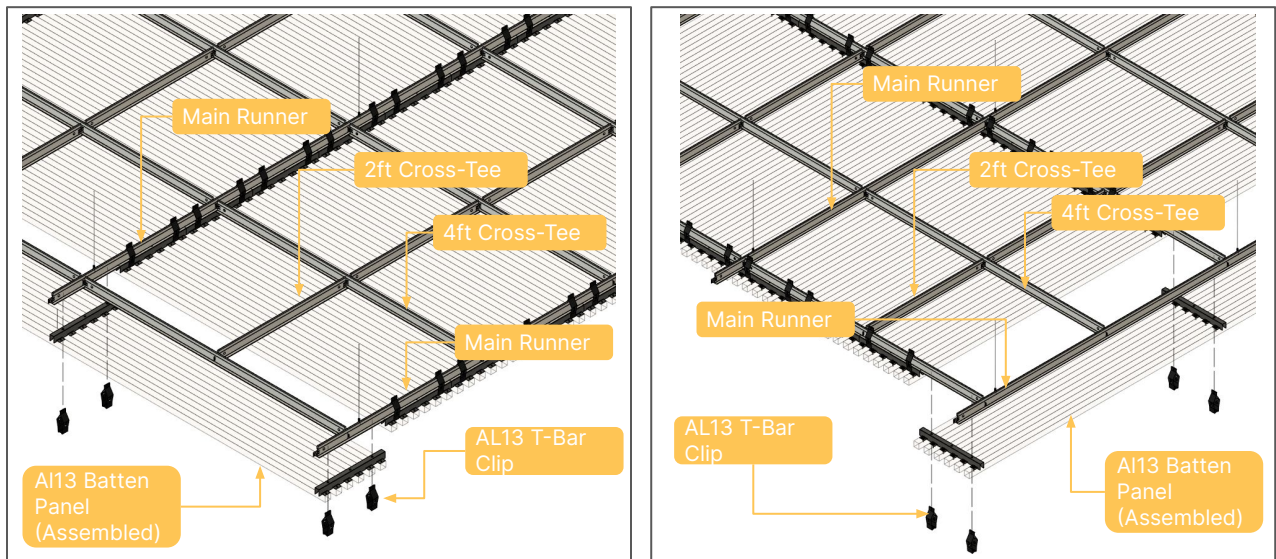
AL13 Batten System Configuration Data Sheet

Batten Size: 1in Wide x 1in Deep

Batten Gap: 1in Gap

Installation: Ceiling (T-Bar Ceiling Framing)

Typical Installation:



Loading Distribution

Loading per Batten Panel (12ft x 1ft)			Loading along 12ft T-Bar Runner	
# of Brackets on Batten Panel	Bracket Location	Loading per Bracket	# of Brackets along 12ft T-Bar	Loading per 12ft T-Bar
3	Every 4ft	7lb	12	84lb
4	Every 4ft	5.3lb	12	63lb
5	Every 2ft	4.2lb	12	50.4lb
7	Every 2ft	3lb	12	36lb